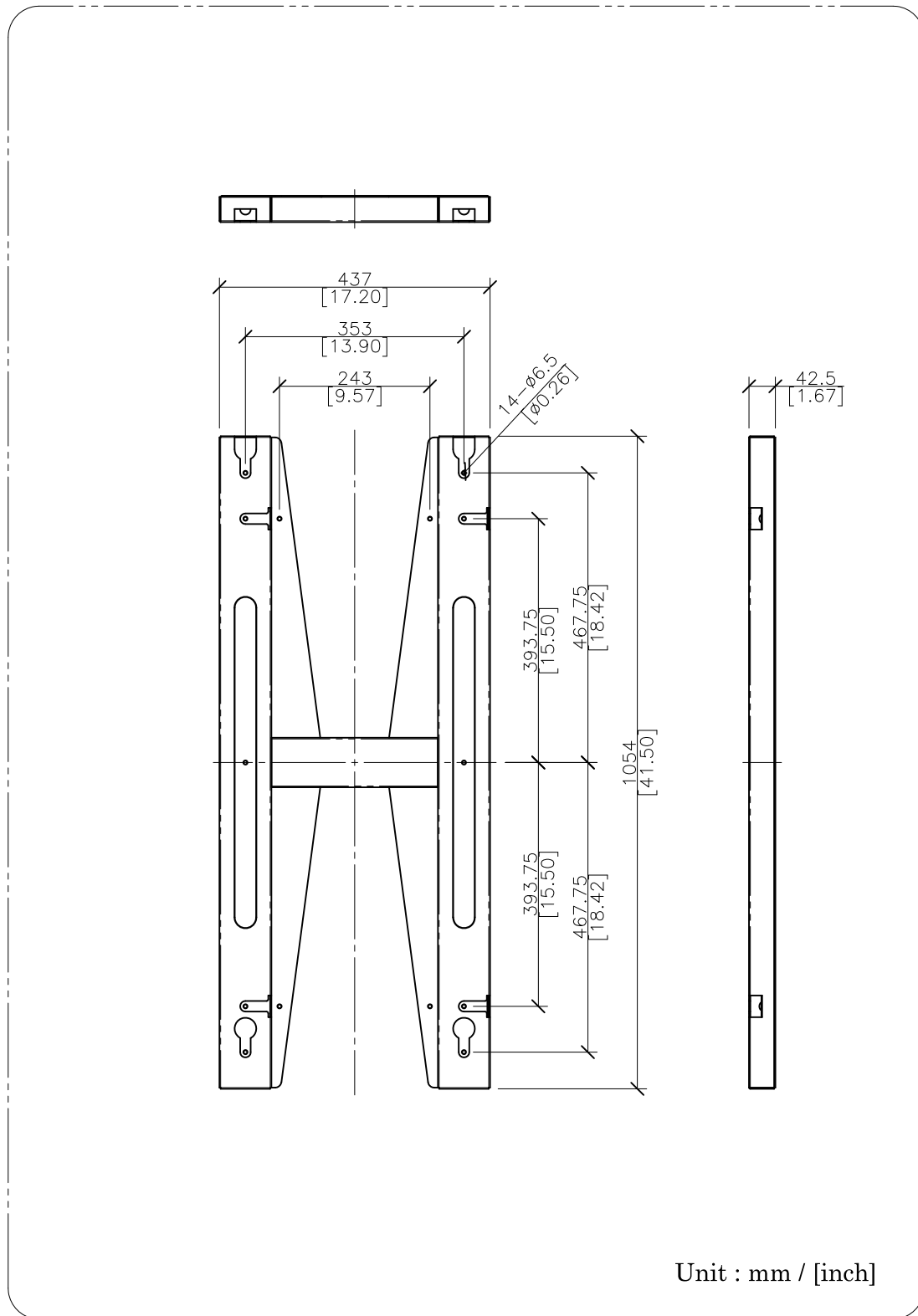


This drawing is the property of HYUNDAI IT CO.,LTD. and should not be disclosed to any third party without prior permission of HYUNDAI IT CO.,LTD..

A B C D E F G H I J

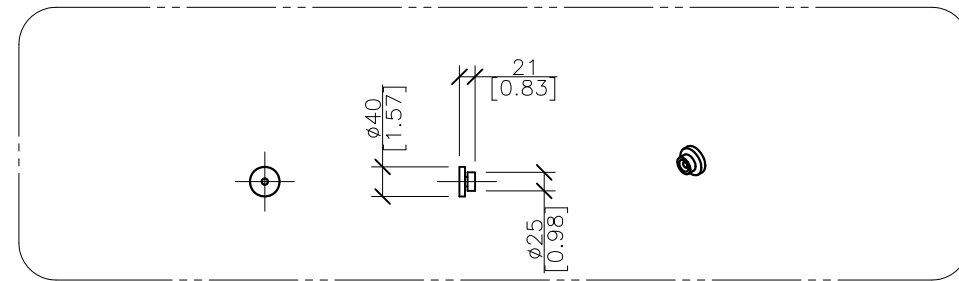
REV. NO		REV. HISTORY	LTR	ECO NO	DATE	APPR'L
DWG	PART					
00	00	INITIAL RELEASE	-	-	-	-

① WALL FRAME

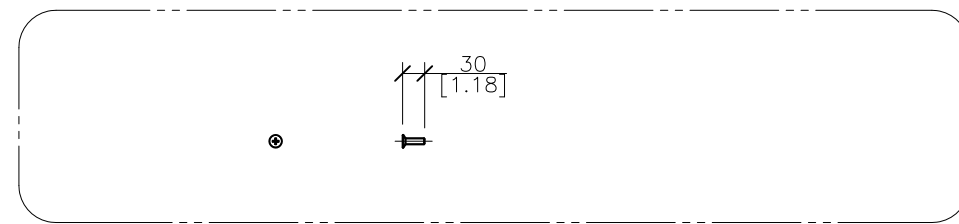


Unit : mm / [inch]

② WALL MOUNT HOLDER



③ M8 \* 30 Flat Screw



④ ANCHOR SCREW SET



④	ANCHOR SCREW SET	-	14 Set	-
③	M8 x 30 (Flat Screw)	SUS	4 Ea	-
②	WALL MONUT HOLDER	SUS	4 Ea	-
①	WALL FRAME BASE	SUS	1 Ea	-
PART NO	DESCRIPTION (MATERIAL)	MATERIAL	Q'Ty	REMARKS

PART NO. DESCRIPTION

DRAWN	PLANNED	CHECKED	APPROVED	UNLESS OTHERWISE SPECIFIED ALL DIMENSION ARE IN MILLIMETERS	ANGLE 3rd.	TITLE :	UNIT : mm
S.W.SEO	S.H.JANG	S.H.JANG	Y.T.KIM	TOLERANCES ARE : LINEAR : X ± 0.2 X ± 0.1 XX ± 0.01 ANGLES : ± 0.1° RADIH UNLESS NOTED : R 0.3	SCALE : 1/10	WALL FRAME ASSY ,H325MS/H327MS	TYPE : ASSY
'19.12.03	'19.12.03	'19.12.03	'19.12.03	MODEL NAME (CODE): H325MS/H327MS	CUSTOMER: HDIT	DWG REV : 00	SIZE : A3
<b>HYUNDAI IT CO., LTD.</b>				FILE NAME : 6101288300_WALL MOUNT ASSY H325M_H327M.DWG	DWG REV : 00	DWG(PART) NO. 6101288300	
					SHT NO : 1/1		