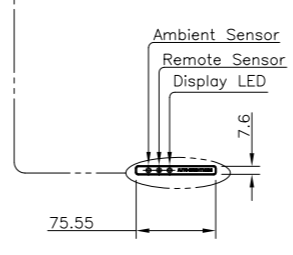
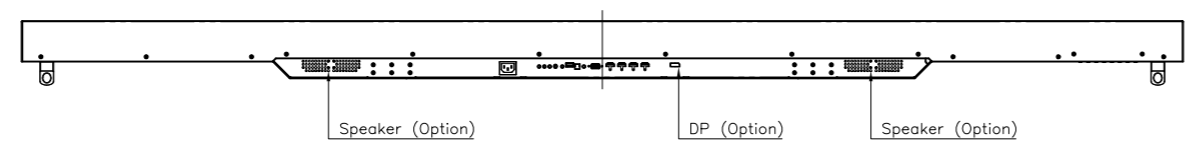
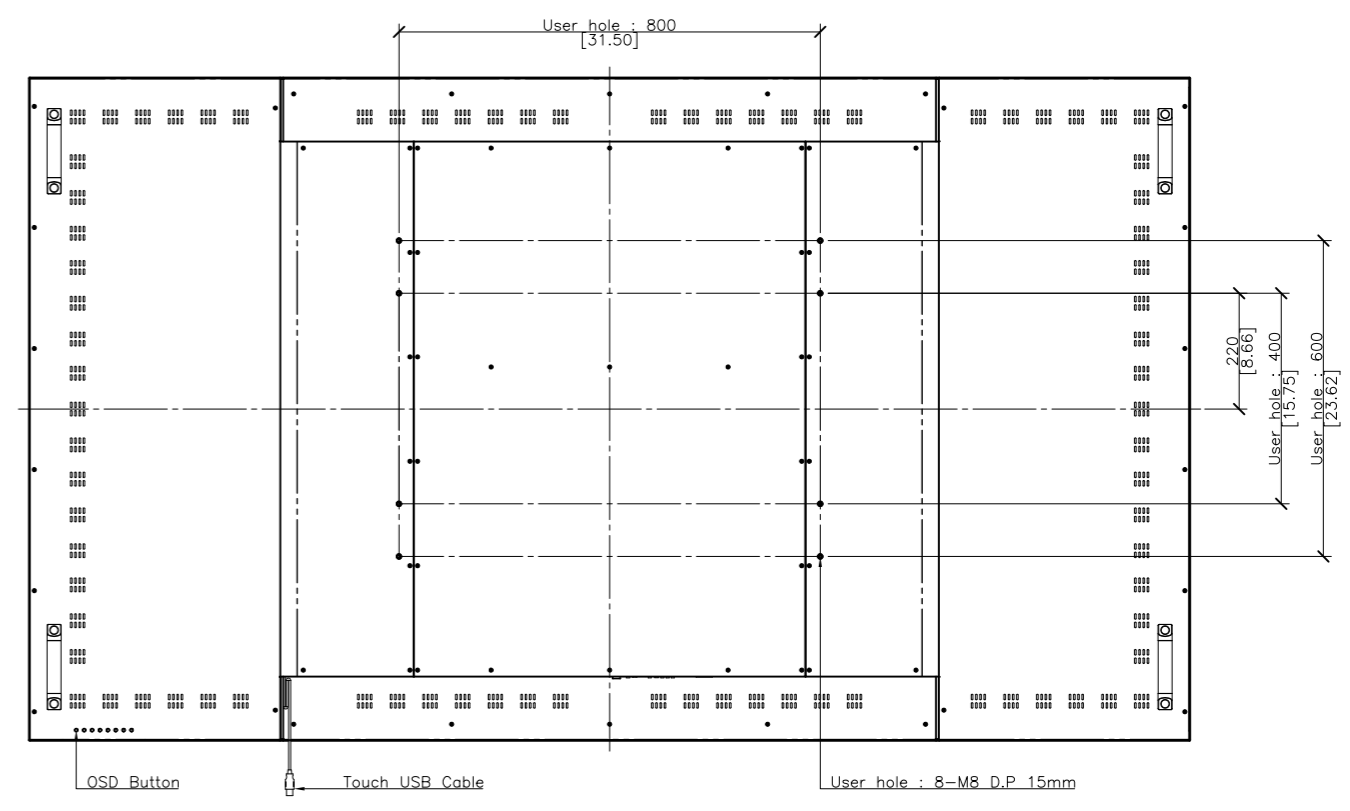
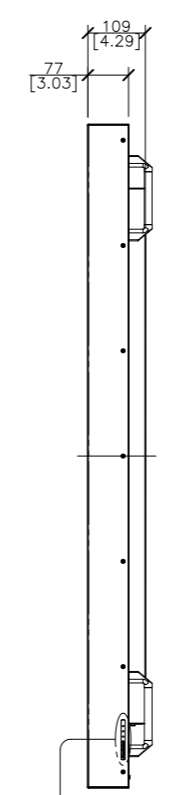
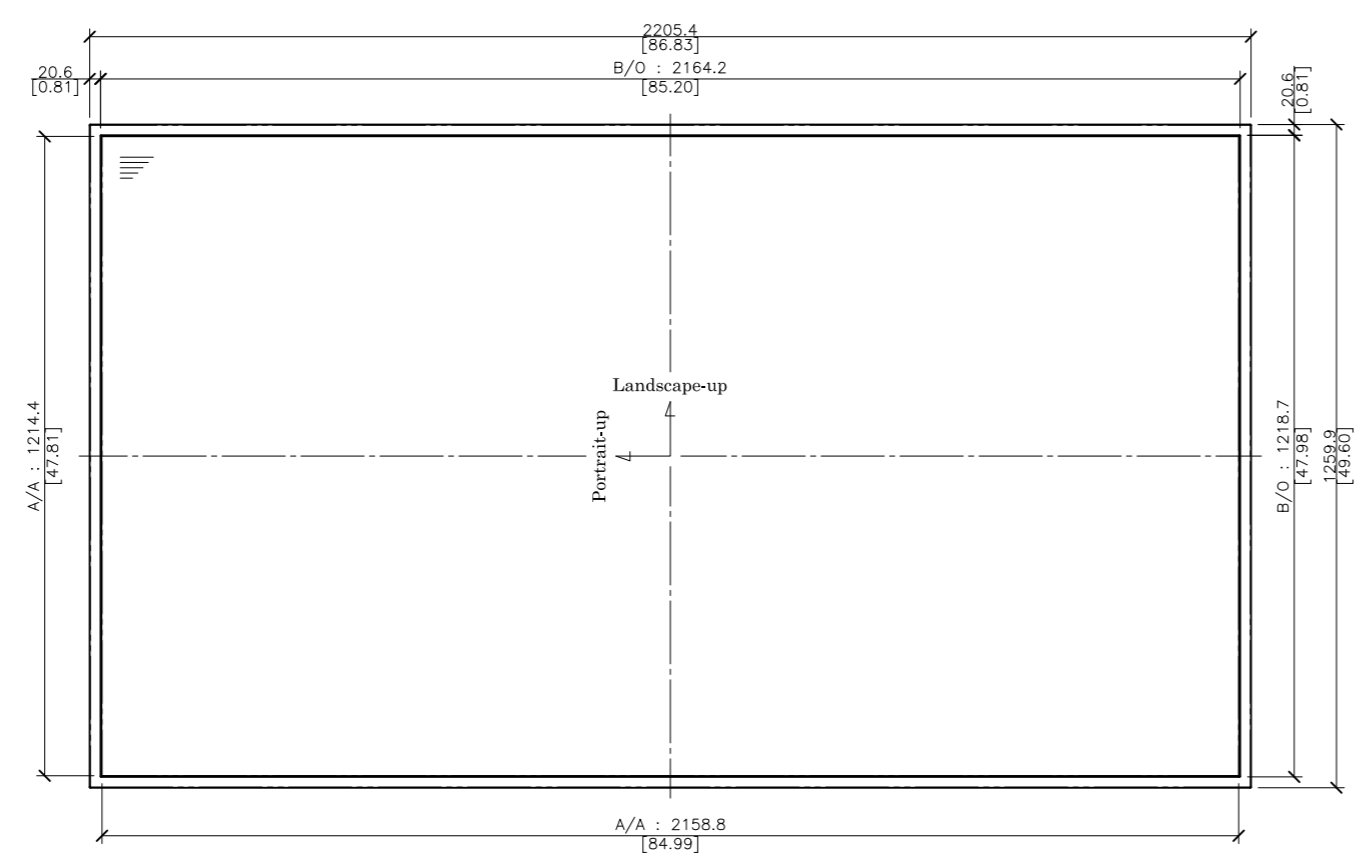
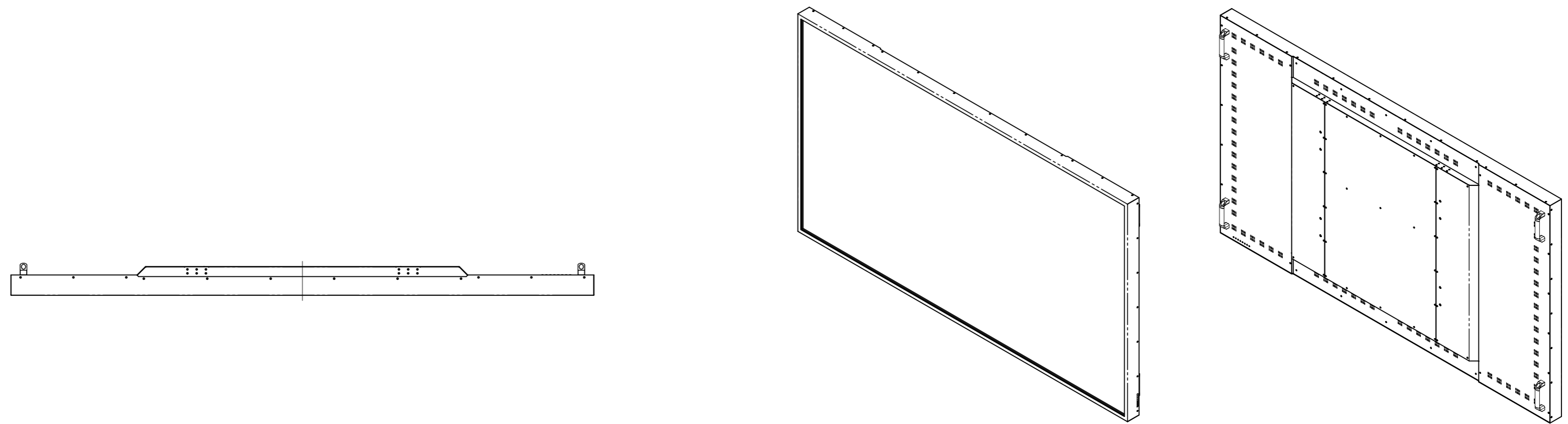


REV. NO	DWG PART	REV. HISTORY	LTR	ECO NO	DATE	APPRL
00	00	INITIAL RELEASE	-	-	-	-



- NOTES**
1. LCD Panel : 98"
 2. Tempered Glass : 5.0t
 3. Color : Black

DRAWN	PLANNED	CHECKED	APPROVED	UNLESS OTHERWISE SPECIFIED ALL DIMENSIONS ARE IN MILLIMETERS	ANGLE	TITLE	UNIT
S.W.SEO	S.H.JANG	S.H.JANG	Y.T.KIM	TOLERANCES ARE: ANGLES : X ± 0.1° X ± 0.1° RADIUS UNLESS NOTED : R 0.3	30°	D98XMNI EXTERIOR VIEW	mm
13.08.07	13.08.07	13.08.07	13.08.07			DWG(PART) NO. D98XMNI_001	mm
HYUNDAI IT CO., LTD.				MODEL NAME (CODE) D98XMNI	CUSTOMER HDT	DWG REV : 00	SIZE : A1
				FILE NAME : LAYOUT_D98XMNI_170807.DWG		SHT NO : 1/1	

This drawing is the property of HYUNDAI IT CO., LTD. and should not be disclosed to any third party without prior permission of HYUNDAI IT CO., LTD.