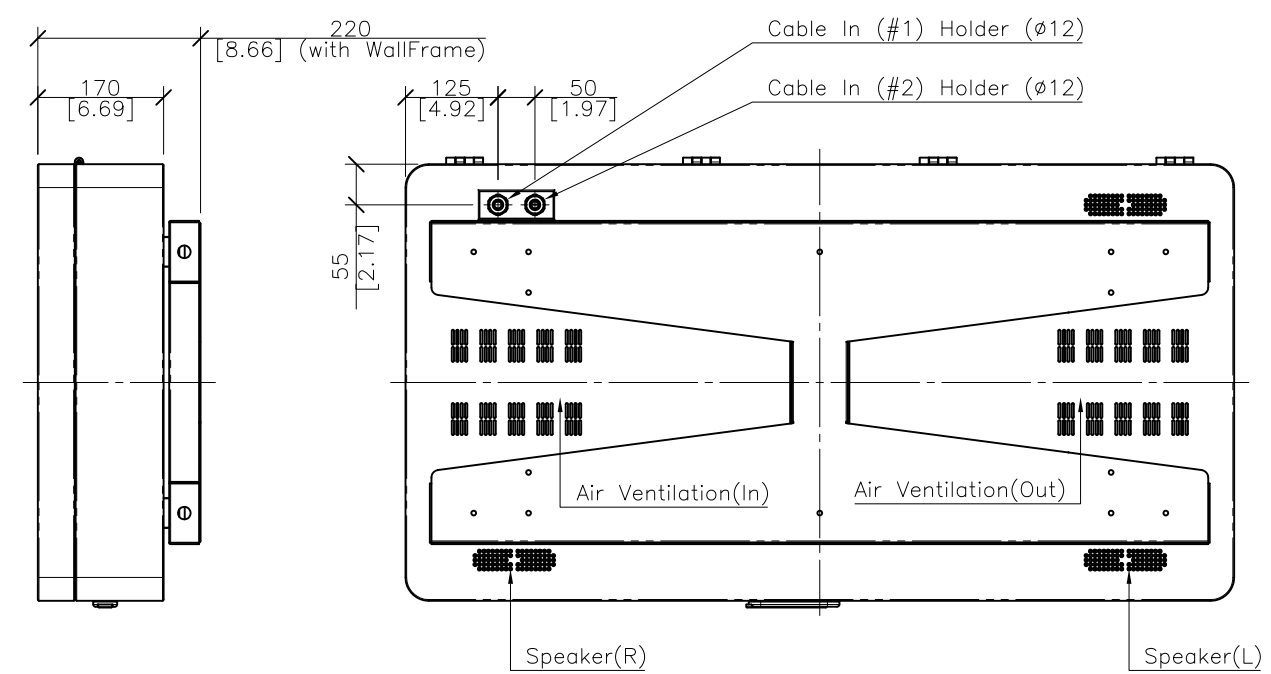
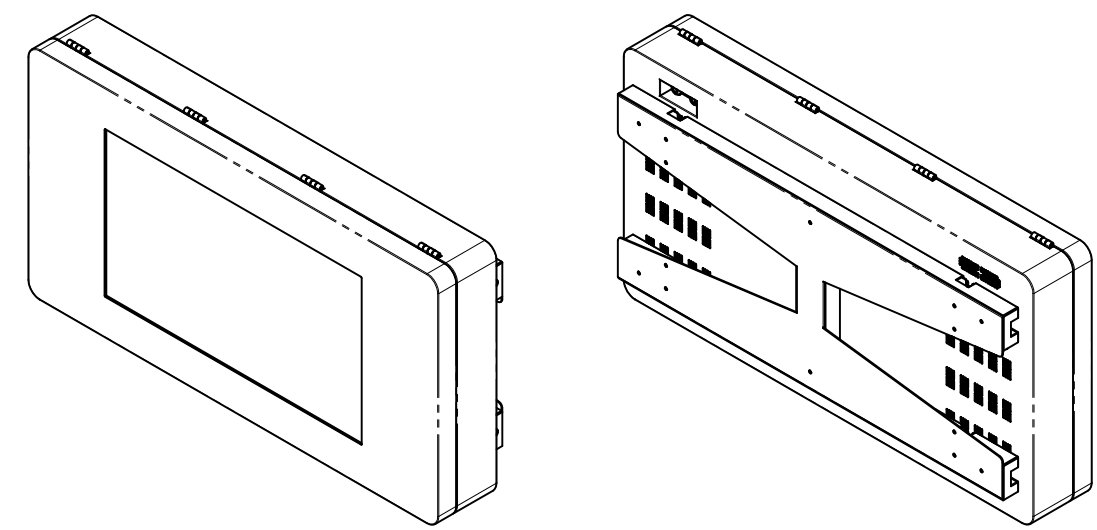
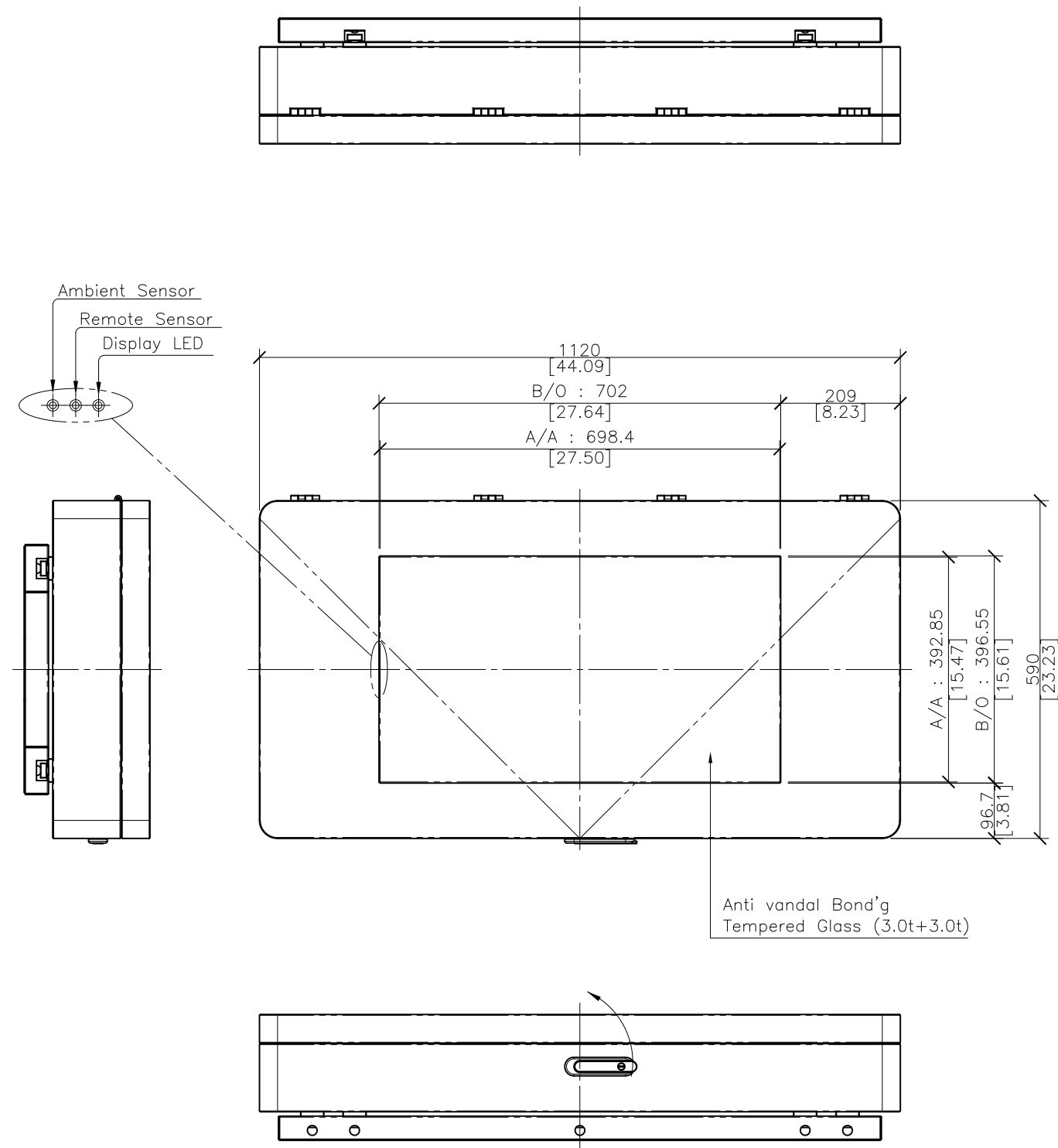


This drawing is the property of HYUNDAI IT CO.,LTD. and should not be disclosed to any third party without prior permission of HYUNDAI IT CO.,LTD..

REV. NO		REV. HISTORY	LTR	ECO NO	DATE	APPR'L
DWG	PART					
00	00	INITIAL RELEASE	-	-	-	-

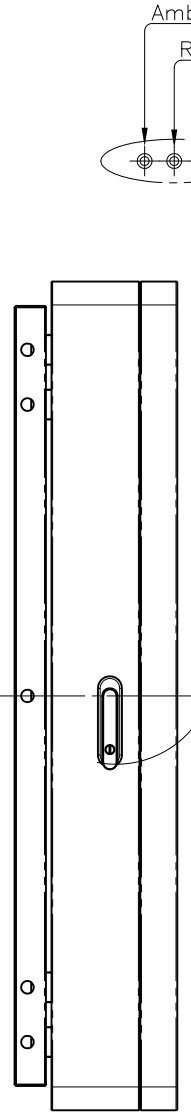
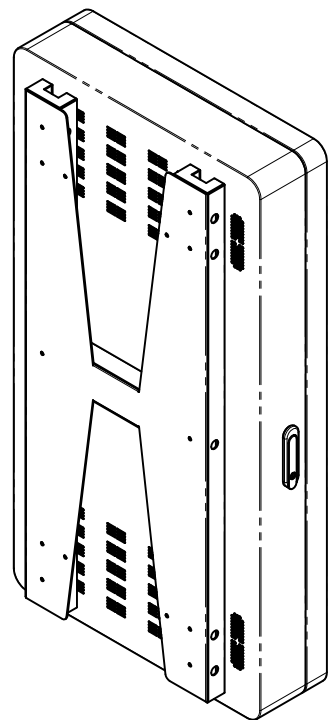
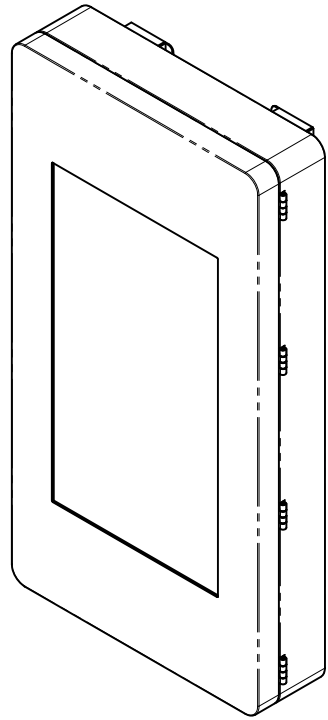


- NOTES,**
- LCD Panel : 32"
  - Material : E.G.I (Steel)
  - Tempered Glass : 8.0t (Single AR / Anti vandal Glass)

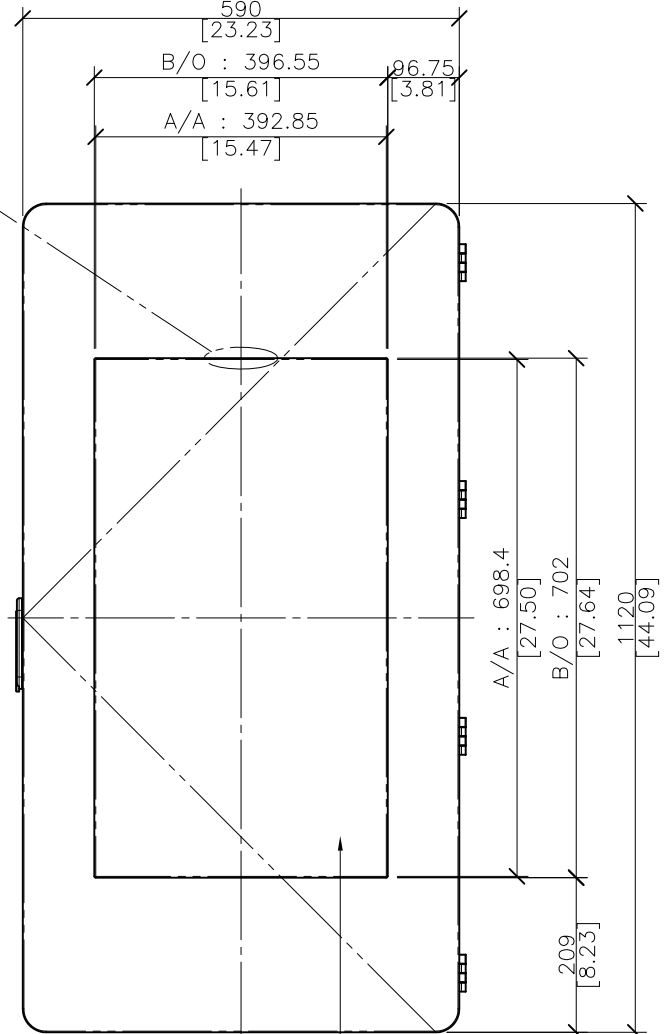
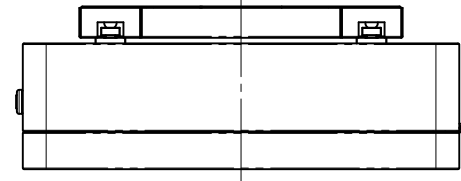
DRAWN	PLANNED	CHECKED	APPROVED	UNLESS OTHERWISE SPECIFIED ALL DIMENSION ARE IN MILLIMETERS	ANGLE 3rd.	TITLE : H327MS(LANDSCAPE) EXTERIOR VIEW	UNIT : mm
S.W.SEO	S.H.JANG	S.H.JANG	Y.T.KIM		SCALE : 1/10		TYPE : ASSY
"20.03.09	"20.03.09	"20.03.09	"20.03.09	TOLERANCES ARE : LINEAR : X ± 0.2 .X ± 0.1 .XX ± 0.01 ANGLES : ± 0.1° RADIH UNLESS NOTED : R 0.3	DWG REV : 00	DWG(PART) NO. H327MS_001	SIZE : A3
<b>HYUNDAI IT CO., LTD.</b>					MODEL NAME (CODE): H327MSV(I)		CUSTOMER: HDIT
				FILE NAME : LAYOUT_H325M_H327M_200309.DWG			

This drawing is the property of HYUNDAI IT CO.,LTD. and should not be disclosed to any third party without prior permission of HYUNDAI IT CO.,LTD.

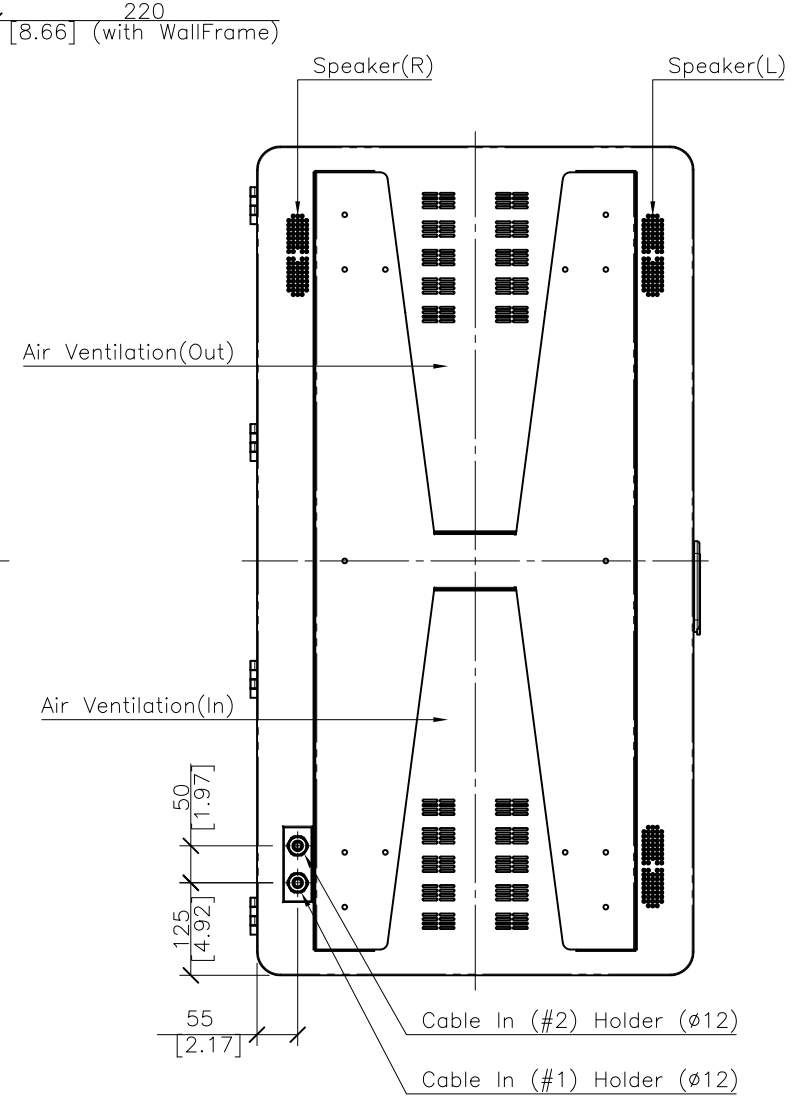
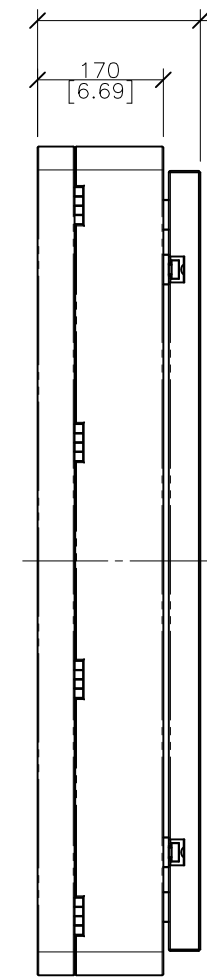
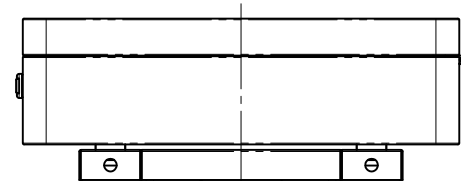
REV. NO		REV. HISTORY	LTR	ECO NO	DATE	APPR'L
DWG	PART					
00	00	INITIAL RELEASE	-	-	-	-



Ambient Sensor  
Remote Sensor  
Display LED



Anti vandal Bond'g  
Tempered Glass (3.0t+3.0t)



**NOTES,**

- LCD Panel : 32"
- Material : E.G.I (Steel)
- Tempered Glass : 8.0t (Single AR / Anti vandal Glass)

DRAWN	PLANNED	CHECKED	APPROVED	UNLESS OTHERWISE SPECIFIED ALL DIMENSION ARE IN MILLIMETERS	ANGLE. 3rd.	TITLE : H327MS(PORTAIT) EXTERIOR VIEW	UNIT : mm
S.W.SEO	S.H.JANG	S.H.JANG	Y.T.KIM	TOLERANCES ARE : LINEAR : X ± 0.2 .X ± 0.1 .XX ± 0.01 ANGLES : ± 0.1° RADII UNLESS NOTED : R 0.3	SCALE : 1/10		TYPE : ASSY
'20.03.09	'20.03.09	'20.03.09	'20.03.09	MODEL NAME (CODE): H327MSV(I)	CUSTOMER. HDIT	DWG REV : 00	SIZE : A3
<b>HYUNDAI IT CO., LTD.</b>				FILE NAME : LAYOUT_H325M_H327M_200309.DWG	DWG REV : 00	SHT NO : 2/2	DWG(PART) NO. H327MS_002