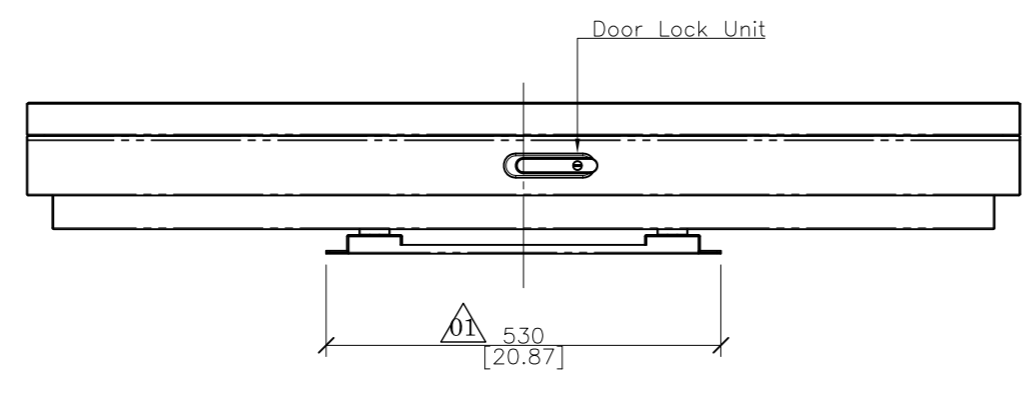
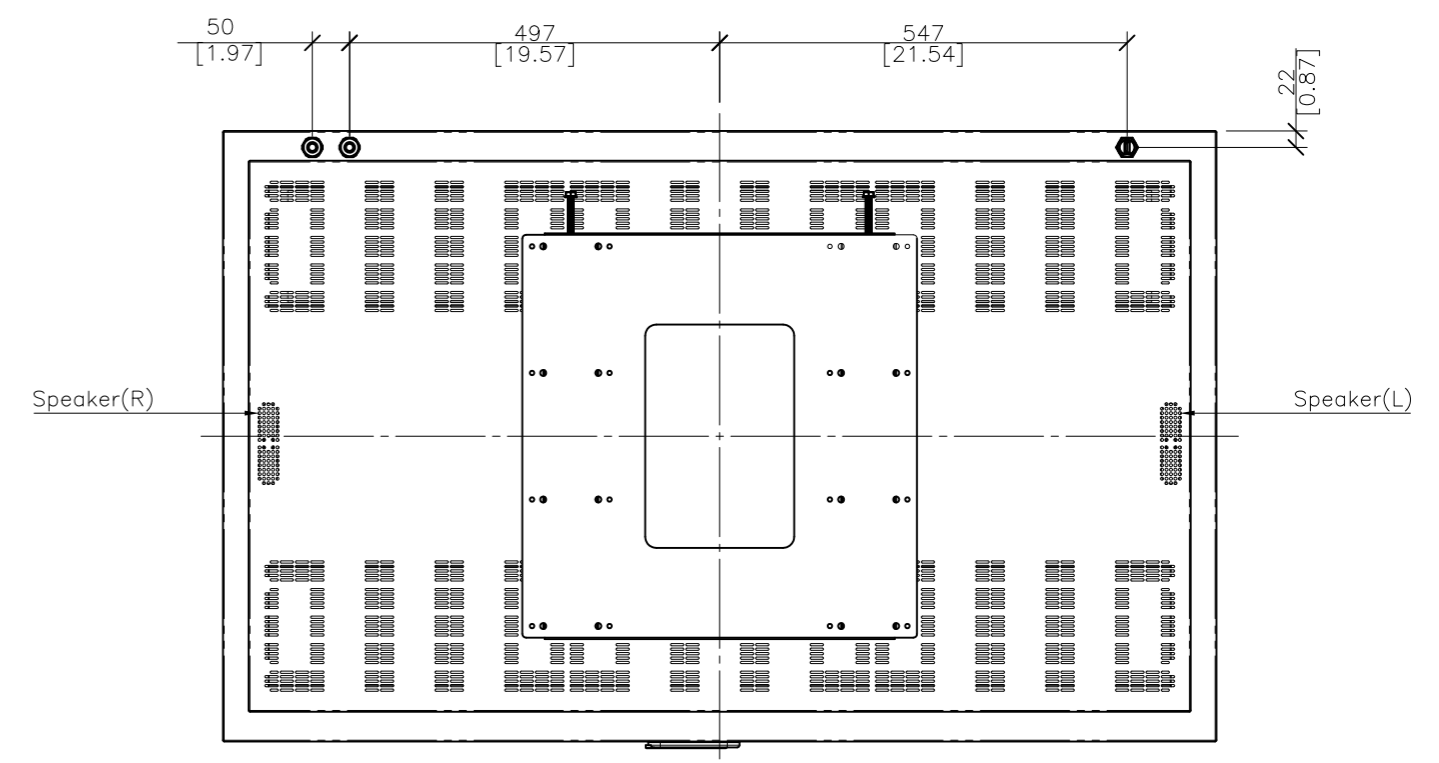
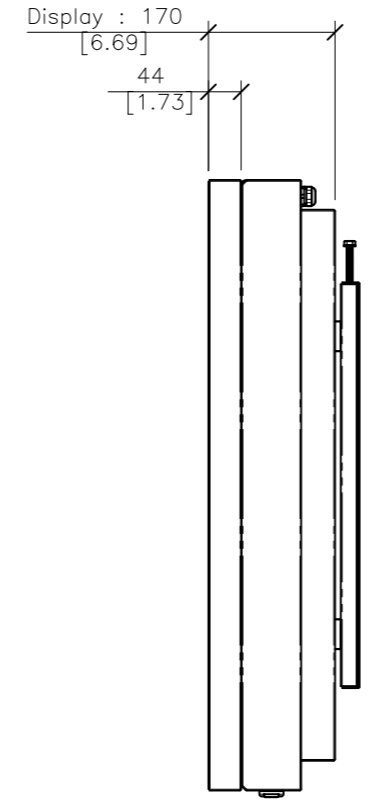
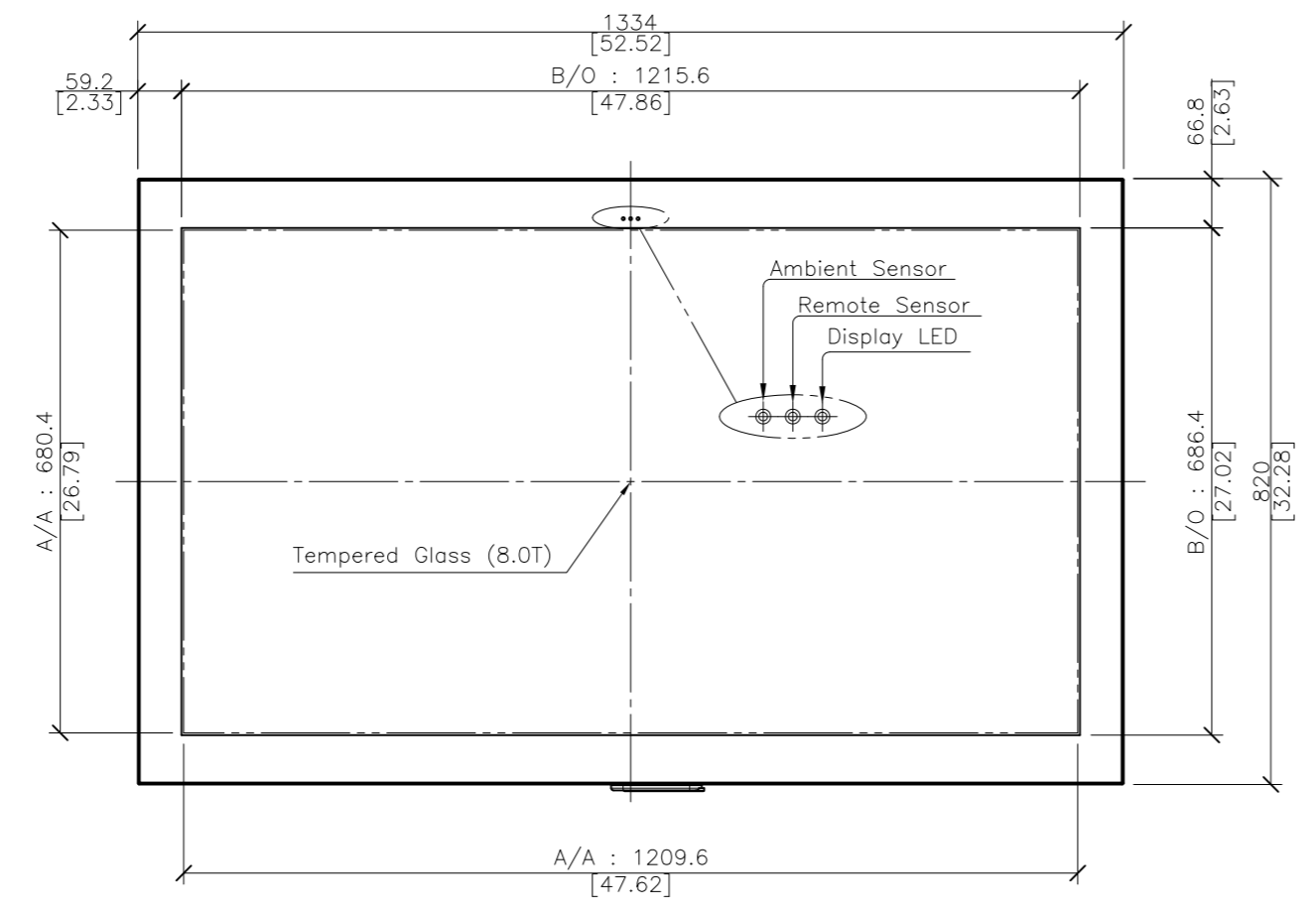
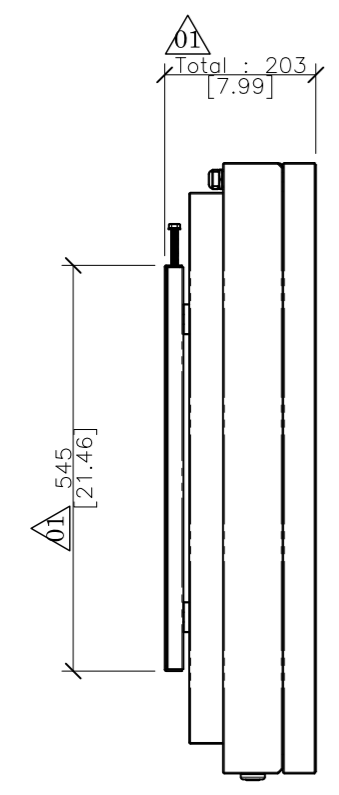
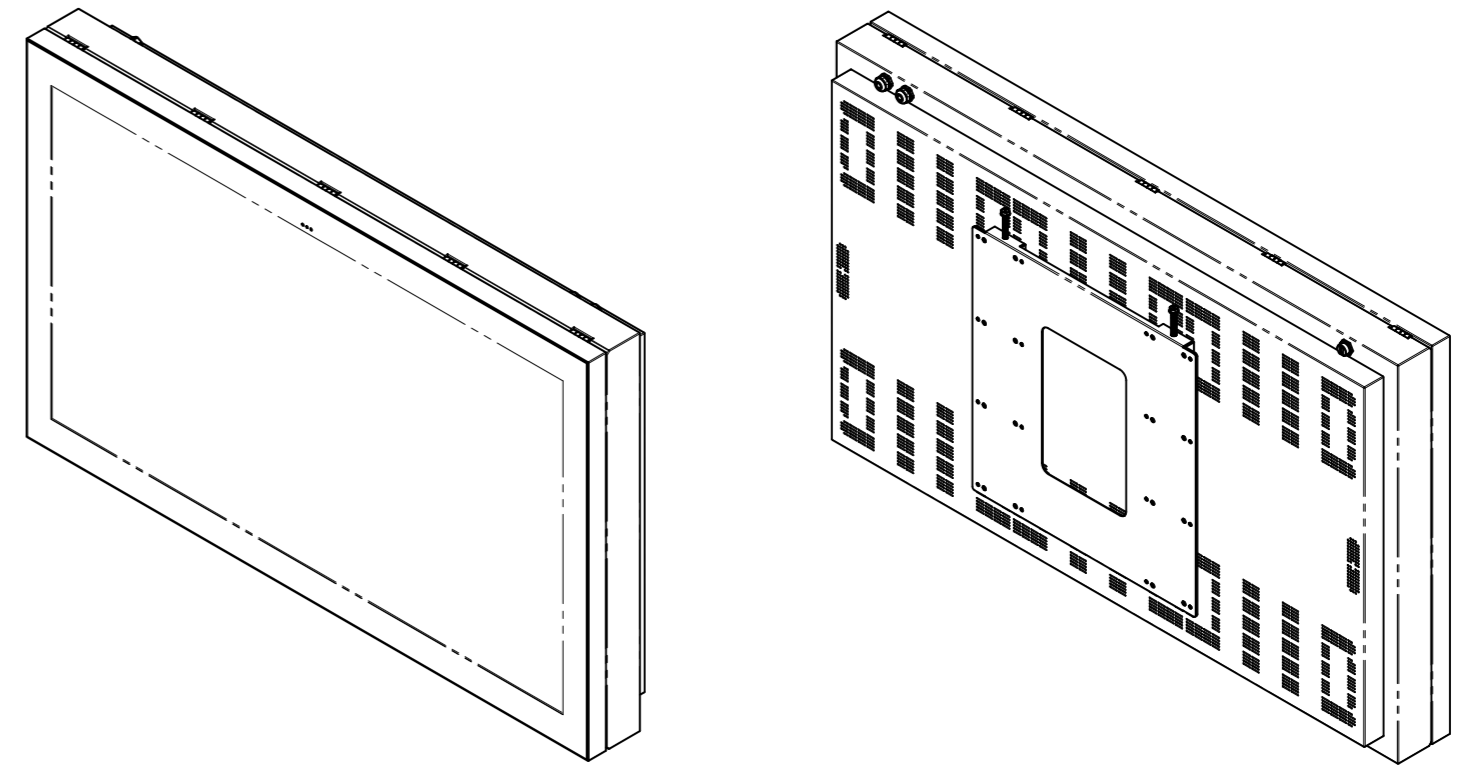
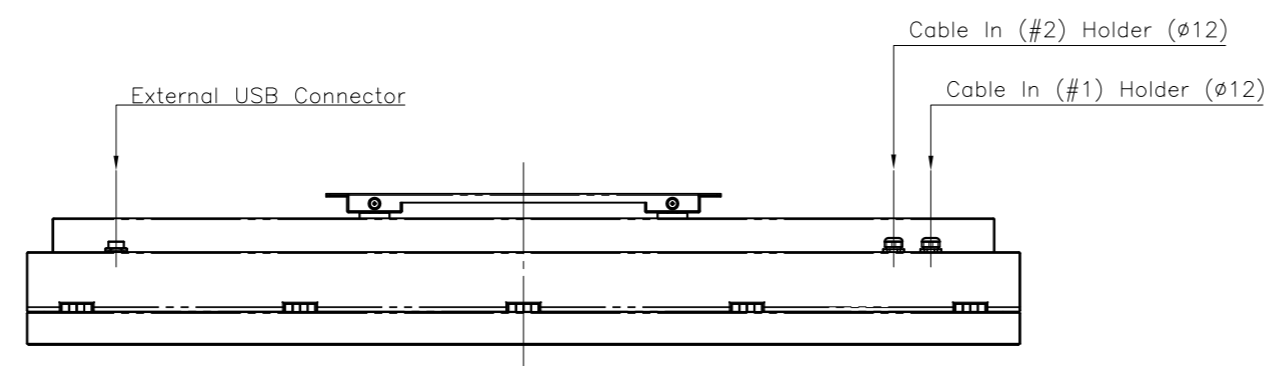


REV. NO		REV. HISTORY	LTR	ECO NO	DATE	APPR'L
DWG	PART					
00	00	INITIAL RELEASE	-	-	-	-
01	01	WALL MOUNT CHANGE (400x400)	$\Delta 1$	01	'18.06.27	'18.06.27



- NOTES**
- LCD Panel : 55"
 - Material : E.G.I
 - Color : BLACK
 - Tempered Glass : 8.0T (Single AR / Tempered Glass)

DRAWN	PLANNED	CHECKED	APPROVED	UNLESS OTHERWISE SPECIFIED ALL DIMENSION ARE IN MILLIMETERS	ANGLE 3rd.	TITLE : Q557MS EXTERIOR VIEW	UNIT : mm
S.W.SEO	S.H.JANG	S.H.JANG	Y.T.KIM		SCALE : 1/10		TYPE : ASSY
'18.06.27	'18.06.27	'18.06.27	'18.06.27				
HYUNDAI IT CO., LTD.				MODEL NAME (CODE): Q557MS	CUSTOMER: HDIT	DWG REV : 00	DWG(PART) NO. Q557MS_001
				FILE NAME : LAYOUT_Q557M_180627.DWG		SHT NO : 1/1	SIZE : A2