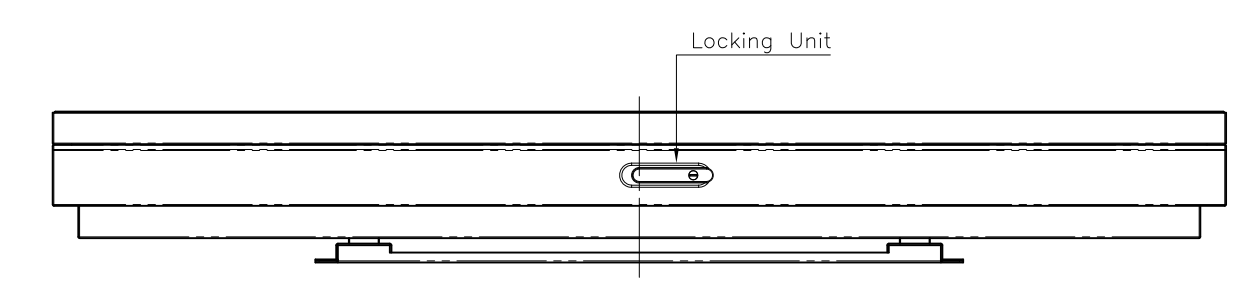
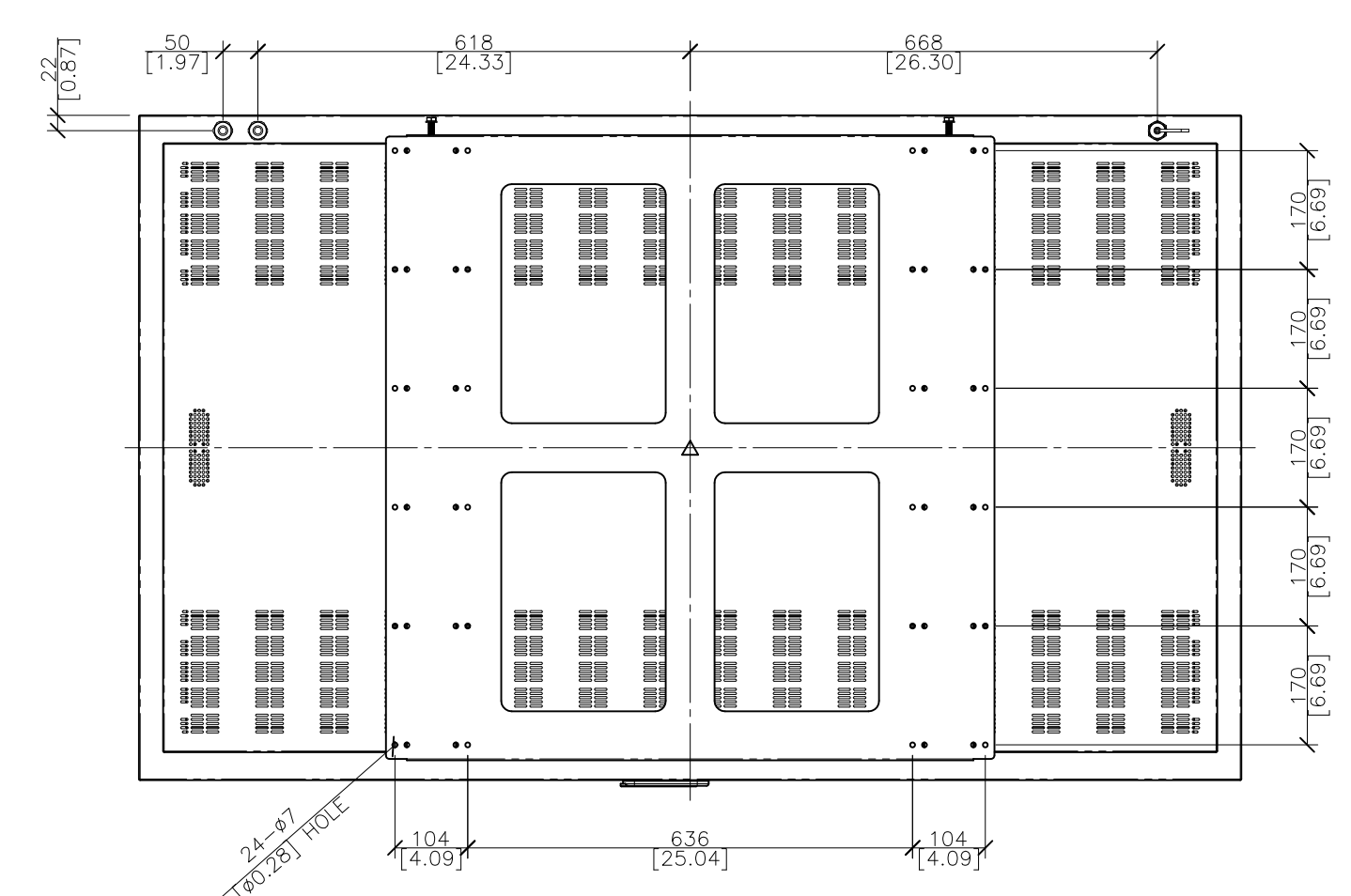
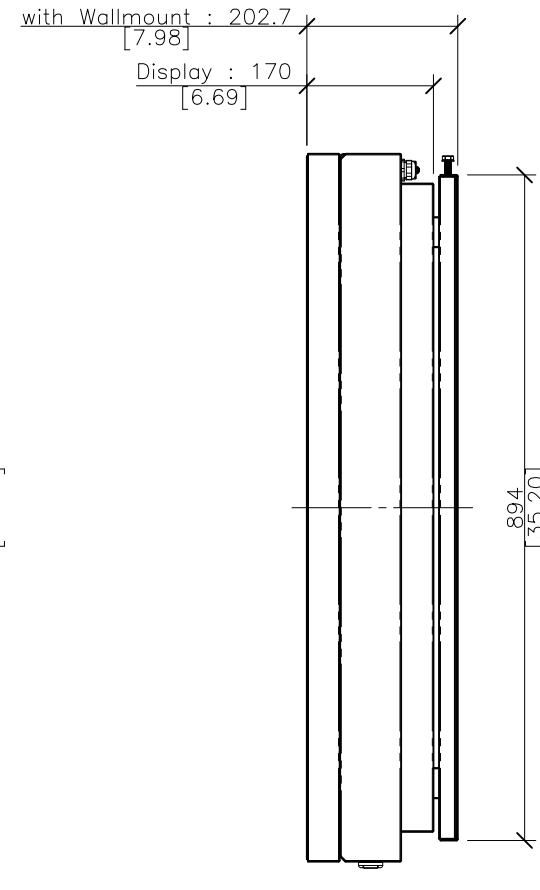
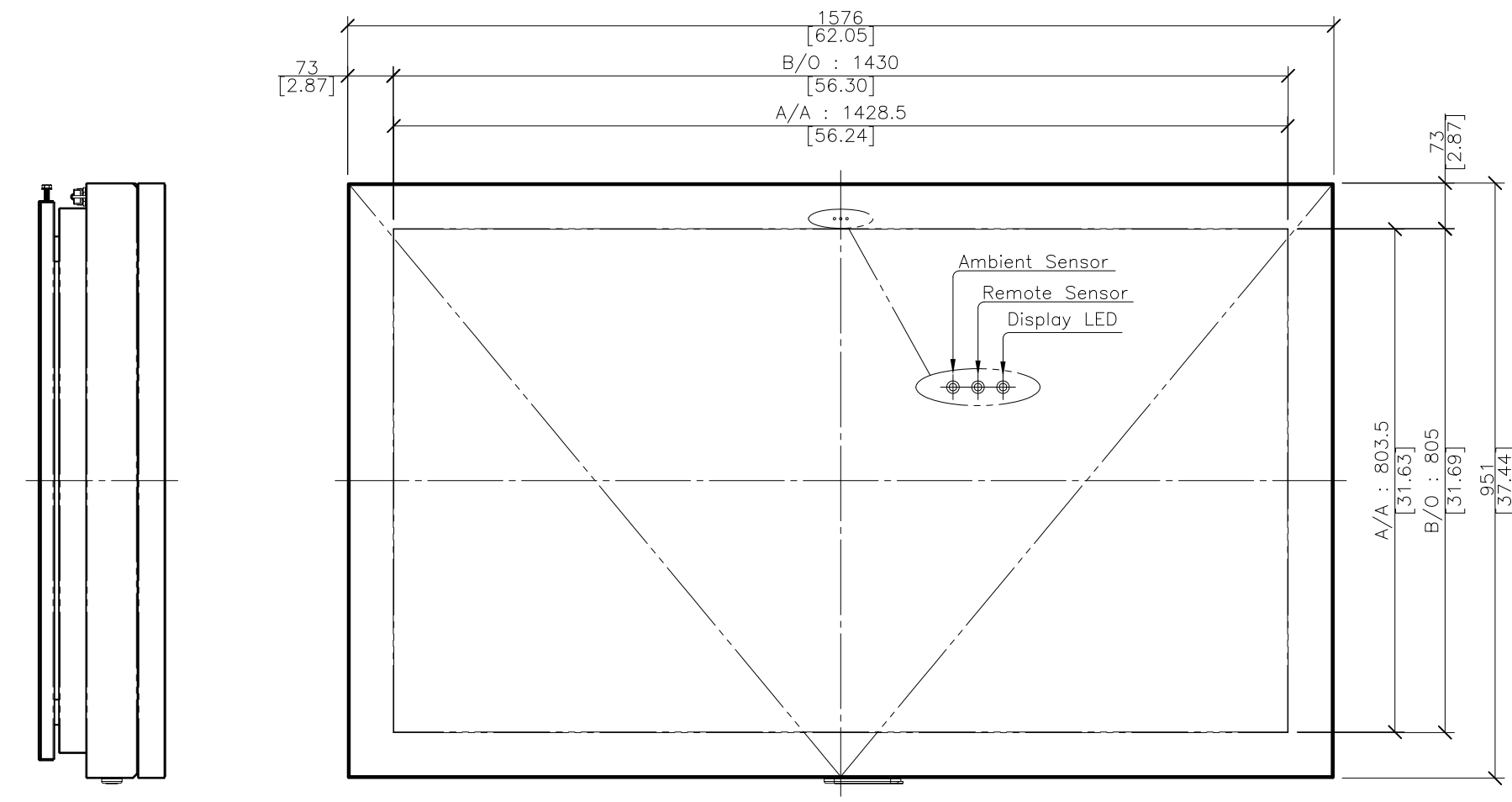
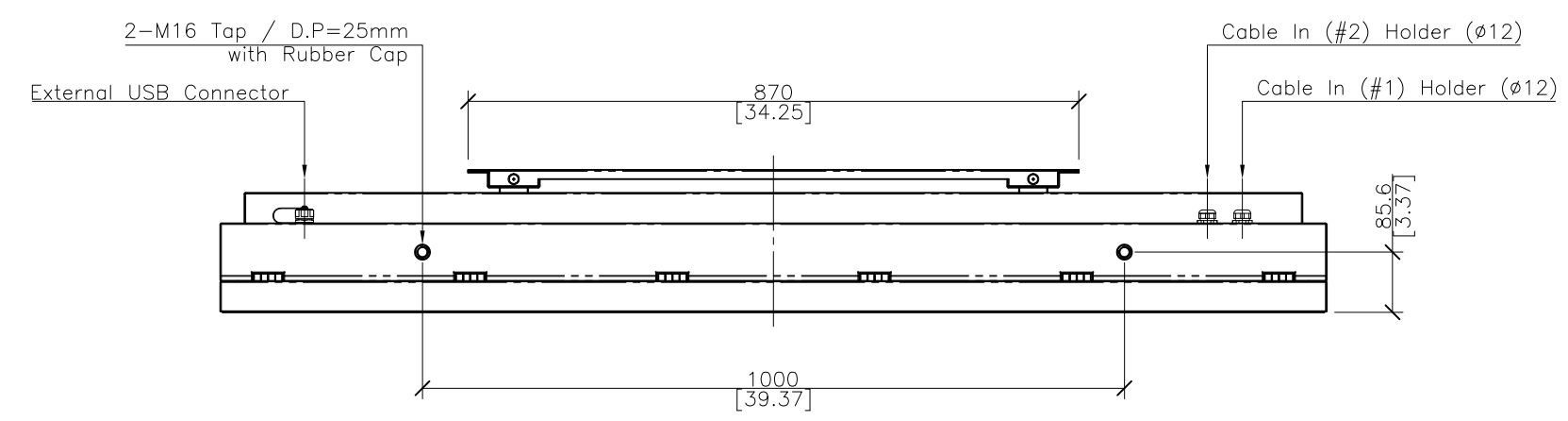


REV. NO		REV. HISTORY	LTR	ECO NO	DATE	APPR'L
DWG	PART					
00	00	INITIAL RELEASE	-	-	-	-



- NOTES**
- LCD Panel : 65"
  - Material : E.G.I
  - Cabinet Color : Black
  - Tempered Glass : 8.0T (Single AR)

DRAWN	PLANNED	CHECKED	APPROVED	UNLESS OTHERWISE SPECIFIED ALL DIMENSION ARE IN MILLIMETERS	ANGLE 3rd.	TITLE : Q657MS (Landscape) EXTERIOR VIEW	UNIT : mm
S.H.JANG	S.H.JANG	S.H.JANG	Y.T.KIM	TOLERANCES ARE: LINEAR : X ± 0.20 X ± 0.1 XX ± 0.01 ANGLES : ± 0.1° RADI UNLESS NOTED : R 0.3	SCALE : 1/10		TYPE : ASSY
'17.04.20	'17.04.20	'17.04.20	'17.04.20	MODEL NAME (CODE): Q657MS	CUSTOMER: HDT	DWG REV : 00	DWG(PART) NO. Q657MS_001
HYUNDAI IT CO.,LTD.				FILE NAME : LAYOUT_Q657M_170420.DWG	SHT NO : 1/1		SIZE : A2

This drawing is the property of HYUNDAI IT CO.,LTD. and should not be disclosed to any third party without prior permission of HYUNDAI IT CO.,LTD.