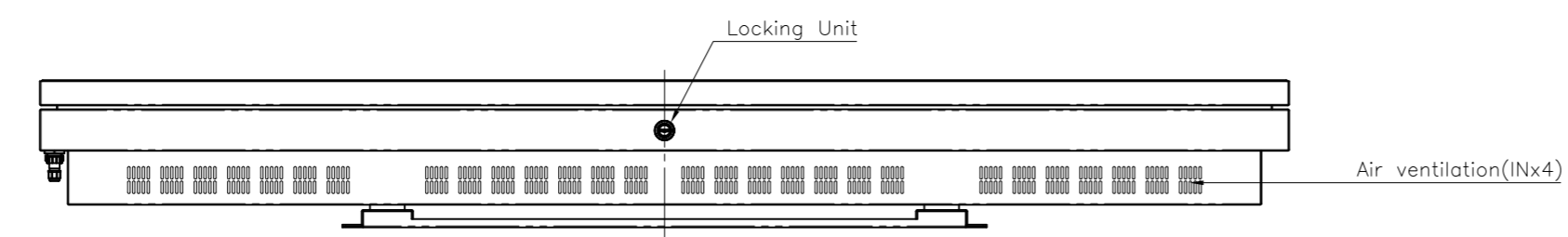
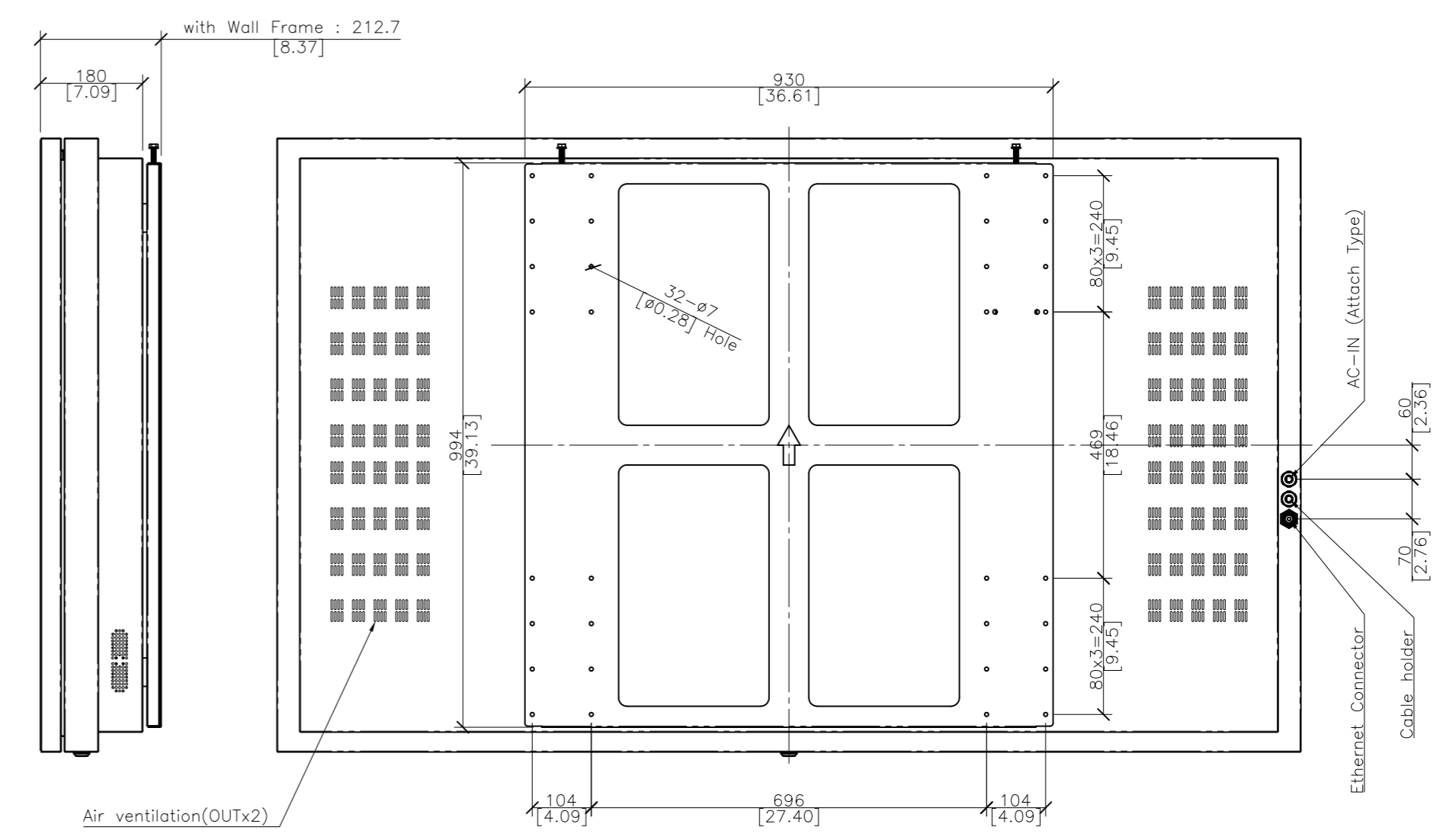
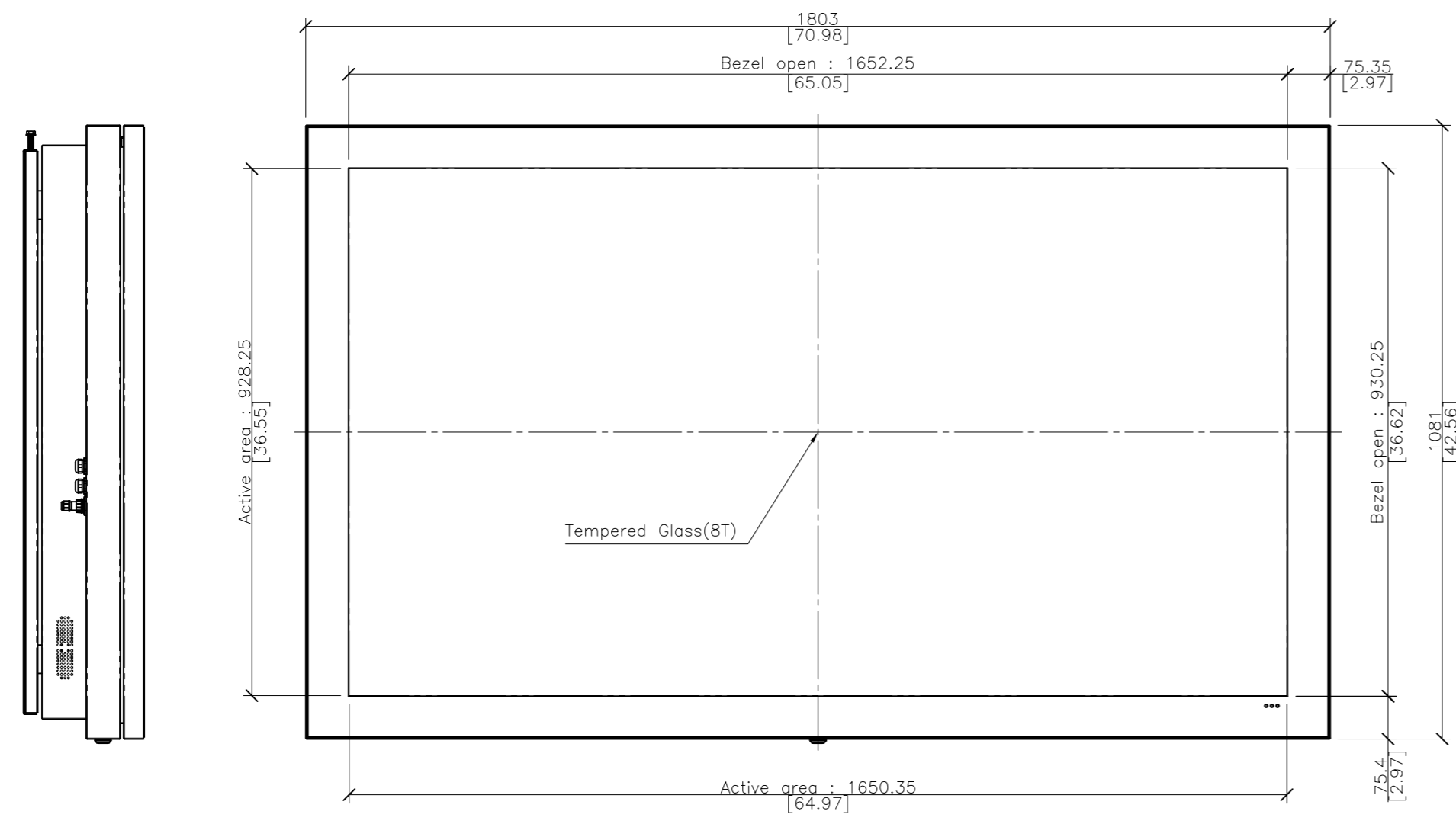
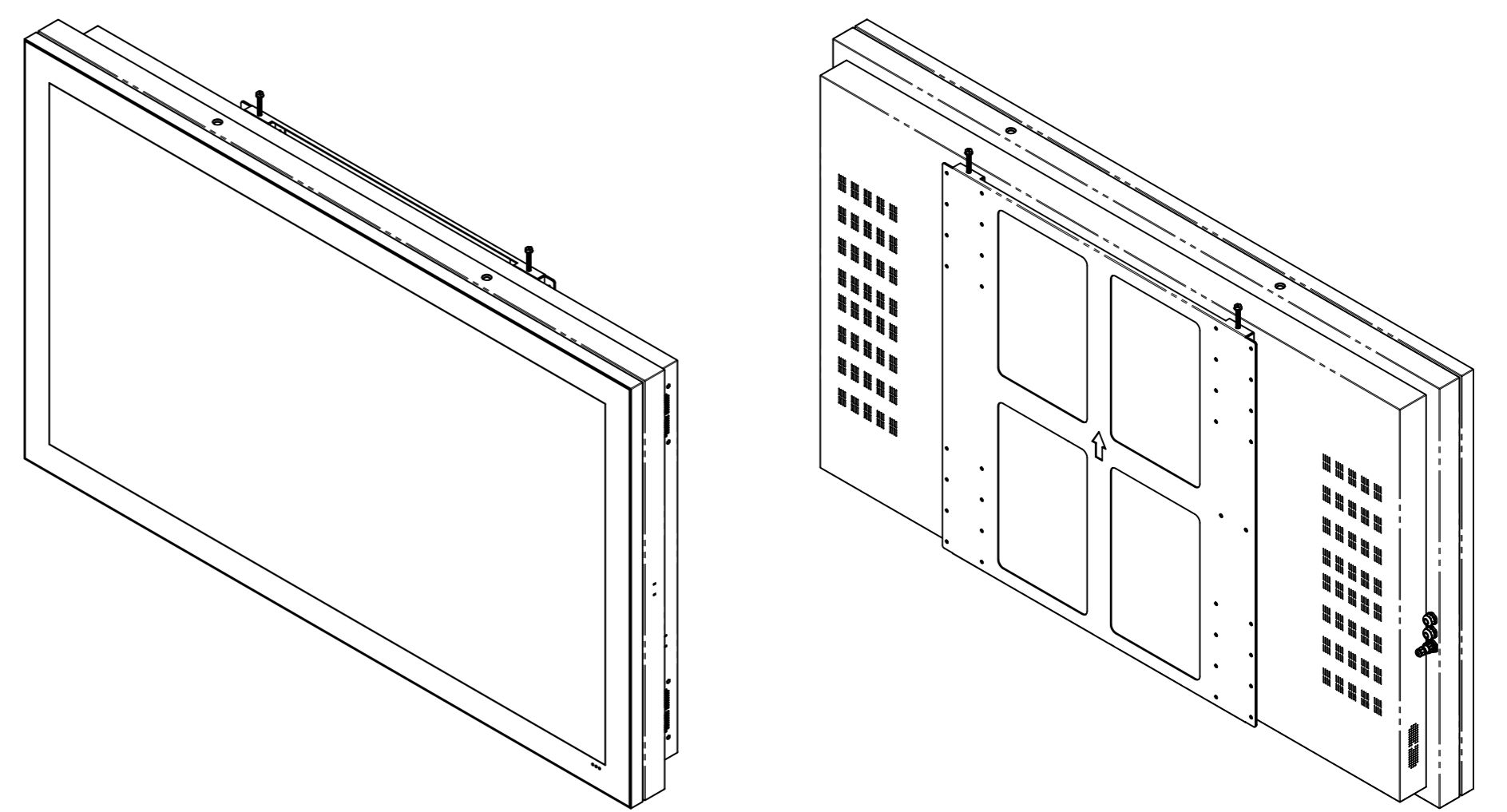
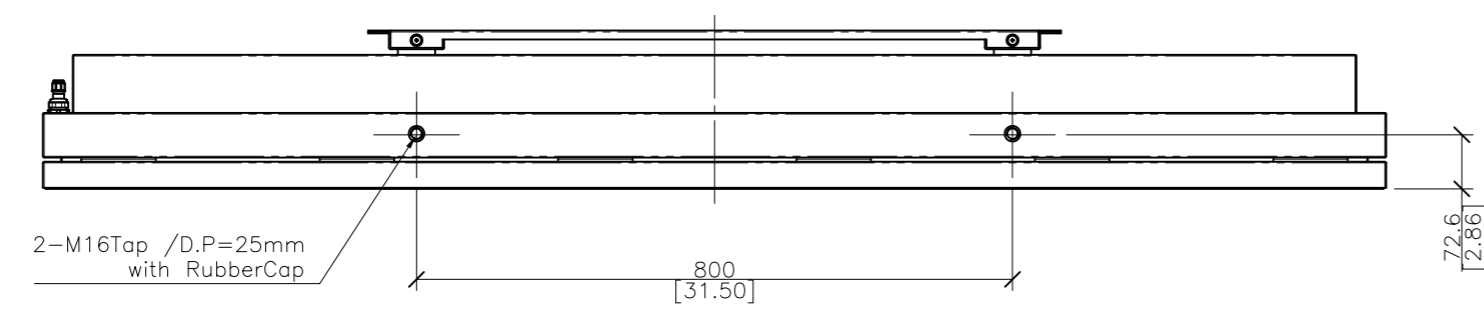


| REV. NO |      | REV. HISTORY    | LTR | ECO NO | DATE | APPR'L |
|---------|------|-----------------|-----|--------|------|--------|
| DWG     | PART |                 |     |        |      |        |
| 00      | 00   | INITIAL RELEASE | -   | -      | -    | -      |

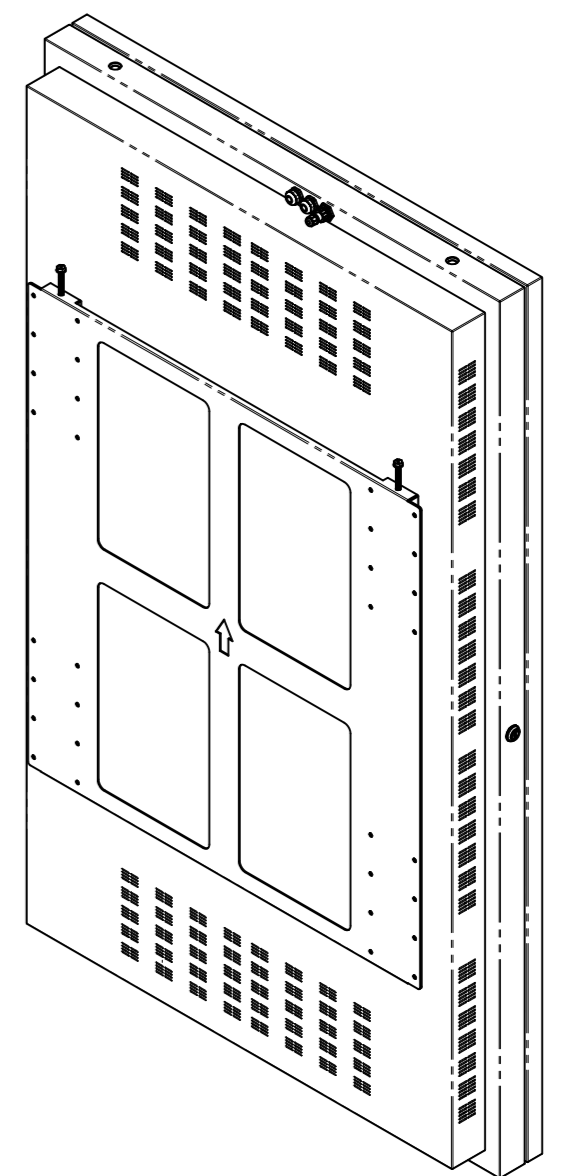
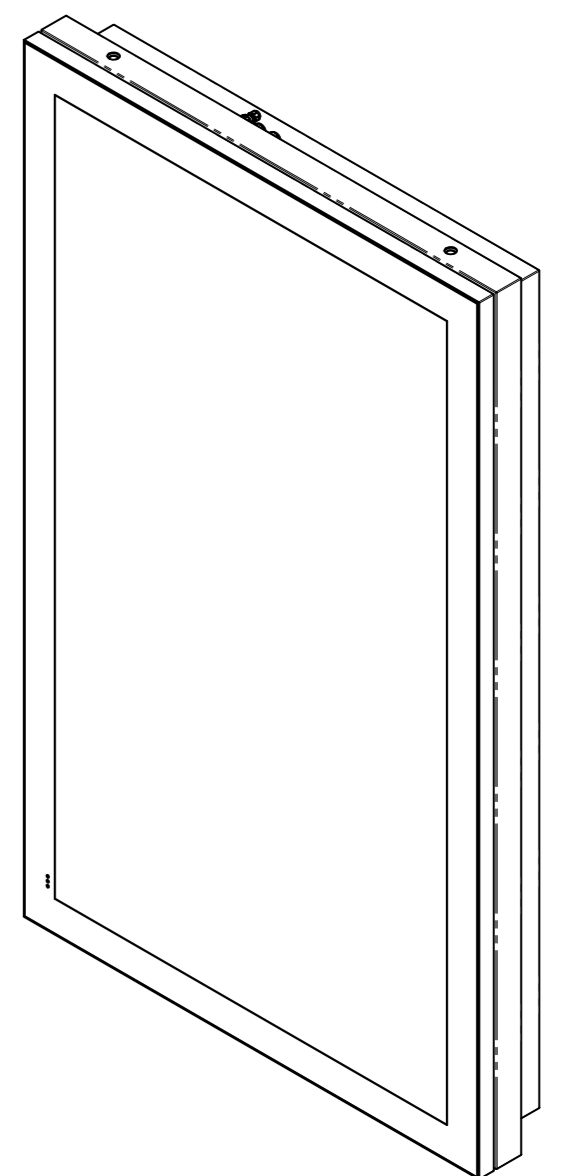
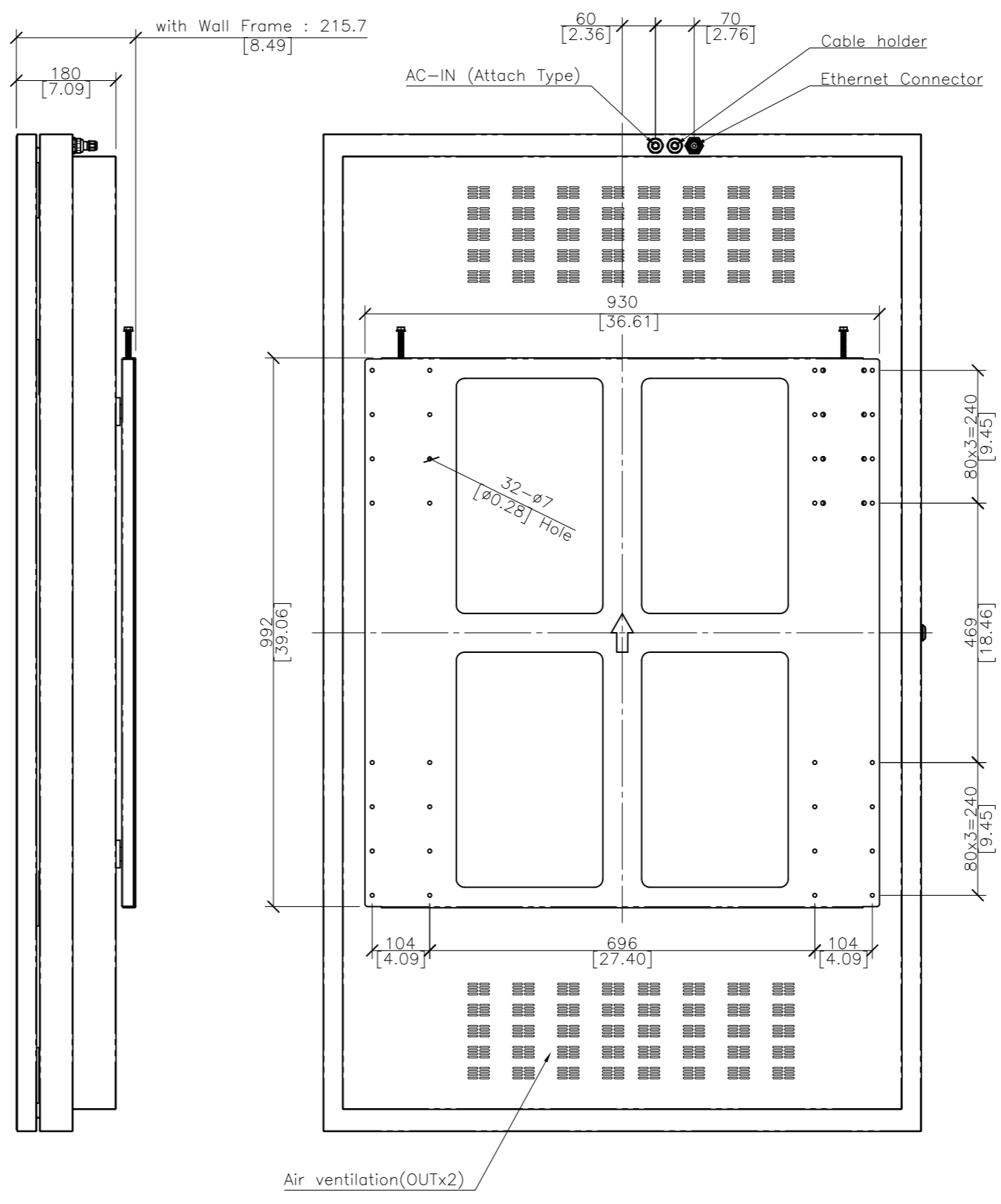
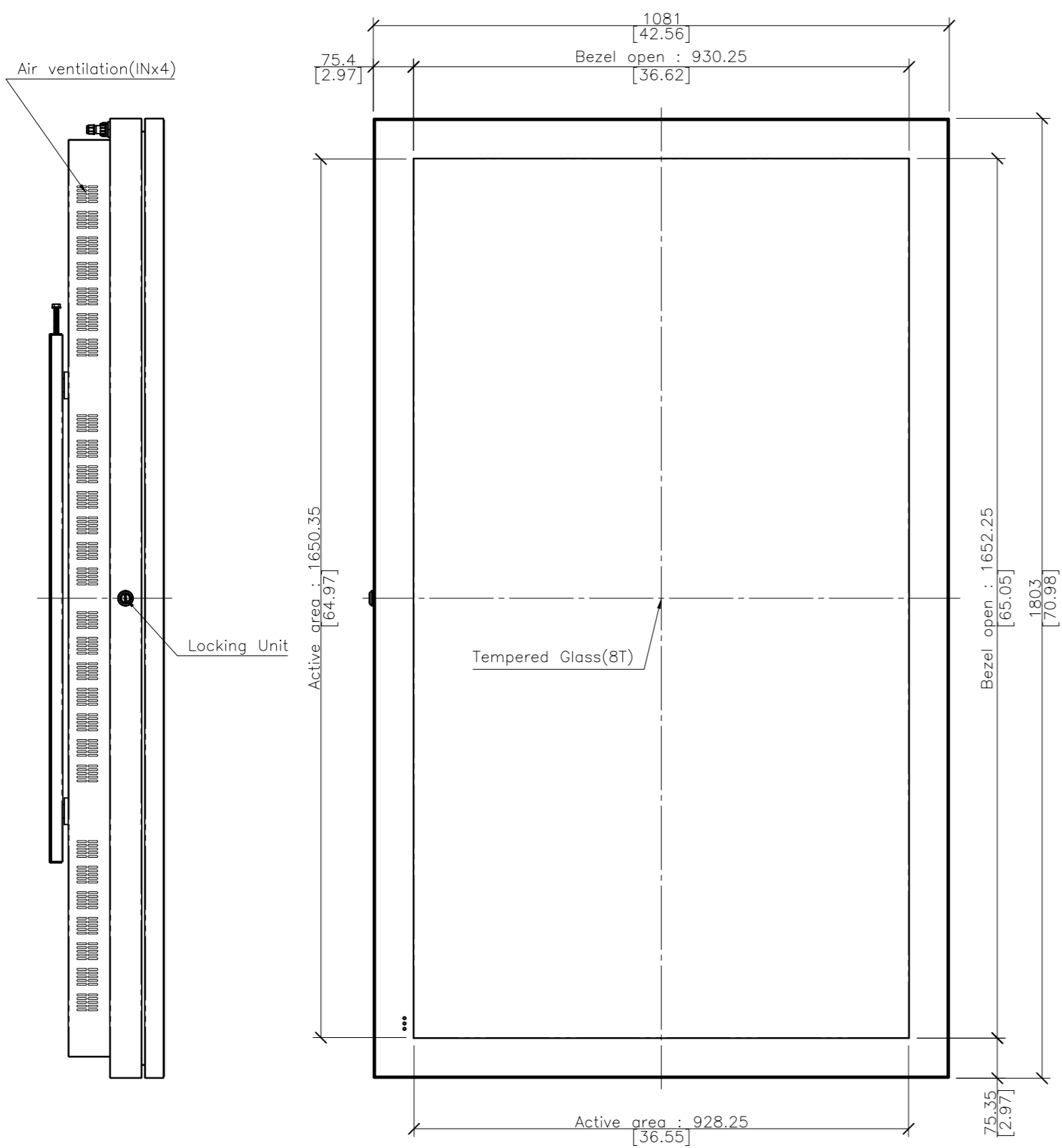
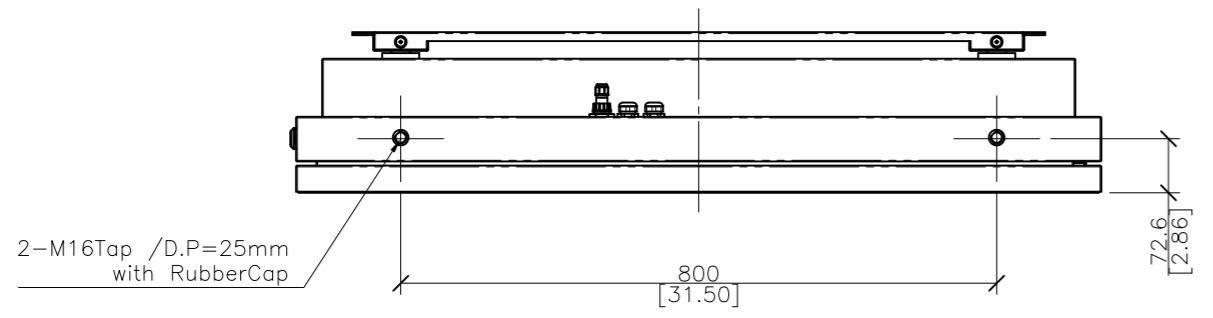


- NOTES.**
- LCD Panel : 75"
  - Material : E.G.I
  - Cabinet Color : Black
  - Tempered Glass : 8.0T (Single AR)
  - STB Space : 240 x 220 x 63

| DRAWN                | PLANNED   | CHECKED   | APPROVED  | UNLESS OTHERWISE SPECIFIED ALL DIMENSION ARE IN MILLIMETERS  | ANGLE 3rd.     | TITLE                              | UNIT : mm   |
|----------------------|-----------|-----------|-----------|--|----------------|------------------------------------|-------------|
| S.H.JANG             | S.H.JANG  | S.H.JANG  | Y.T.KIM   | TOLERANCES ARE:<br>LINEAR : X ± 0.20 X ± 0.1 XX ± 0.01<br>ANGLES : ± 0.1°<br>RADIUS UNLESS NOTED : R 0.3 | SCALE : 1/10   | Q757MS(Landscape)<br>EXTERIOR VIEW | TYPE : ASSY |
| '18.04.27            | '18.04.27 | '18.04.27 | '18.04.27 | MODEL NAME (CODE):<br>Q757MS   | CUSTOMER: HDIT | DWG REV : 00                       | SIZE : A2   |
| HYUNDAI IT CO., LTD. |           |           |           | FILE NAME : LAYOUT_Q757MS_181030.DWG   | SHT NO : 1/1   | DWG(PART) NO.<br>Q757MS_001        |             |

This drawing is the property of HYUNDAI IT Corp. and should not be disclosed to any third party without prior permission of HYUNDAI IT Corp.

| REV. NO |      | REV. HISTORY    | LTR | ECO NO | DATE | APPR'L |
|---------|------|-----------------|-----|--------|------|--------|
| DWG     | PART |                 |     |        |      |        |
| 00      | 00   | INITIAL RELEASE | -   | -      | -    | -      |

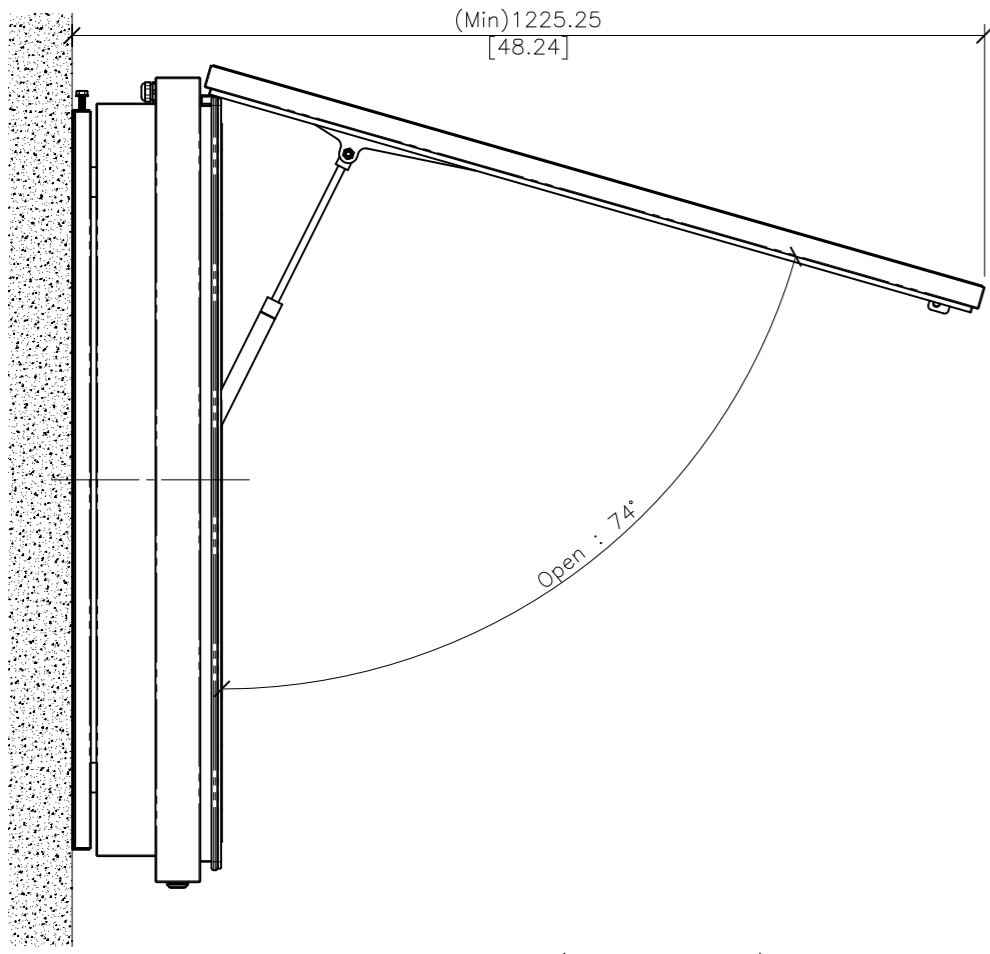


- NOTES**
1. LCD Panel : 75"
  2. Material : E.G.I
  3. Cabinet Color : Black
  4. Tempered Glass : 8.0T (Single AR)
  5. STB Space : 240 x 220 x 63

| DRAWN                | PLANNED   | CHECKED   | APPROVED  | UNLESS OTHERWISE SPECIFIED ALL DIMENSION ARE IN MILLIMETERS  | ANGLE 3rd.     | TITLE :                           | UNIT : mm                |
|----------------------|-----------|-----------|-----------|--|----------------|-----------------------------------|--------------------------|
| S.H.JANG             | S.H.JANG  | S.H.JANG  | Y.T.KIM   | TOLERANCES ARE:<br>LINEAR : X ± 0.20 X ± 0.1 XX ± 0.01<br>ANGLES : ± 0.1°<br>RADIUS UNLESS NOTED : R 0.3 | SCALE : 1/10   | Q757MS(Portrait)<br>EXTERIOR VIEW | TYPE : ASSY              |
| '18.04.27            | '18.04.27 | '18.04.27 | '18.04.27 | MODEL NAME (CODE): Q757MS  | CUSTOMER: HDIT | DWG REV: 00                       | DWG(PART) NO. Q757MS_001 |
| HYUNDAI IT CO., LTD. |           |           |           | FILE NAME: LAYOUT_Q757MS_180427.DWG  | SHT NO: 1/1    | SIZE: A2                          |                          |

This drawing is the property of HYUNDAI IT Corp. and should not be disclosed to any third party without prior permission of HYUNDAI IT Corp..

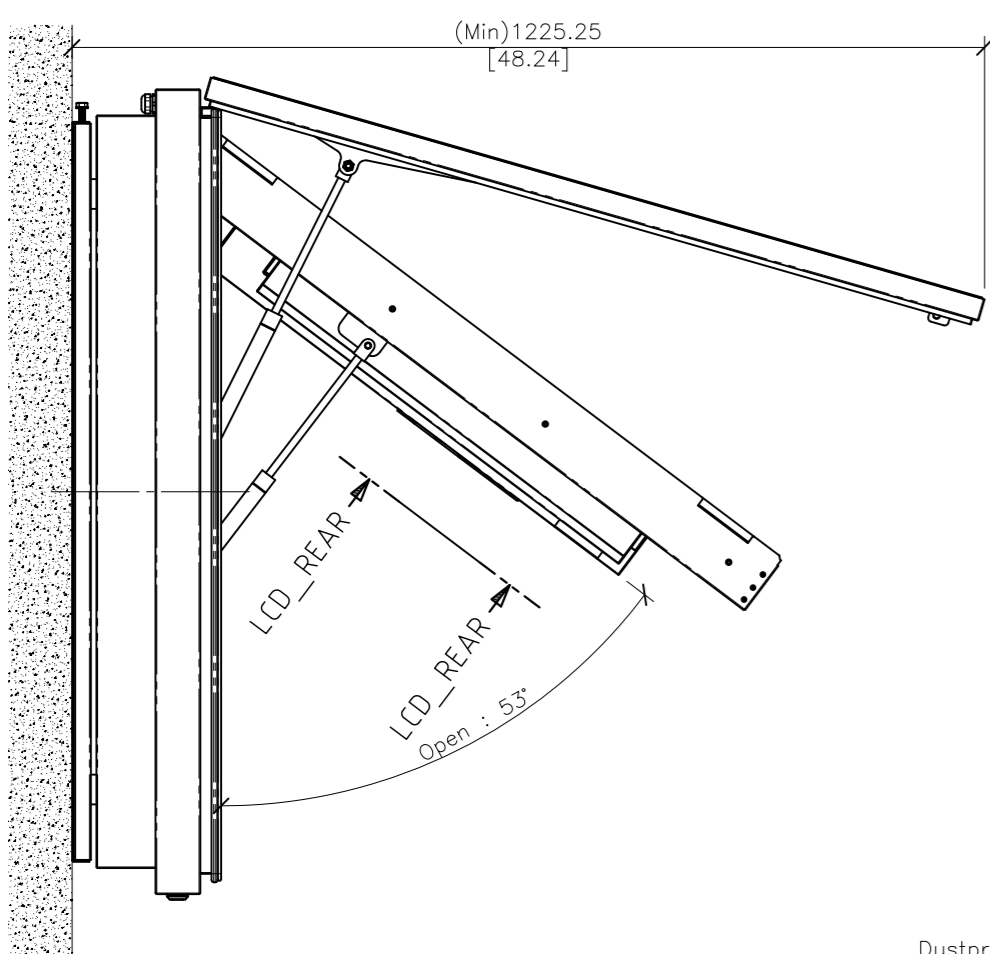
| REV. NO |      | REV. HISTORY    | LTR | ECO NO | DATE | APPR'L |
|---------|------|-----------------|-----|--------|------|--------|
| DWG     | PART |                 |     |        |      |        |
| 00      | 00   | INITIAL RELEASE | -   | -      | -    | -      |



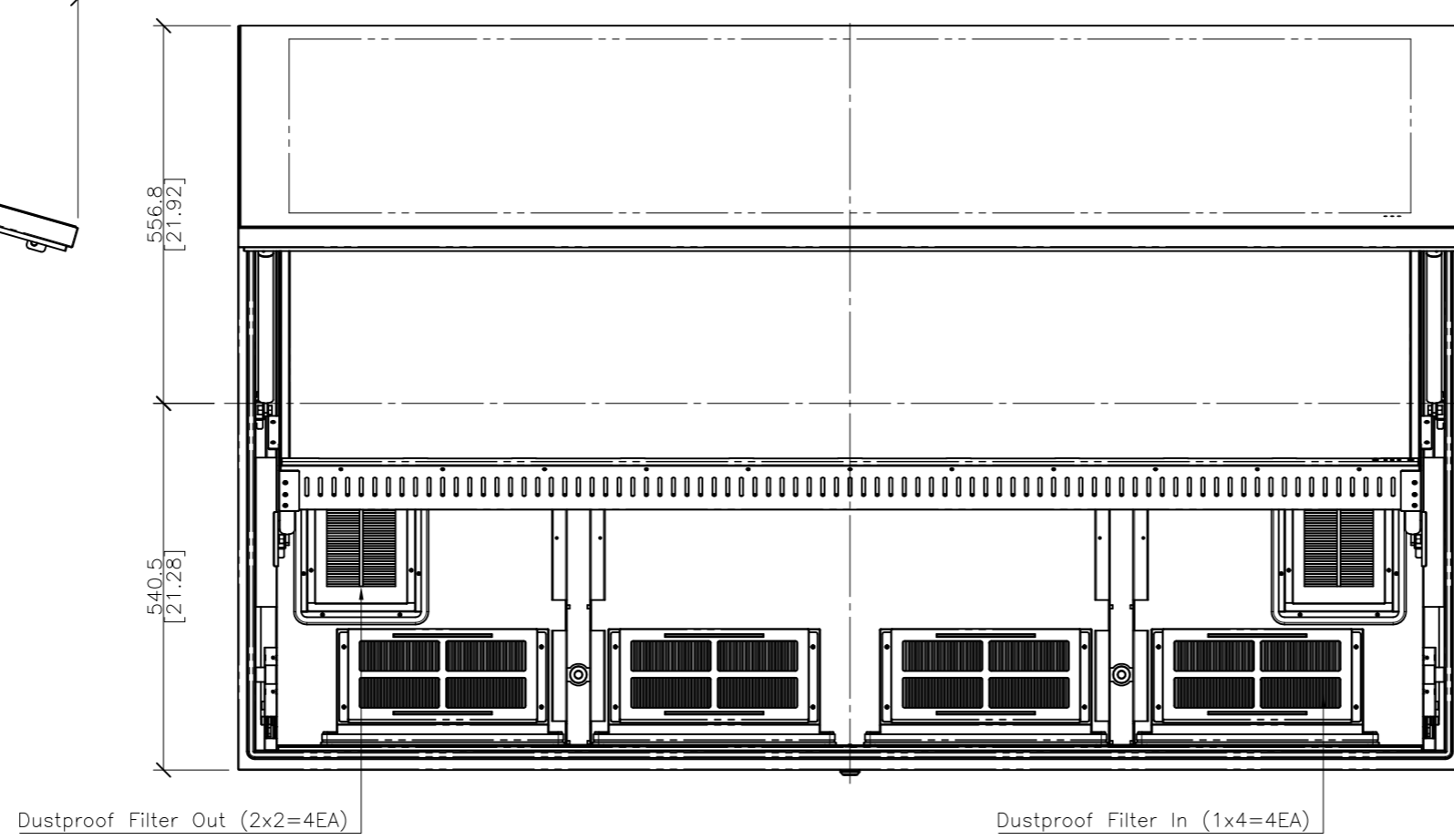
Door Open (Side view)



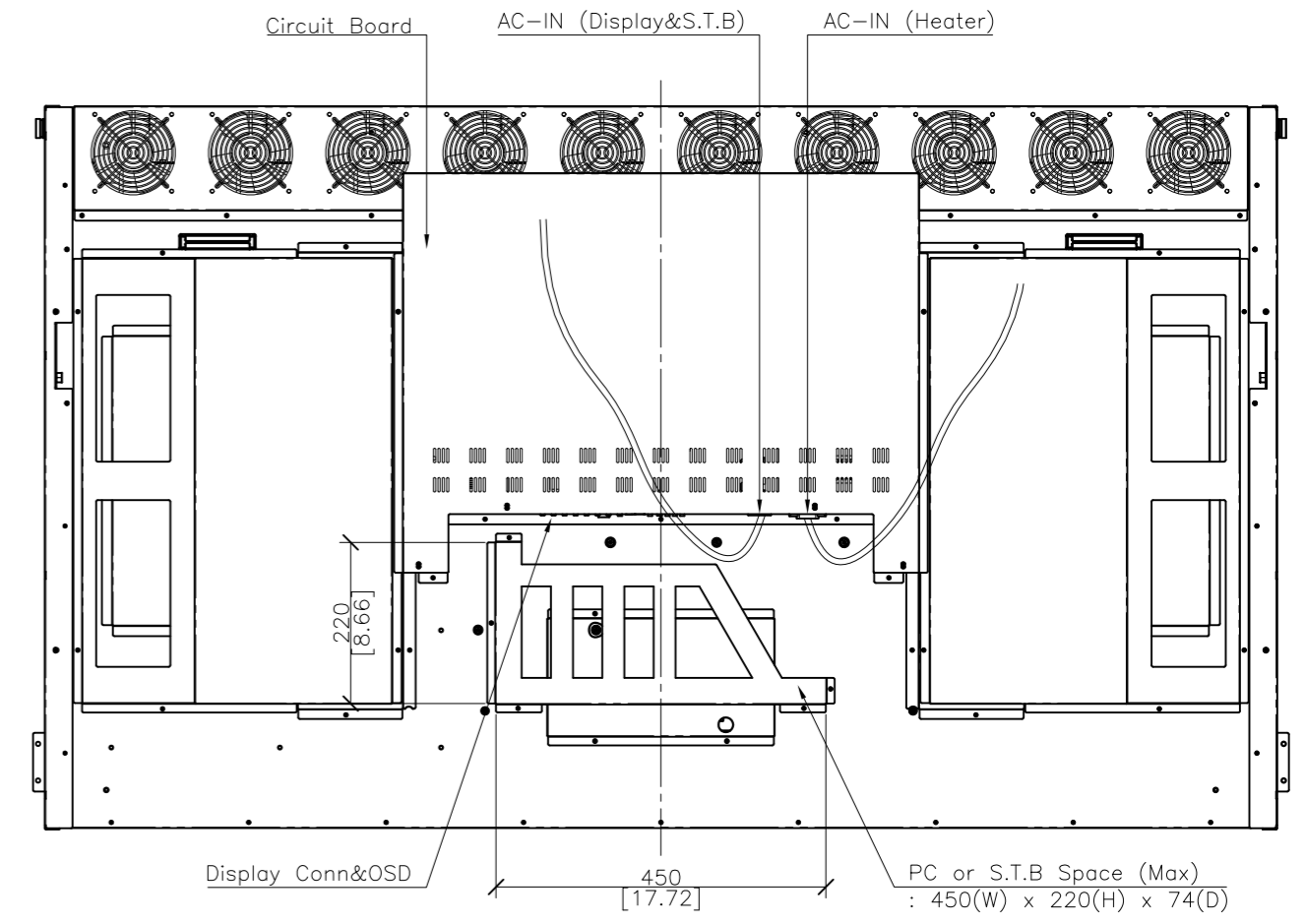
Door Open (Front view)



LCD Open (Side view)



LCD Open (Front view)



Section-LCD Rear (Open view)

This drawing is the property of HYUNDAI IT Corp. and should not be disclosed to any third party without prior permission of HYUNDAI IT Corp.

| DRAWN                | PLANNED   | CHECKED   | APPROVED                 | UNLESS OTHERWISE SPECIFIED ALL DIMENSION ARE IN MILLIMETERS   |           | ANGLE         | TITLE : | UNIT :                        |
|----------------------|-----------|-----------|--------------------------|---|-----------|---------------|---------|-------------------------------|
| S.W.SEO              | S.H.JANG  | S.H.JANG  | Y.T.KIM                  | TOLERANCES ARE :<br>LINEAR : X ± 0.20 X ± 0.1 XX ± 0.01<br>ANGLES : ± 0.1°<br>RADI UNLESS NOTED : R 0.3 |           | 3rd.          |         | Q757MS(Open)<br>EXTERIOR VIEW |
| '18.09.28            | '18.09.28 | '18.09.28 | '18.09.28                |   |           | SCALE :       |         |                               |
| HYUNDAI IT CO., LTD. |           |           | MODEL NAME (CODE):       | CUSTOMER:   | DWG REV : | DWG(PART) NO. |         | SIZE :                        |
|                      |           |           | FILE NAME :              | HDT   | 00        | Q757MS_003    |         | A2                            |
|                      |           |           | LAYOUT_Q757MS_180427.DWG |   | 1/1       |               |         |                               |