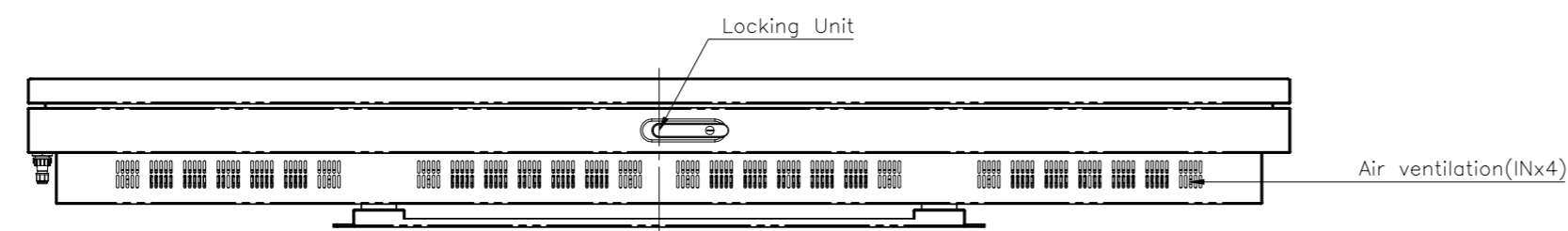
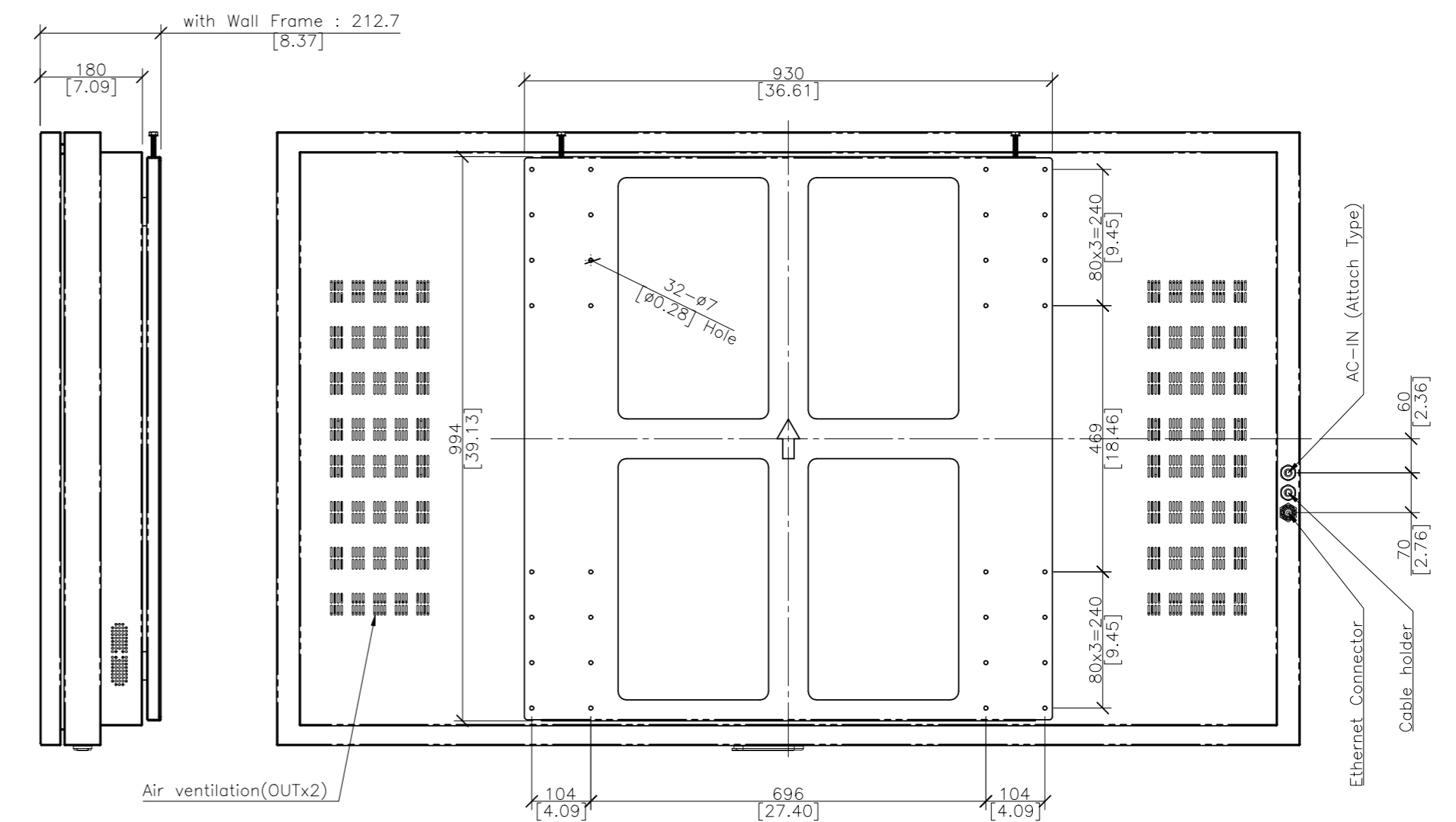
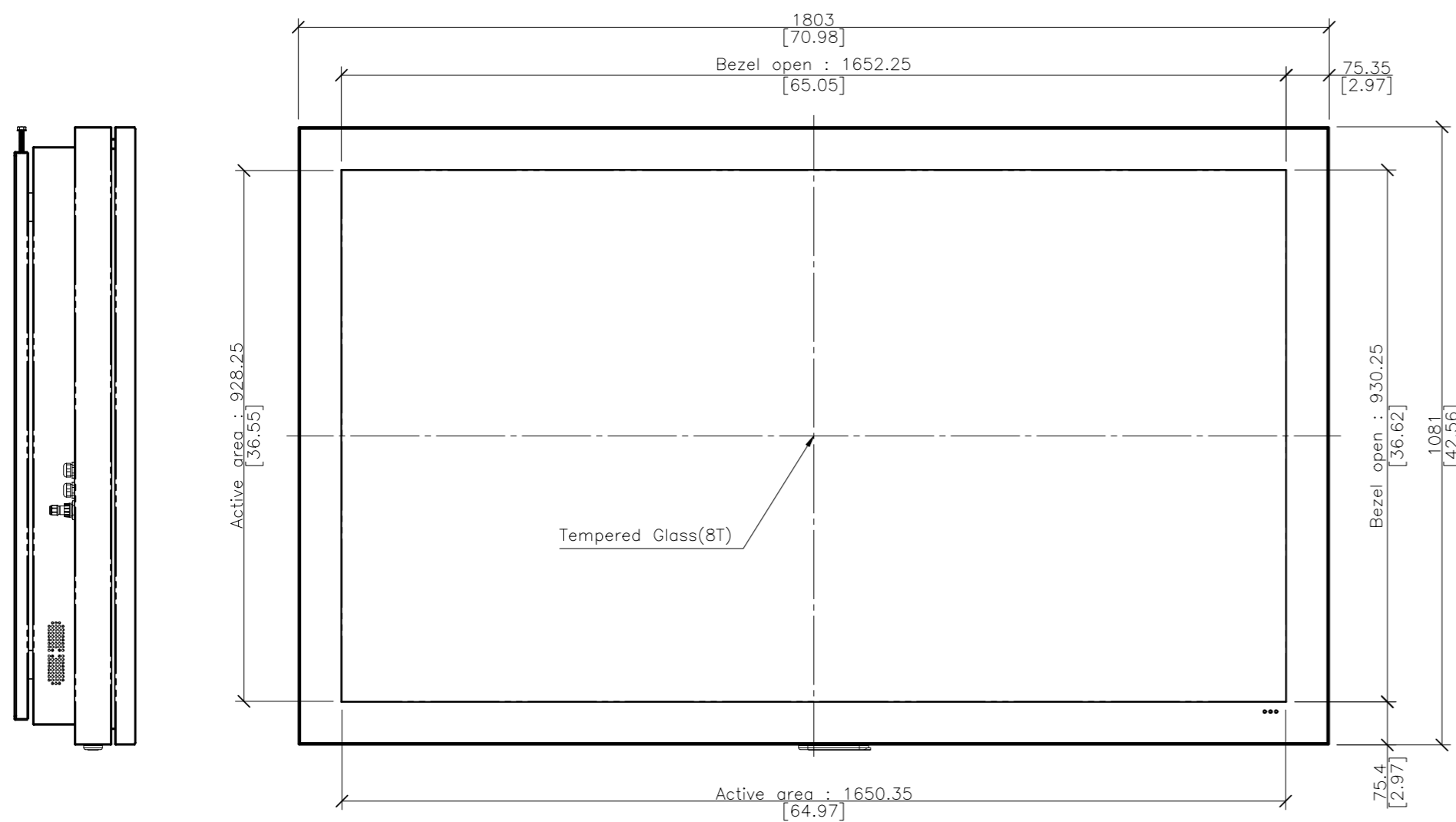
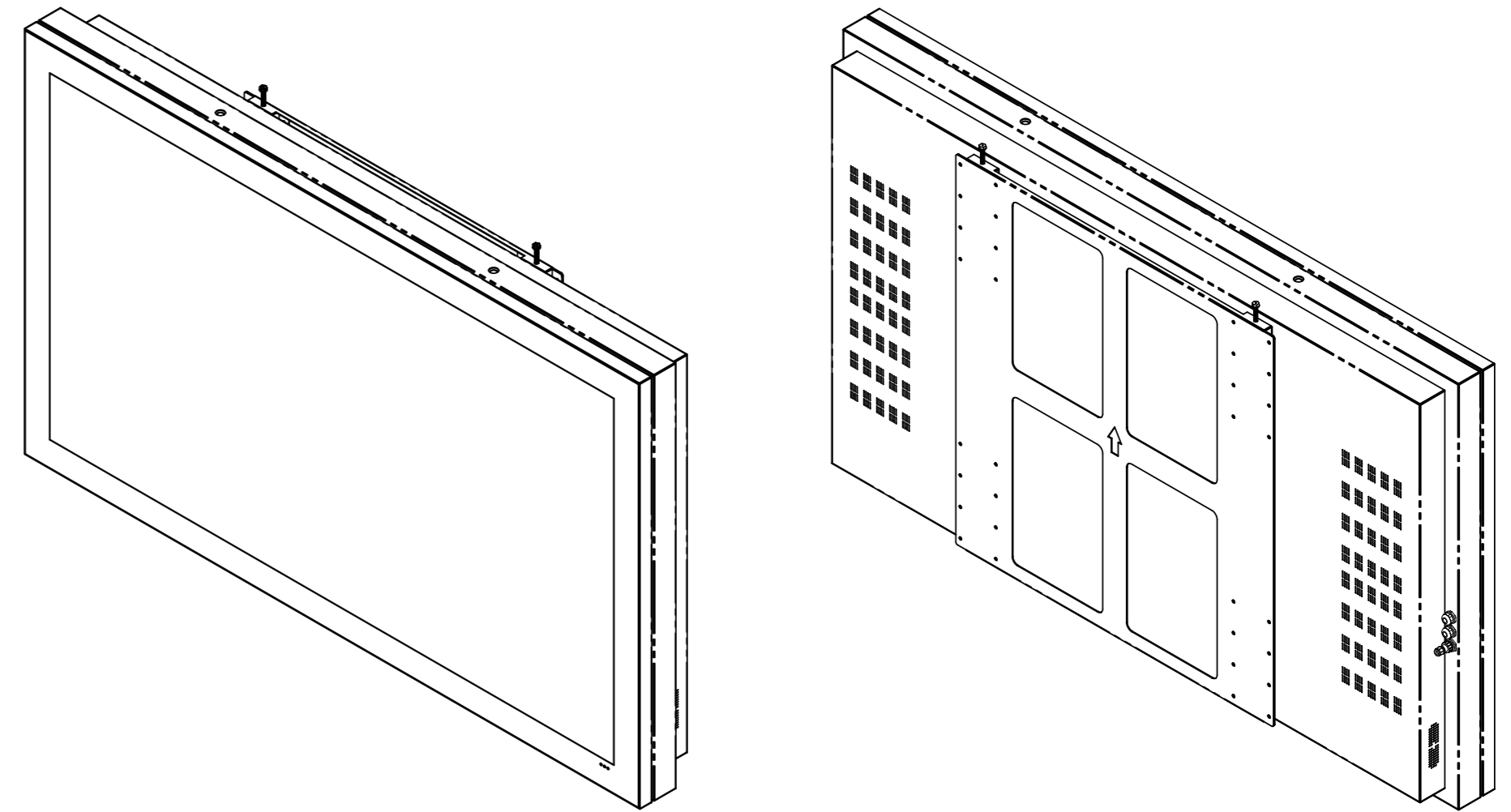
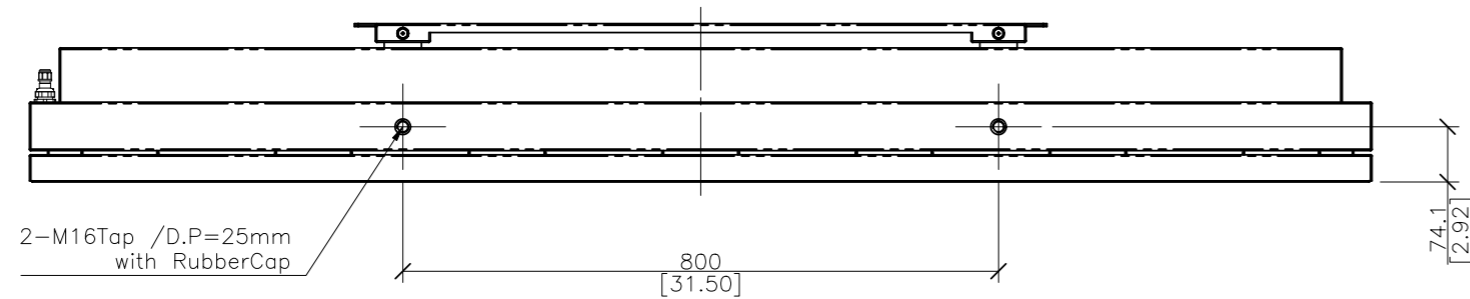


A B C D E F G H I J K L

REV. NO		REV. HISTORY	LTR	ECO NO	DATE	APPR'L
DWG	PART					
00	00	INITIAL RELEASE	-	-	-	-



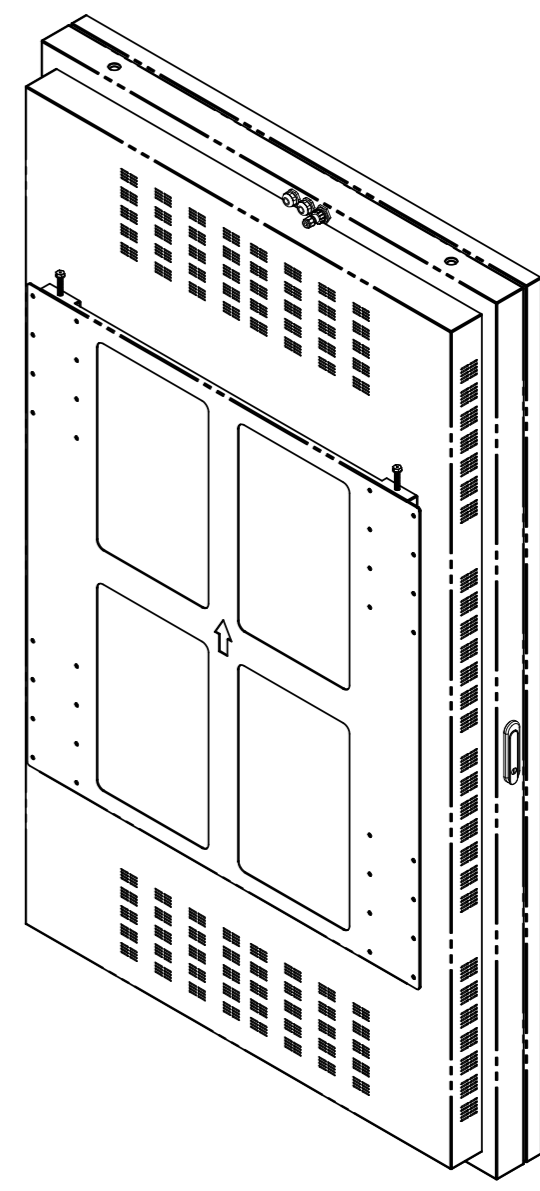
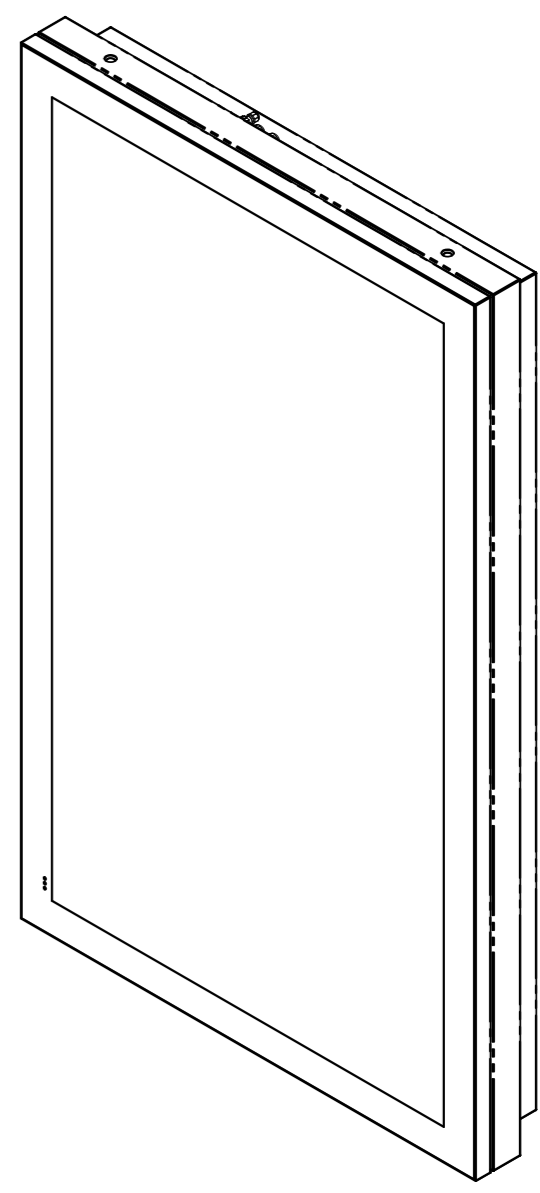
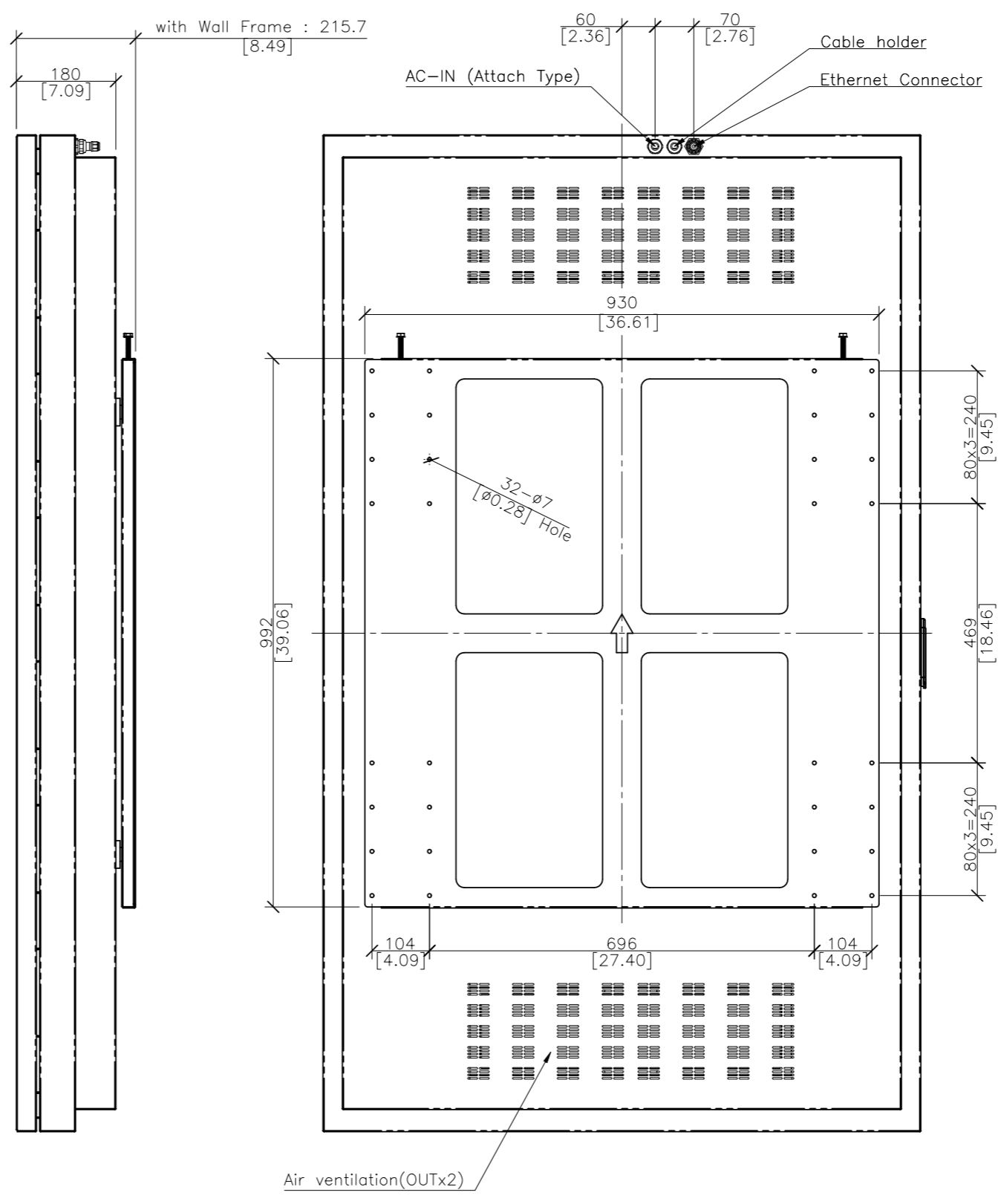
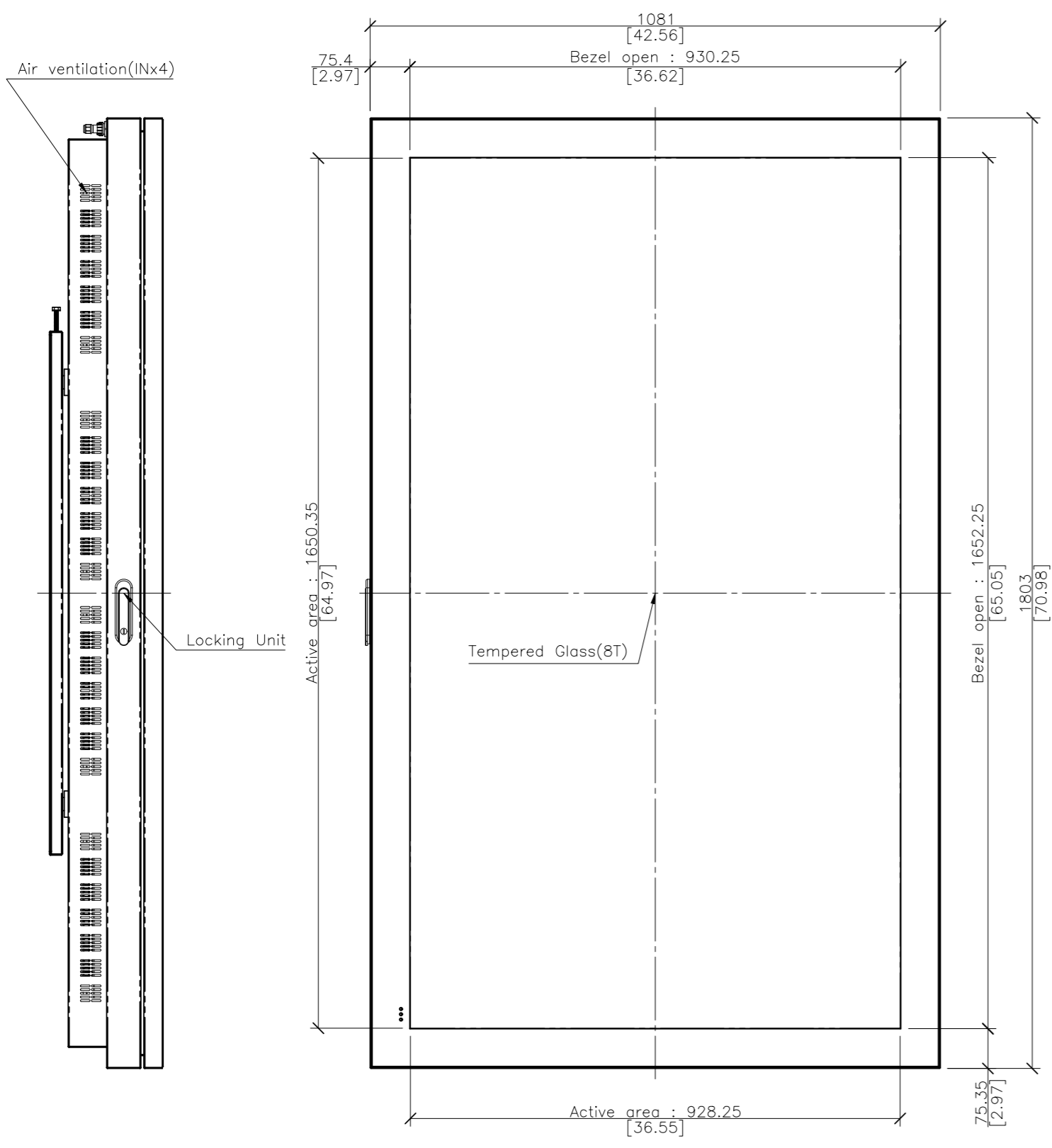
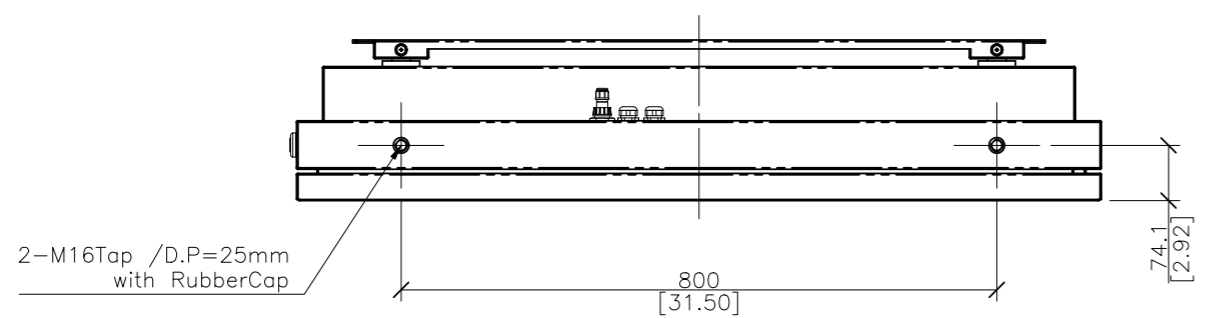
**NOTES**

1. LCD Panel : 75"
2. Material : E.G.I
3. Cabinet Color : Black
4. Tempered Glass : 8.0T (Single AR)
5. STB Space : 240 x 220 x 63

DRAWN	PLANNED	CHECKED	APPROVED	UNLESS OTHERWISE SPECIFIED ALL DIMENSION ARE IN MILLIMETERS	ANGLE 3rd.	TITLE	UNIT : mm
S.H.JANG	S.H.JANG	S.H.JANG	Y.T.KIM	TOLEANCES ARE : LINEAR : X ± 0.20 X ± 0.1 XX ± 0.01 ANGLES : ± 0.1° RADII UNLESS NOTED : R 0.3	SCALE : 1/10	Q757MS(Landscape) EXTERIOR VIEW	TYPE : ASSY
'23.02.22	'23.02.22	'23.02.22	'23.02.22	MODEL NAME (CODE) : Q757MS	CUSTOMER : HDT	DWG REV : 00	SIZE : A2
HYUNDAI IT CO., LTD.				FILE NAME : LAYOUT_Q757MS_230222.DWG	DWG NO : 00	DWG(PART) NO. Q757MS_001	

This drawing is the property of HYUNDAI IT Corp. and should not be disclosed to any third party without prior permission of HYUNDAI IT Corp..

REV. NO		REV. HISTORY	LTR	ECO NO	DATE	APPR'L
DWG	PART					
00	00	INITIAL RELEASE	-	-	-	-

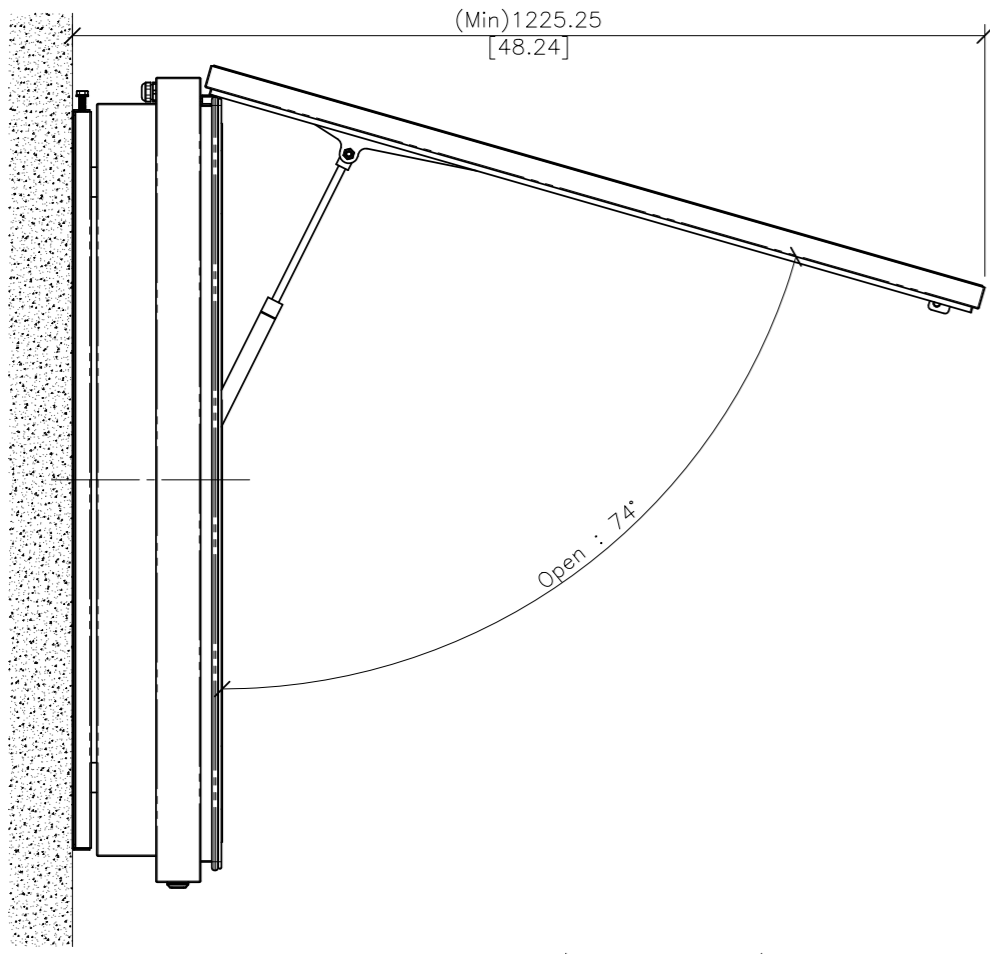


- NOTES**
- LCD Panel : 75"
  - Material : E.G.I
  - Cabinet Color : Black
  - Tempered Glass : 8.0T (Single AR)
  - STB Space : 240 x 220 x 63

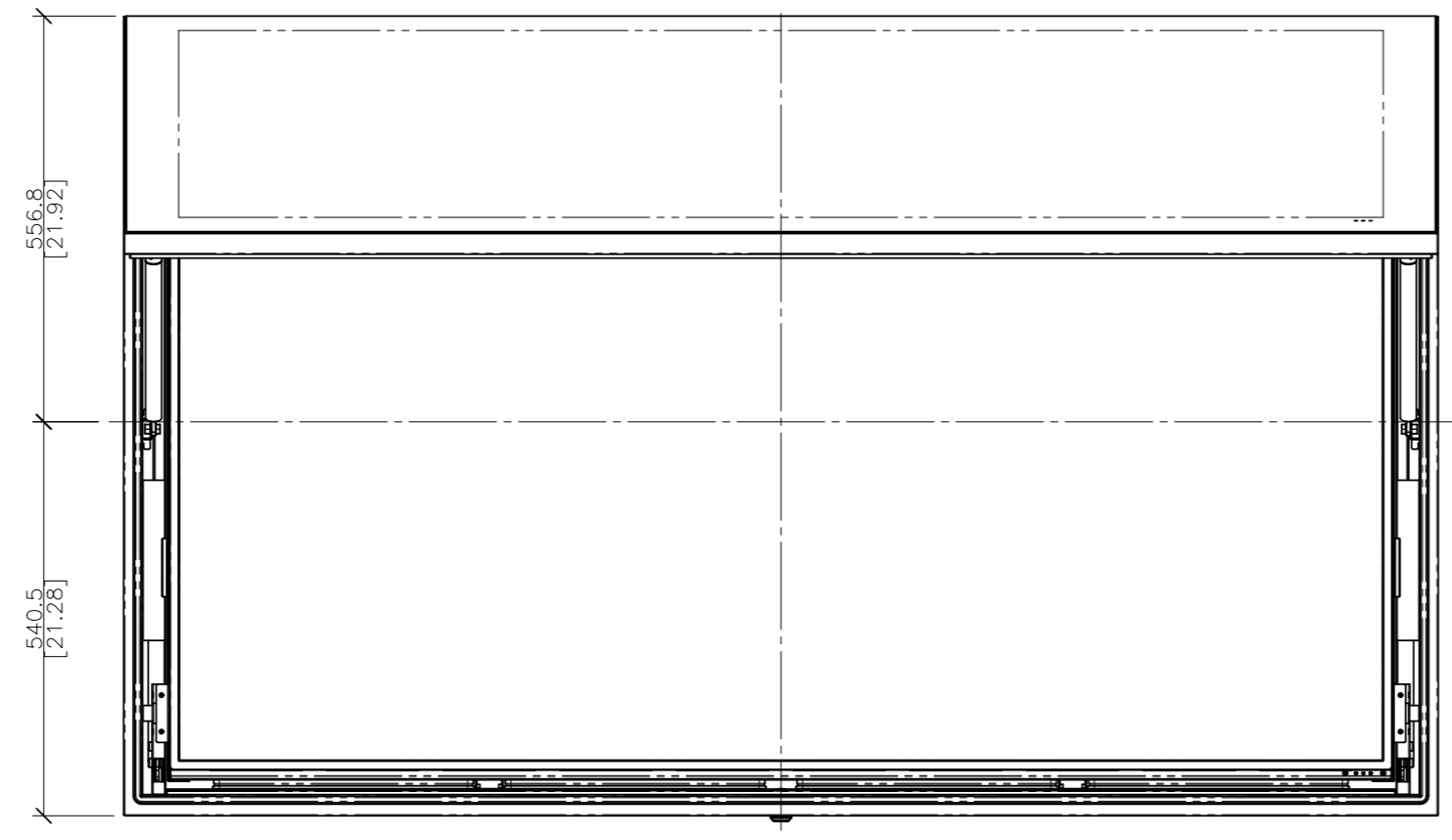
DRAWN	PLANNED	CHECKED	APPROVED	UNLESS OTHERWISE SPECIFIED ALL DIMENSION ARE IN MILLIMETERS	ANGLE 3rd.	TITLE :	UNIT : mm
S.H.JANG	S.H.JANG	S.H.JANG	Y.T.KIM	TOLEANCES ARE : LINEAR : X ± 0.20 X ± 0.1 XX ± 0.01 ANGLE : ± 0.1° RADII UNLESS NOTED : R 0.3	SCALE : 1/10	Q757MS(Portrait) EXTERIOR VIEW	TYPE : ASSY
23.02.22	23.02.22	23.02.22	23.02.22	MODEL NAME (CODE) : Q757MS CUSTOMER HDIT	DWG REV : 00	DWG(PART) NO. Q757MS_002	SIZE : A2
HYUNDAI IT CO., LTD.				FILE NAME : LAYOUT_Q757MS_230222.DWG	SHT NO : 1/1		

This drawing is the property of HYUNDAI IT Corp. and should not be disclosed to any third party without prior permission of HYUNDAI IT Corp.

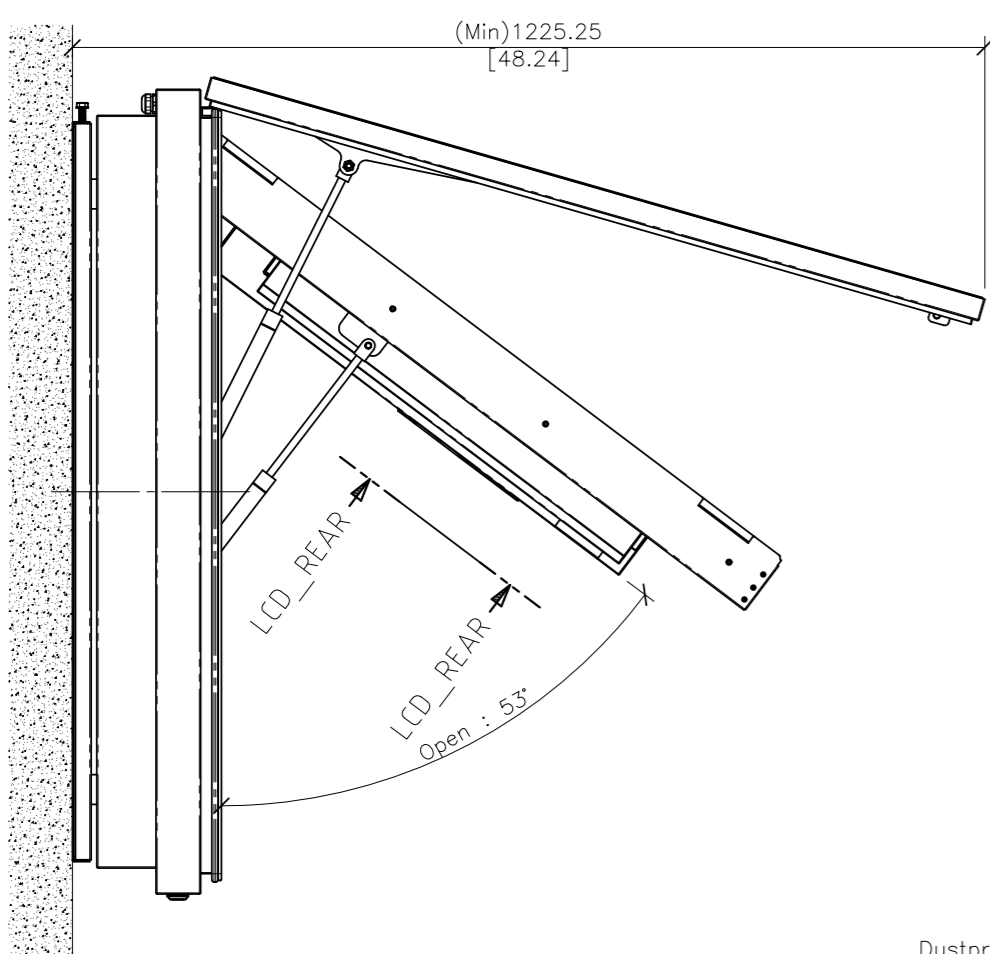
REV. NO		REV. HISTORY	LTR	ECO NO	DATE	APPR'L
DWG	PART					
00	00	INITIAL RELEASE	-	-	-	-



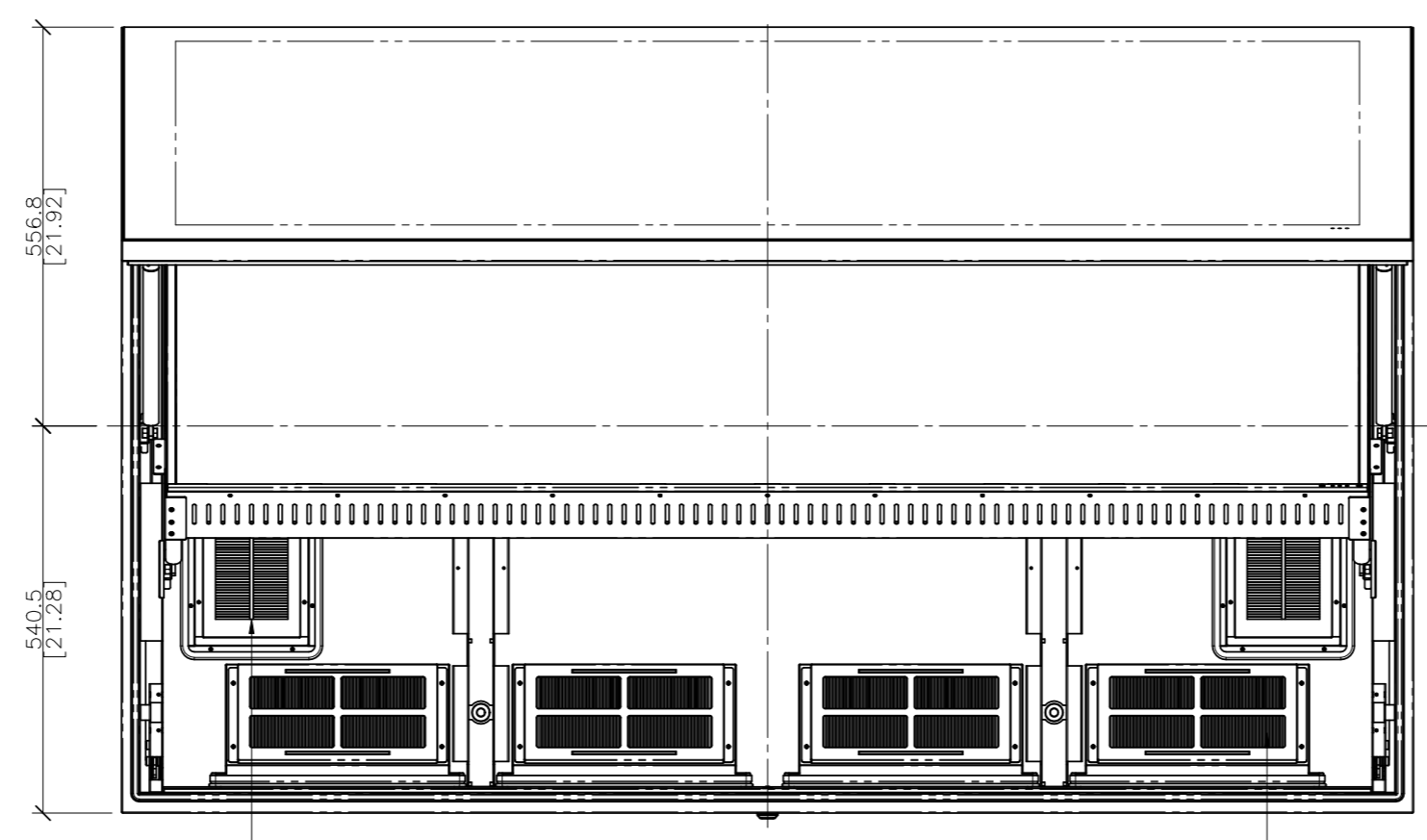
Door Open (Side view)



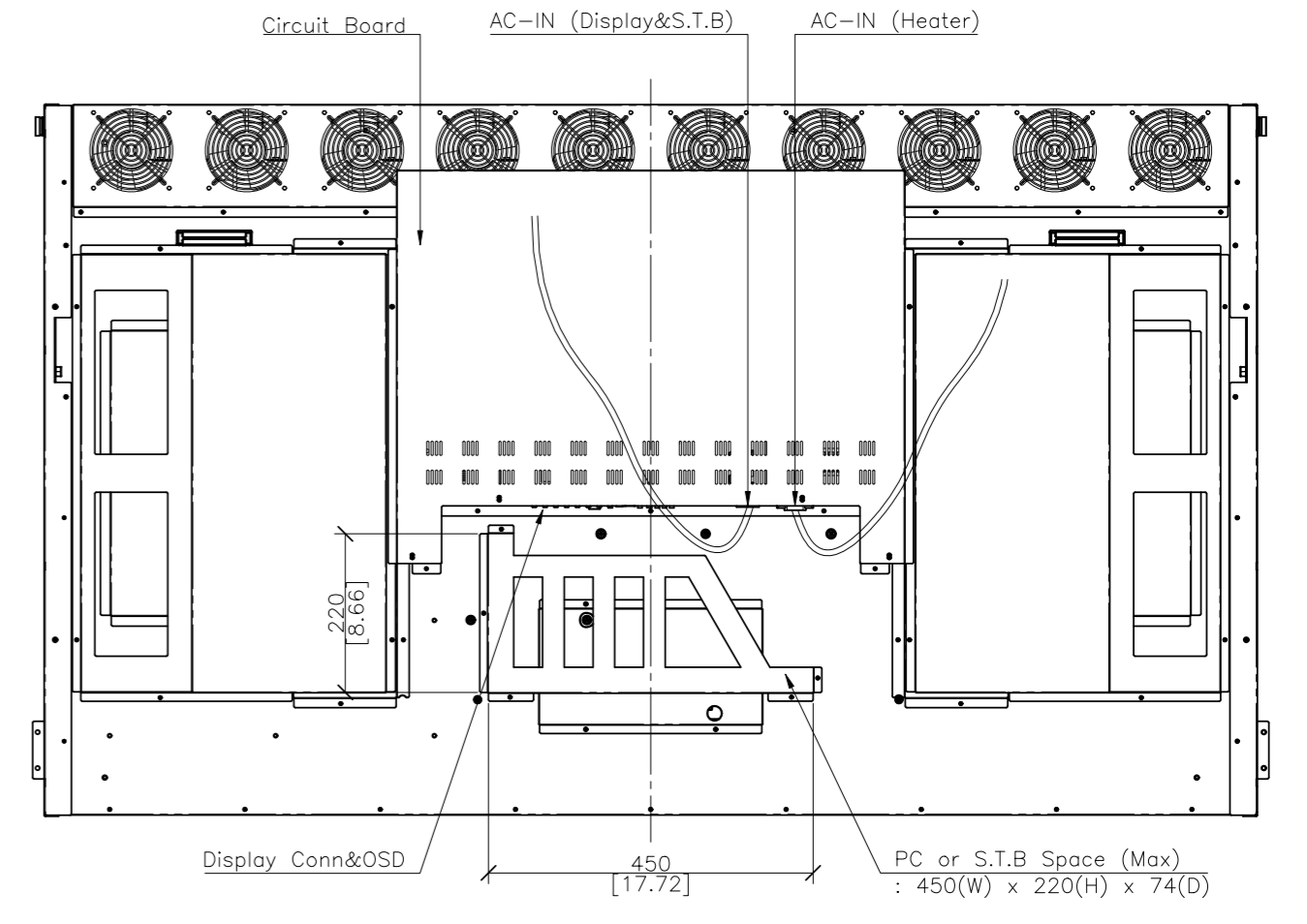
Door Open (Front view)



LCD Open (Side view)



LCD Open (Front view)



Section-LCD Rear (Open view)

This drawing is the property of HYUNDAI IT Corp. and should not be disclosed to any third party without prior permission of HYUNDAI IT Corp.

DRAWN	PLANNED	CHECKED	APPROVED	UNLESS OTHERWISE SPECIFIED ALL DIMENSION ARE IN MILLIMETERS TOLERANCES ARE: LINEAR : X ± 0.20 X ± 0.1 XX ± 0.01 ANGLES : ± 0.1° RADI UNLESS NOTED : R 0.3	ANGLE 3rd.	TITLE : <b>Q757MS(Open)</b> EXTERIOR VIEW	UNIT : mm
S.W.SEO	S.H.JANG	S.H.JANG	Y.T.KIM		SCALE : 1/10		TYPE : ASSY
'18.09.28	'18.09.28	'18.09.28	'18.09.28				
HYUNDAI IT CO., LTD.				MODEL NAME (CODE): Q757MS	CUSTOMER: HDT	DWG REV : 00	DWG(PART) NO. Q757MS_003
				FILE NAME : LAYOUT_Q757MS_230222.DWG		SHT NO : 1/1	SIZE : A2