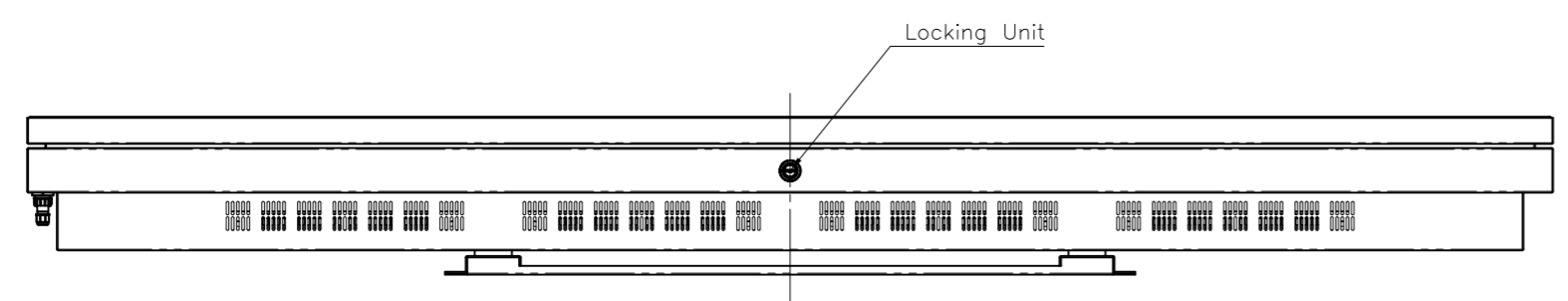
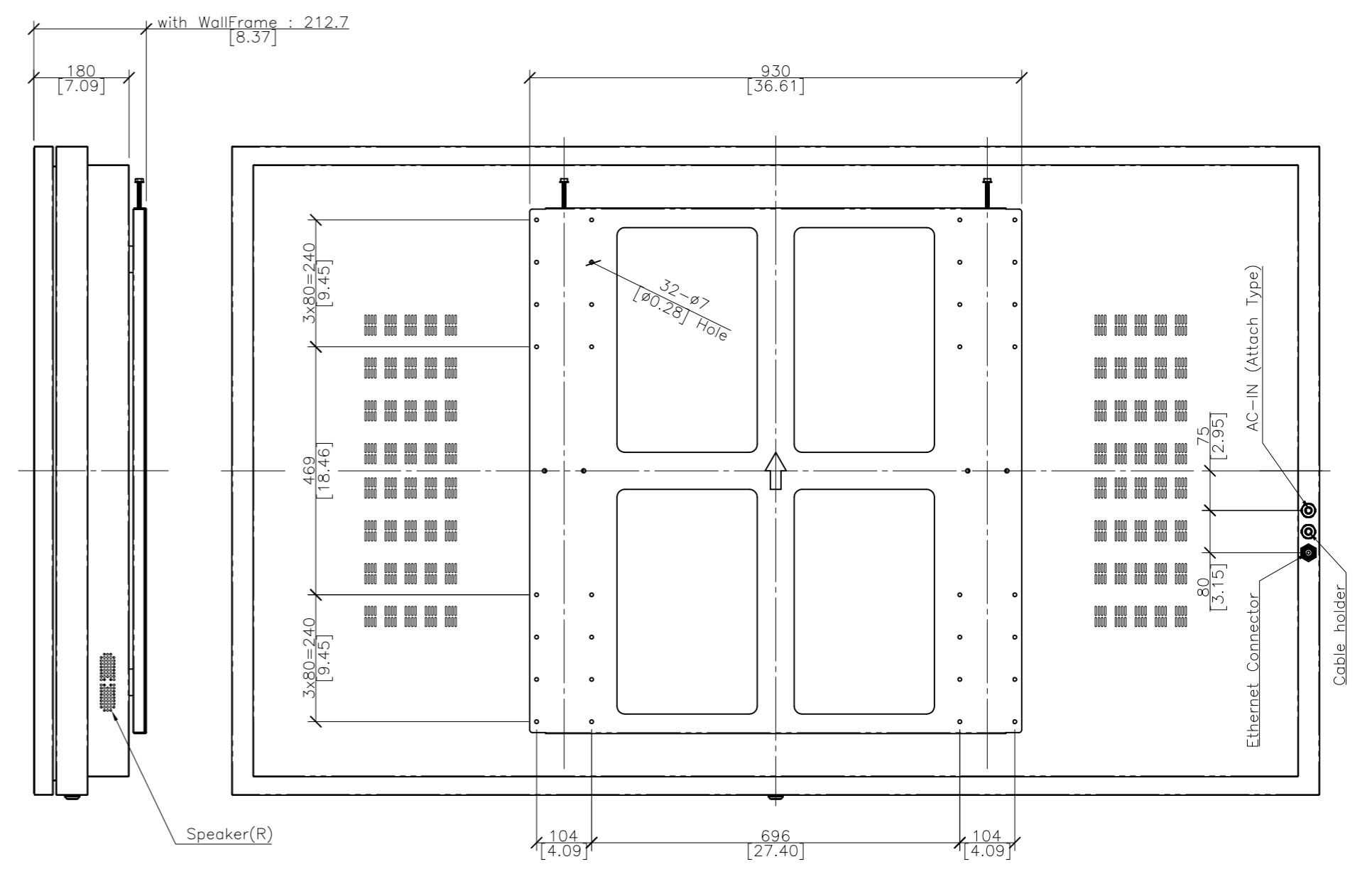
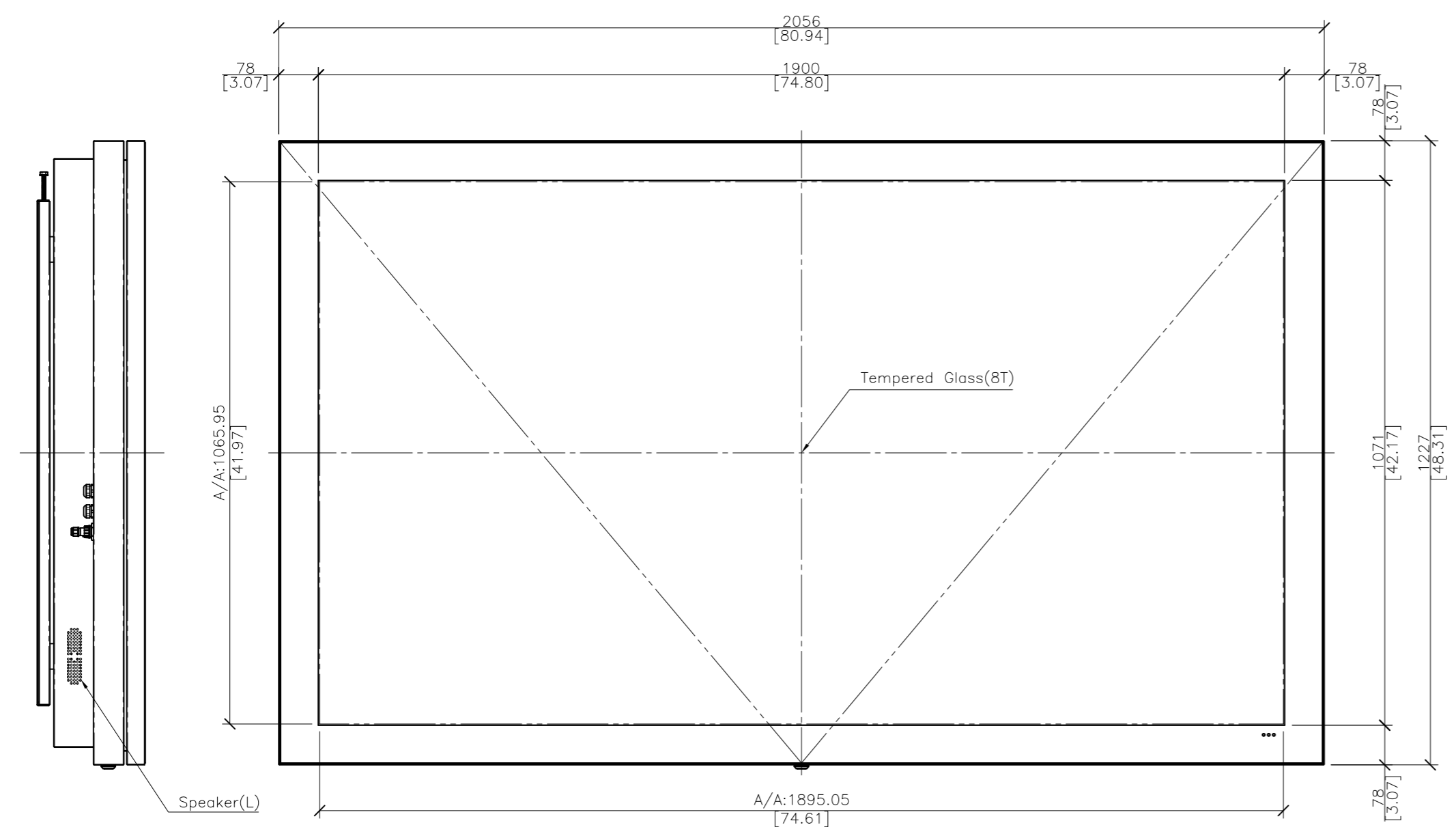
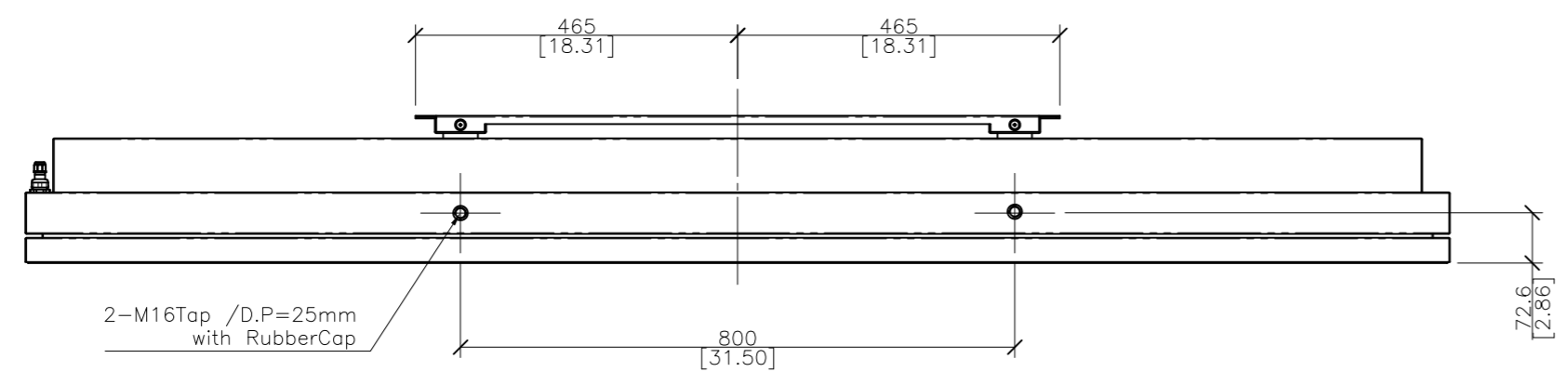


REV. NO		REV. HISTORY	LTR	ECO NO	DATE	APPR'L
DWG	PART					
00	00	INITIAL RELEASE	-	-	-	-



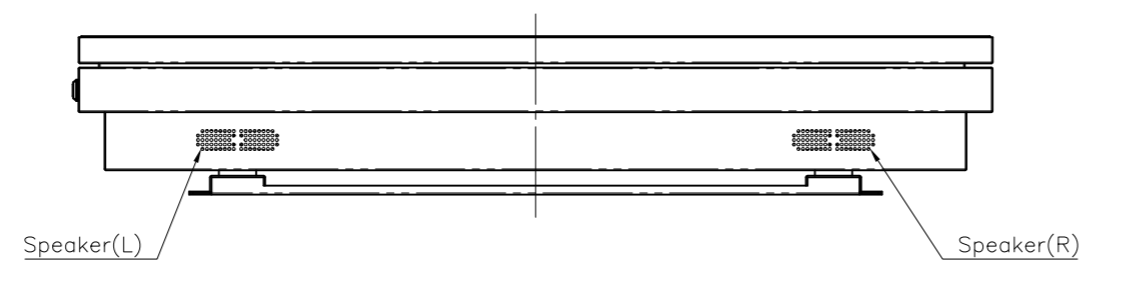
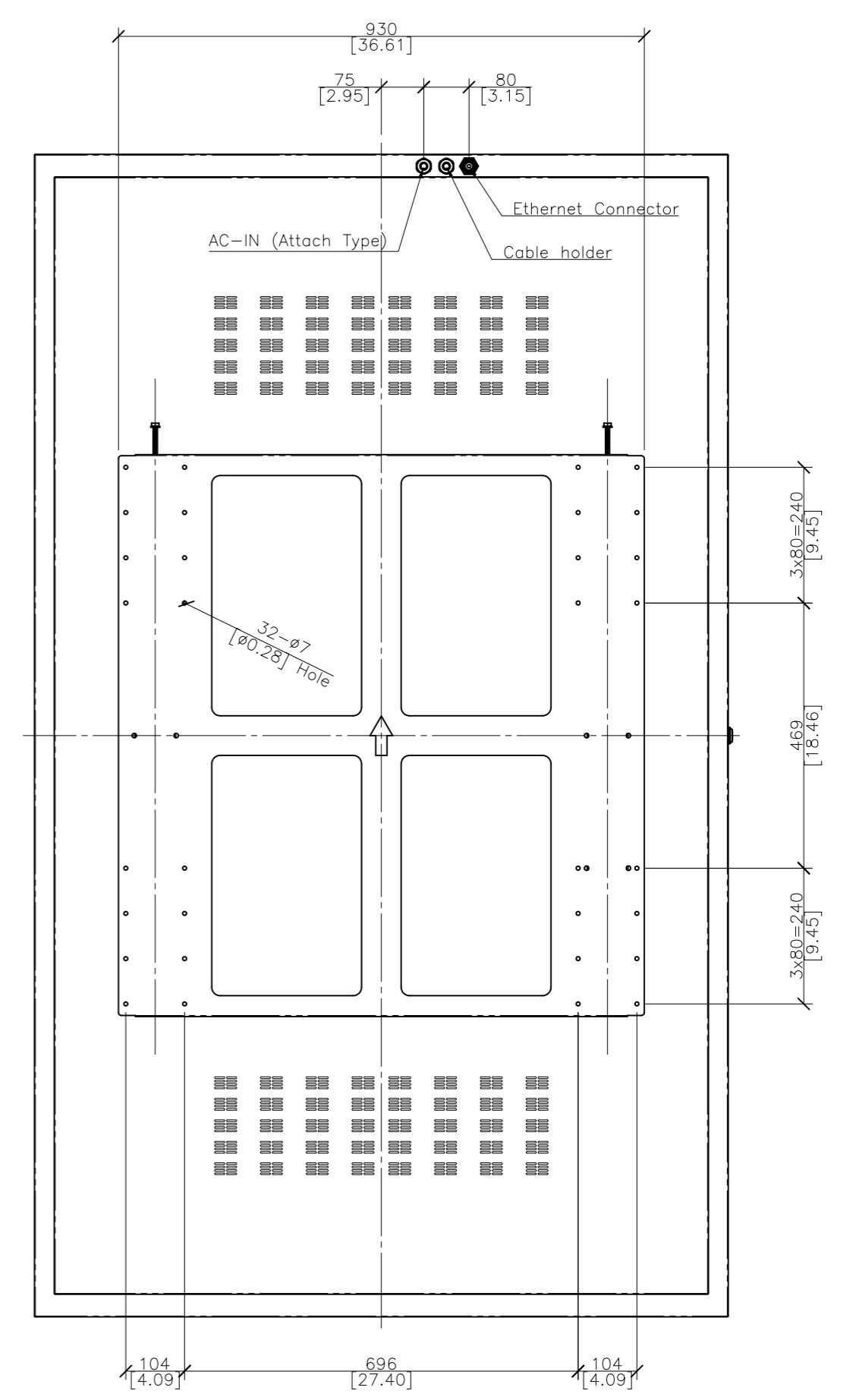
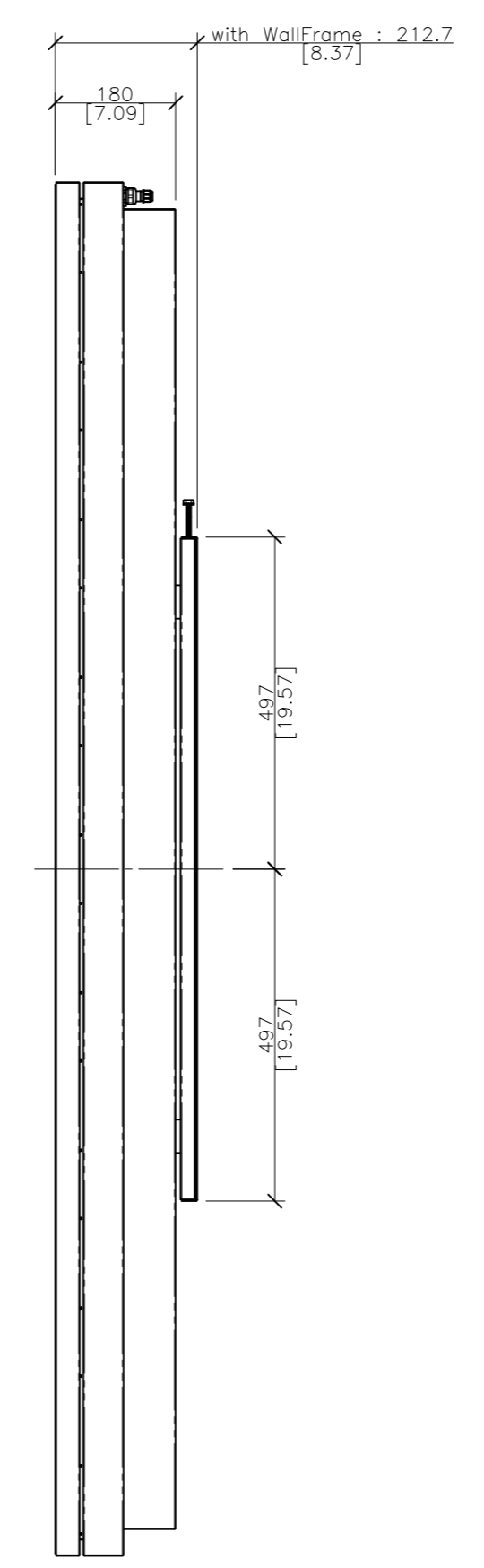
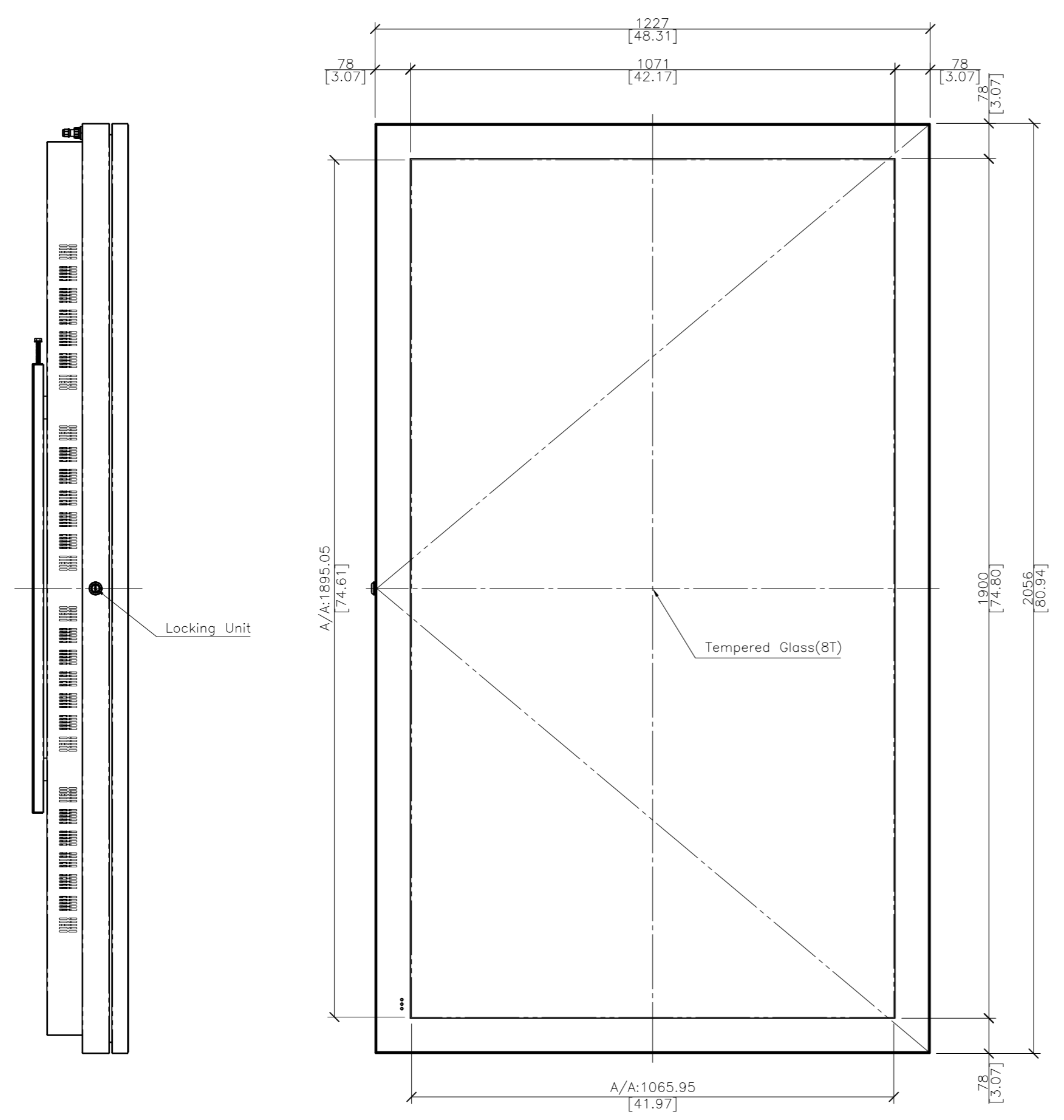
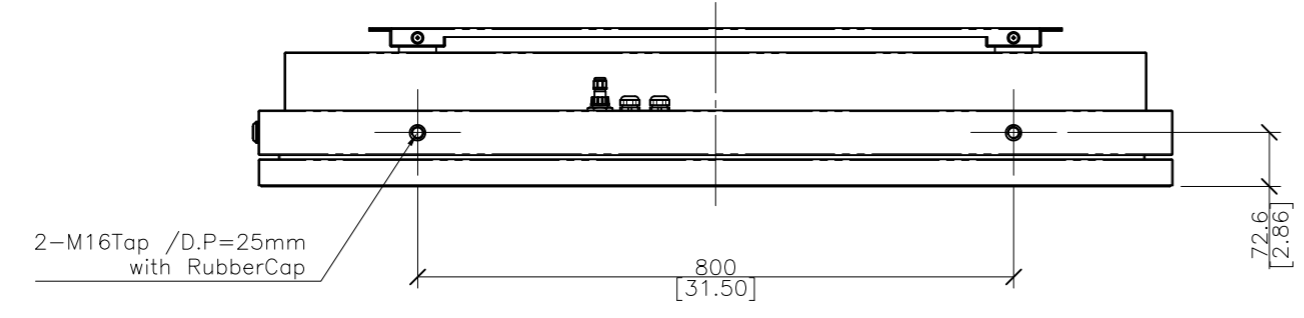
NOTES.

1. LCD Panel : 86"
2. Material : E.G.I
3. Cabinet Color : Black
4. Tempered Glass : 8.0T (Single AR)
5. VESA 800 by 800 (M12)

DRAWN	PLANNED	CHECKED	APPROVED	UNLESS OTHERWISE SPECIFIED ALL DIMENSION ARE IN MILLIMETERS	ANGLE. 3rd.	TITLE :	UNIT : mm
S.H.JANG	S.H.JANG	S.H.JANG	Y.T.KIM	TOLERANCES ARE: LINEAR: X ± 0.20 X ± 0.1 XX ± 0.01 ANGLES: ± 0.1° RADI: UNLESS NOTED: R 0.3	SCALE: 1/10	Q867MS (Landscape) EXTERIOR VIEW	TYPE: ASSY
'17.07.24	'17.07.24	'17.07.24	'17.07.24	MODEL NAME (CODE): Q867MS	CUSTOMER: HDIT	DWG REV: 00	DWG(PART) NO. Q867MS_001
HYUNDAI IT CO., LTD.				FILE NAME: LAYOUT_Q867MS_180724.DWG	SHT NO: 1/1	SIZE: A2	

This drawing is the property of HYUNDAI IT Corp. and should not be disclosed to any third party without prior permission of HYUNDAI IT CO., LTD.

REV. NO		REV. HISTORY	LTR	ECO NO	DATE	APPR'L
DWG	PART					
00	00	INITIAL RELEASE	-	-	-	-



NOTES.

1. LCD Panel : 86"
2. Material : E.G.I
3. Cabinet Color : Black
4. Tempered Glass : 8.0T (Single AR)
5. VESA 800 by 800 (M12)

DRAWN	PLANNED	CHECKED	APPROVED	UNLESS OTHERWISE SPECIFIED ALL DIMENSION ARE IN MILLIMETERS	ANGLE 3rd.	TITLE : Q867MS (Portrait) EXTERIOR VIEW	UNIT : mm
S.H.JANG	S.H.JANG	S.H.JANG	Y.T.KIM		SCALE : 1/10		TYPE : ASSY
'17.07.24	'17.07.24	'17.07.24	'17.07.24	TOLERANCES ARE: LINEAR : X ± 0.20 X ± 0.1 XX ± 0.01 ANGLES : ± 0.1° RADIUS UNLESS NOTED : R 0.3	DWG REV : 00	DWG(PART) NO. Q867MS_002	SIZE : A2
HYUNDAI IT CO., LTD.			MODEL NAME (CODE): Q867MS				
				FILE NAME : LAYOUT_Q867MS_180724.DWG			

This drawing is the property of HYUNDAI IT Corp. and should not be disclosed to any third party without prior permission of HYUNDAI IT CO., LTD.