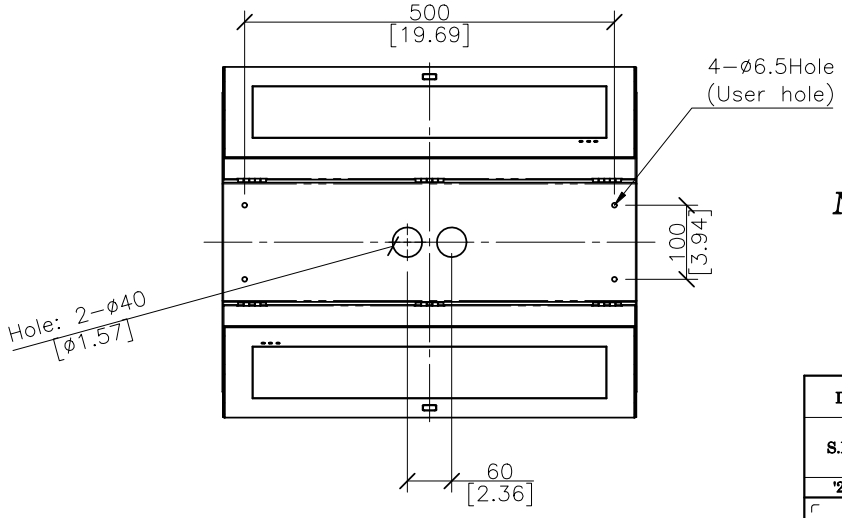
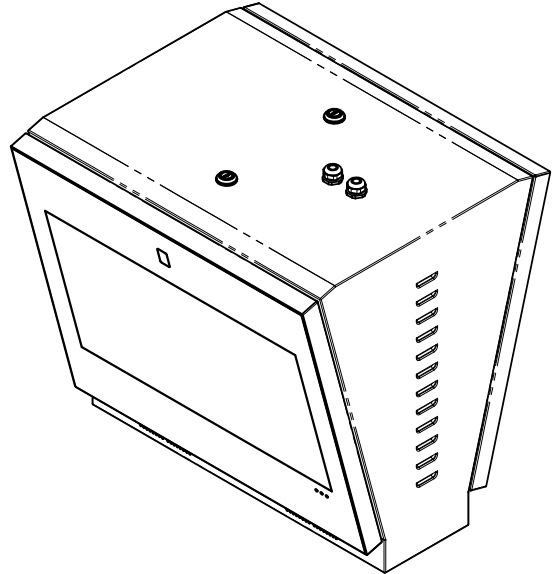
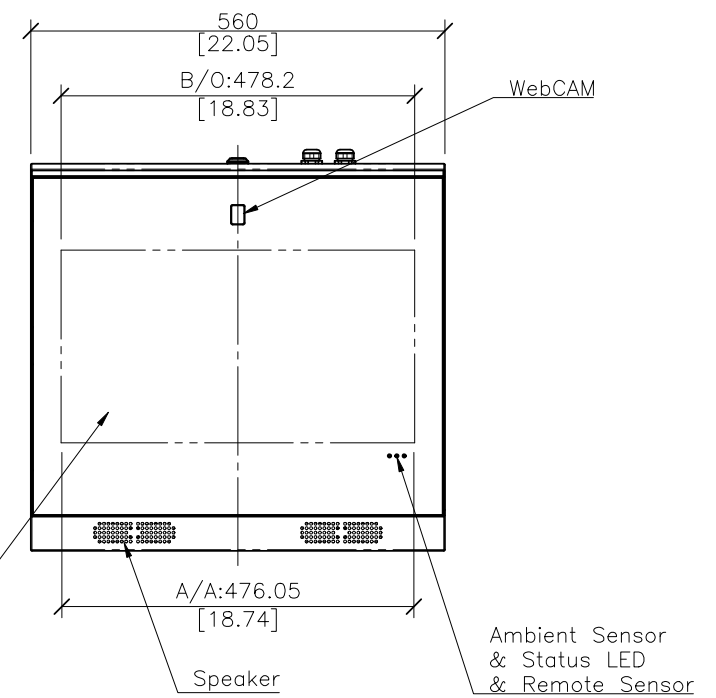
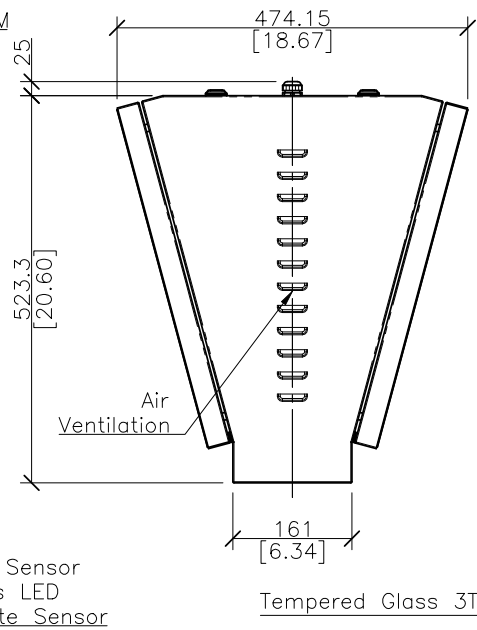
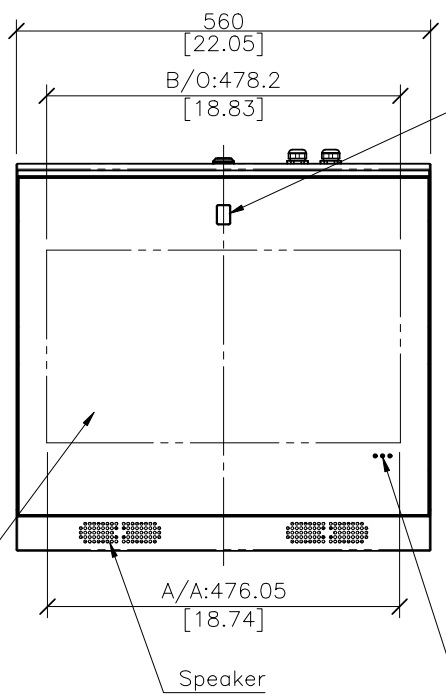
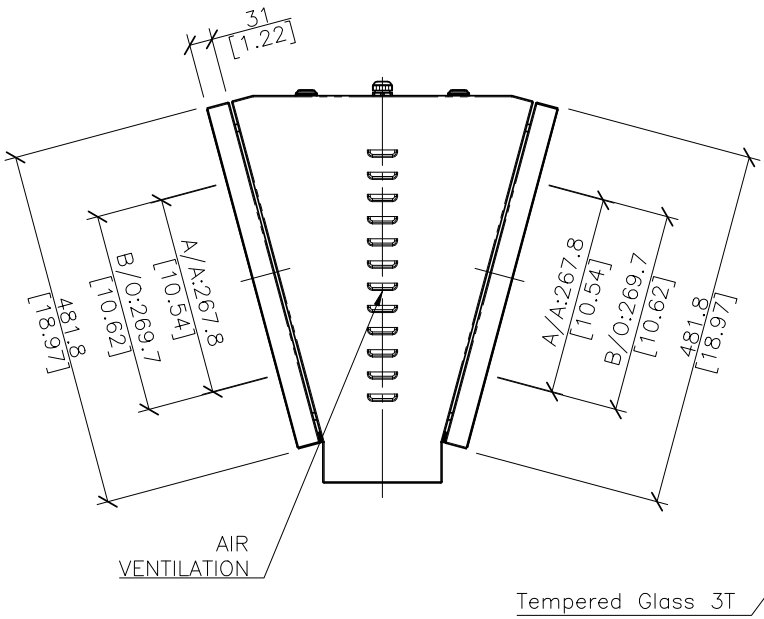
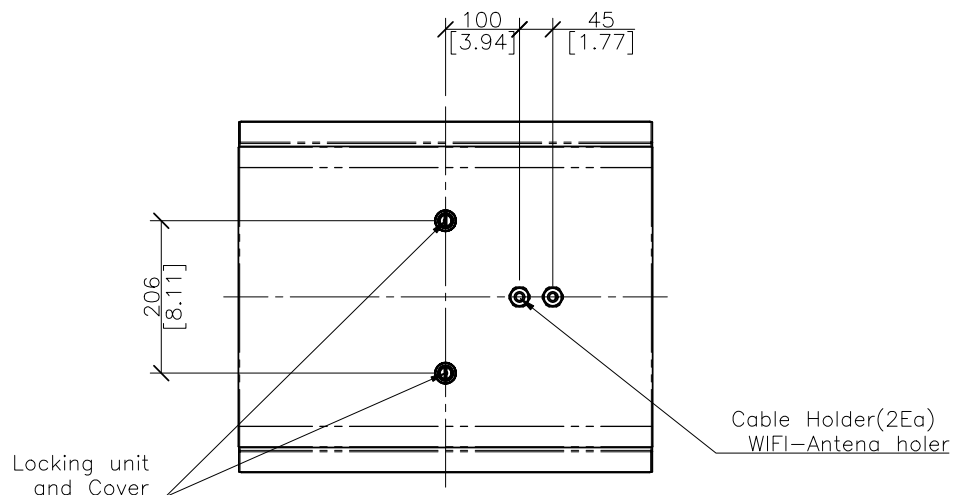


This drawing is the property of HYUNDAI IT CO, LTD. and should not be disclosed to any third party without prior permission of HYUNDAI IT CO, LTD.

REV. NO		REV. HISTORY	LTR	ECO NO	DATE	APPR'L
DWG	PART					
00	00	INITIAL RELEASE	-	-	-	-

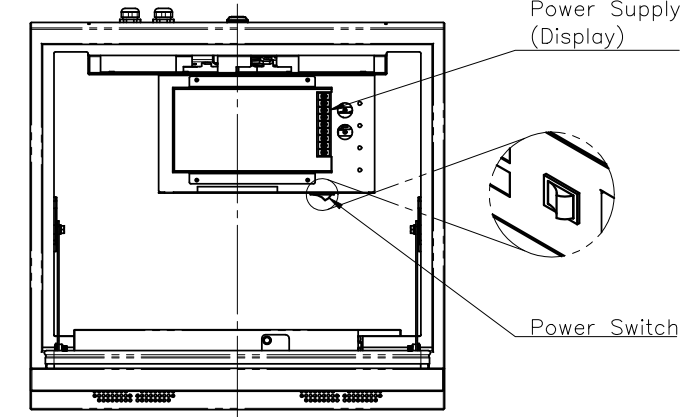
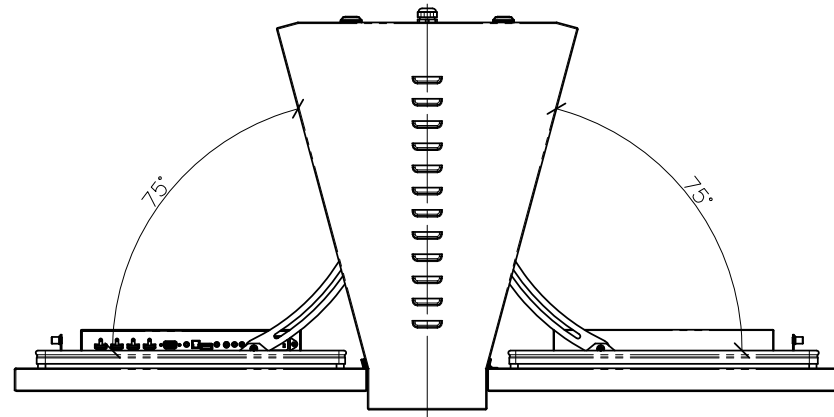
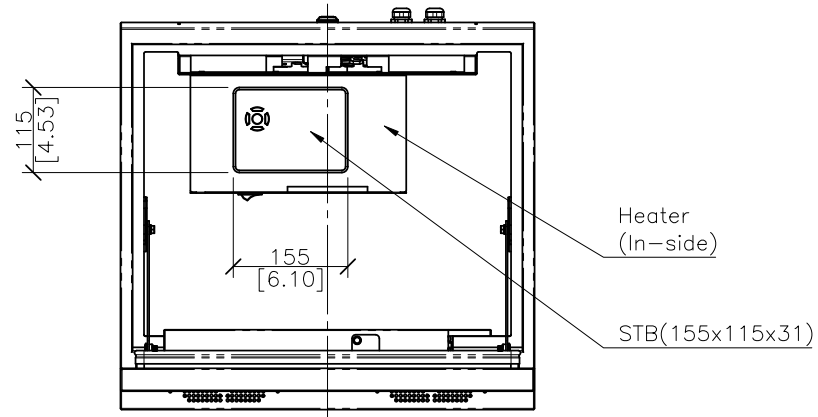
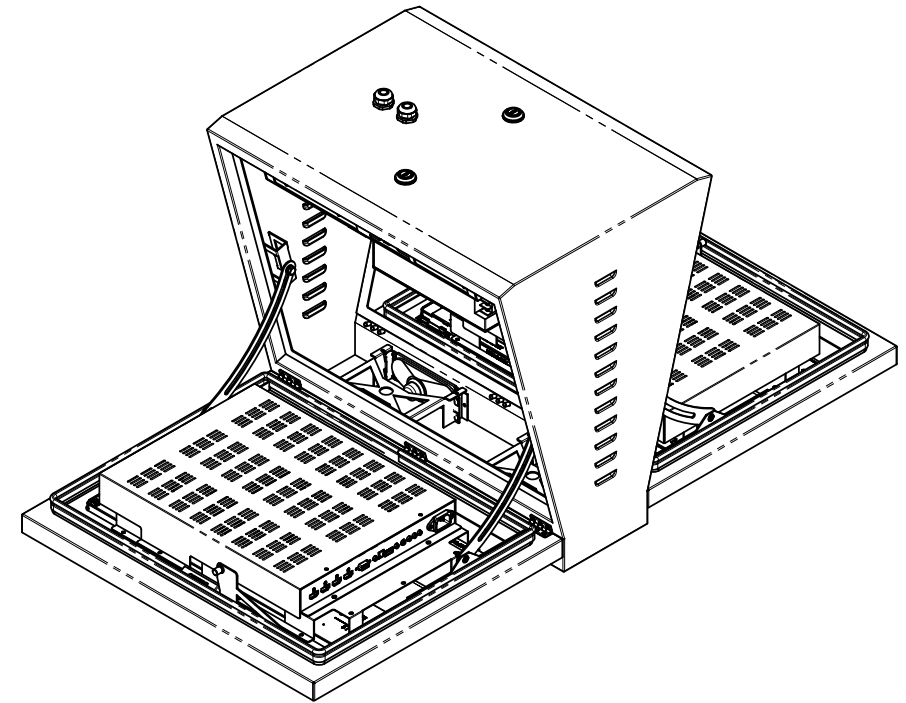
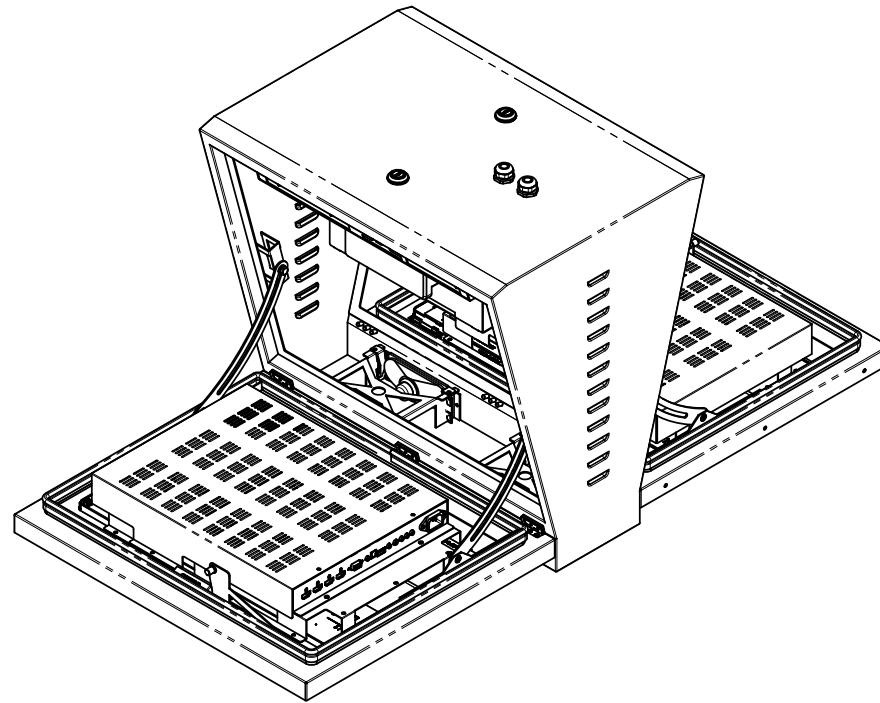
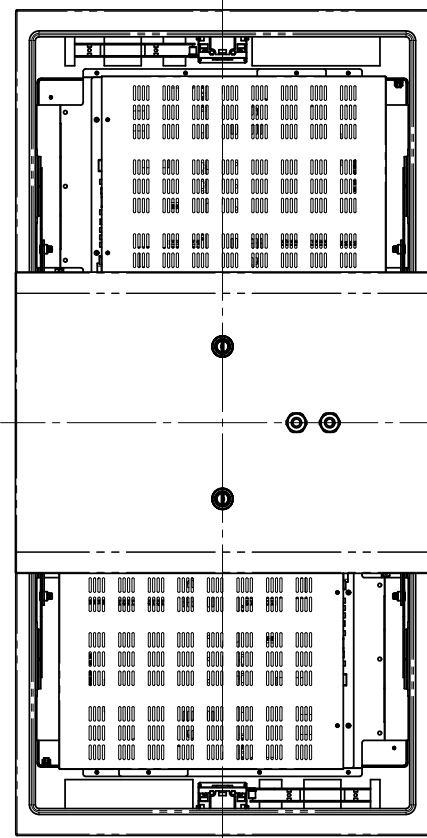


- NOTES,**
1. LCD Panel : 21.5" ,1500nit
  2. Color : White
  3. Cabinet Material : EGI 1.6T
  4. Ingress Protection : IP54

DRAWN	PLANNED	CHECKED	APPROVED	UNLESS OTHERWISE SPECIFIED ALL DIMENSION ARE IN MILLIMETERS	ANGLE 3rd.	TITLE : H213MD EXTERIOR VIEW	UNIT : mm
S.H.JANG	S.H.JANG	-	Y.T.KIM	TOLERANCES ARE : LINEAR : X ± 0.2 X ± 0.1 XX ± 0.01 ANGLES : ± 0.1° RADI UNLESS NOTED : R 0.3	SCALE : 1/10		TYPE : ASSY
'20.06.17	'20.06.17	-	'20.06.17	MODEL NAME (CODE): H213MD	CUSTOMER: KYODOCOM	DWG REV : 00	SIZE : A3
HYUNDAI IT CO., LTD.				FILE NAME : LAYOUT_H213MD_KYD_200617.DWG	SHT NO : 1/1	DWG(PART) NO. H213MD_101	

A B C D E F G H I J

REV. NO		REV. HISTORY	LTR	ECO NO	DATE	APPR'L
DWG	PART					
00	00	INITIAL RELEASE	-	-	-	-



**NOTES,**

1. LCD Panel : 21.5" ,1500nit
2. Color : White
3. Cabinet Material : EGI 1.6T
4. Ingress Protection : IP54

DRAWN	PLANNED	CHECKED	APPROVED	UNLESS OTHERWISE SPECIFIED ALL DIMENSION ARE IN MILLIMETERS	ANGLE. 3rd.	TITLE :	UNIT :
S.H.JANG	S.H.JANG	-	Y.T.KIM	TOLERANCES ARE : LINEAR : X ± 0.2 X ± 0.1 XX ± 0.01 ANGLES : ± 0.1° RADIUS UNLESS NOTED : R 0.3	SCALE : 1/10		H213MD EXTERIOR VIEW
'20.06.17	'20.06.17	-	'20.06.17		DWG REV : 00	DWG(PART) NO. H213MD_102	
HYUNDAI IT CO., LTD.				MODEL NAME (CODE): H213MD	CUSTOMER: KYODOCOM	DWG REV : 00	SIZE : A3
				FILE NAME : LAYOUT_H213MD_KYD_200617.DWG		SHT NO : 1/1	

This drawing is the property of HYUNDAI IT CO, LTD. and should not be disclosed to any third party without prior permission of HYUNDAI IT CO, LTD.