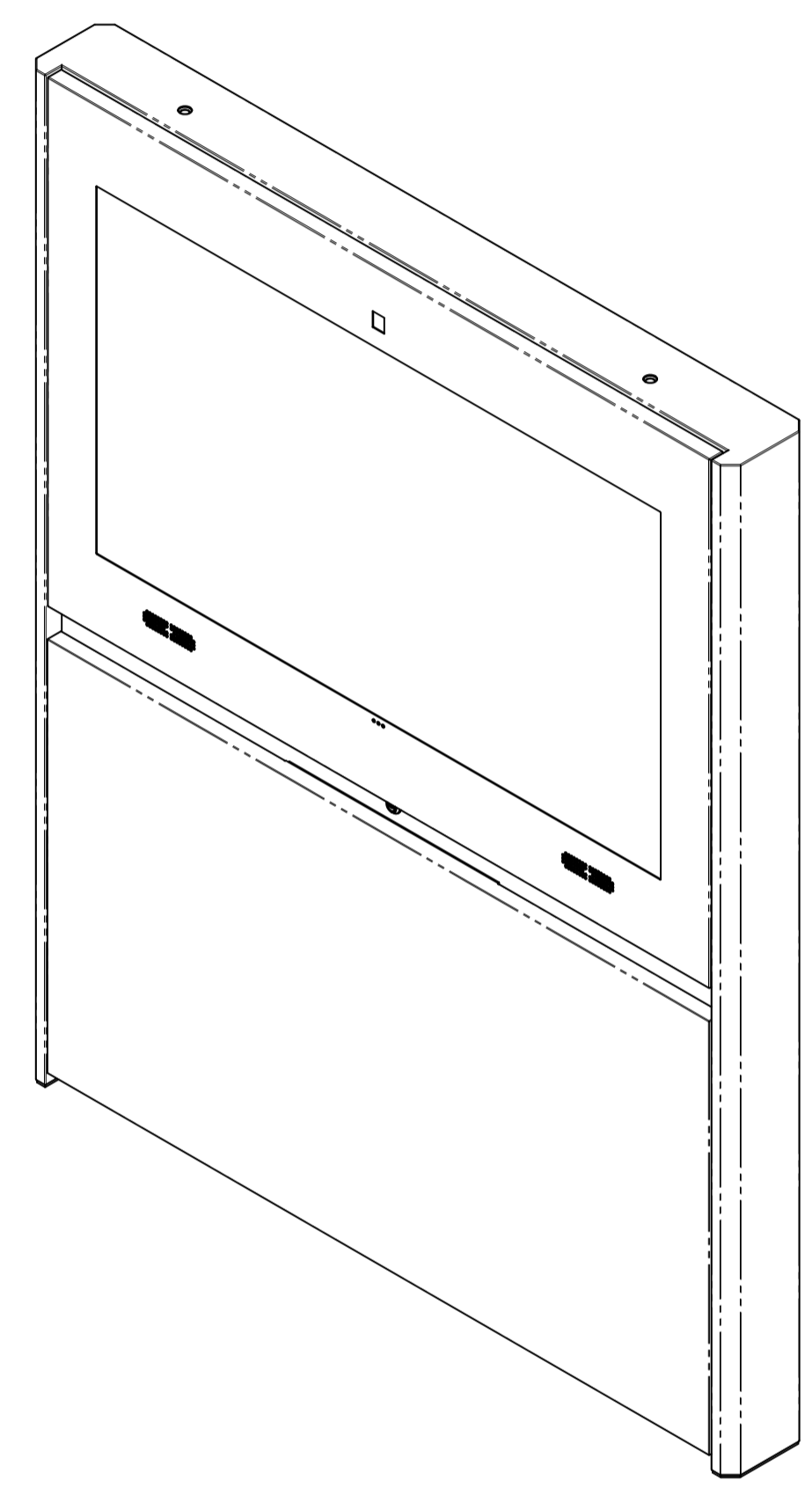
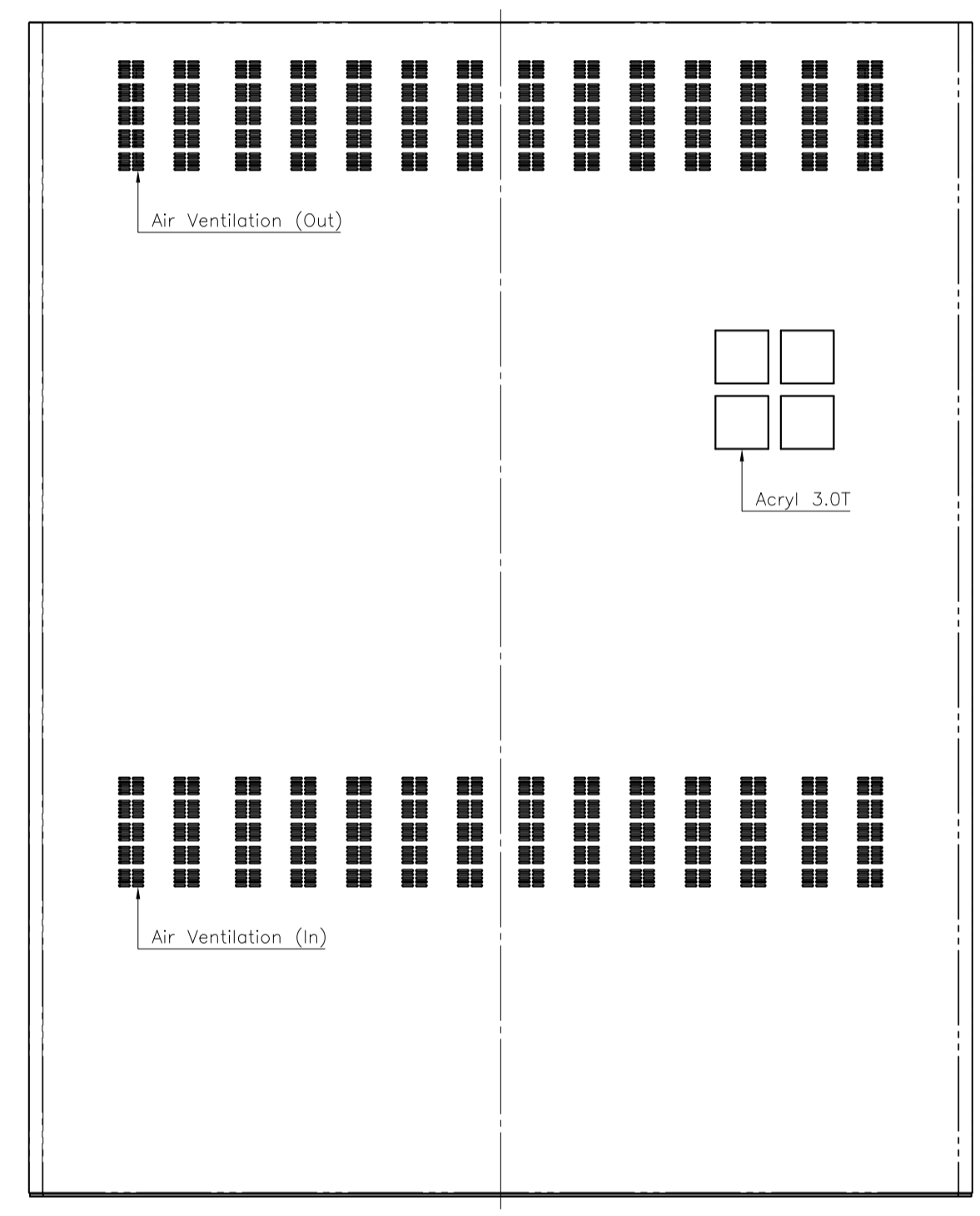
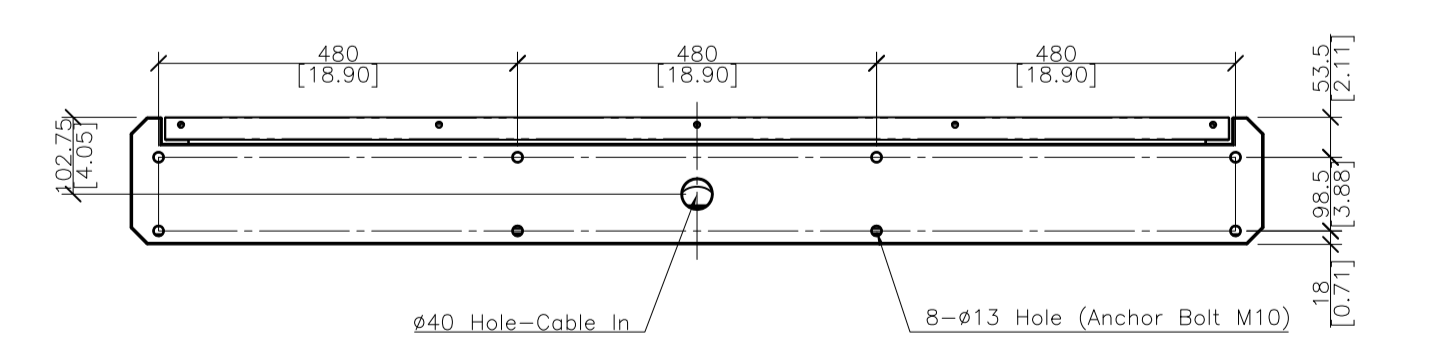
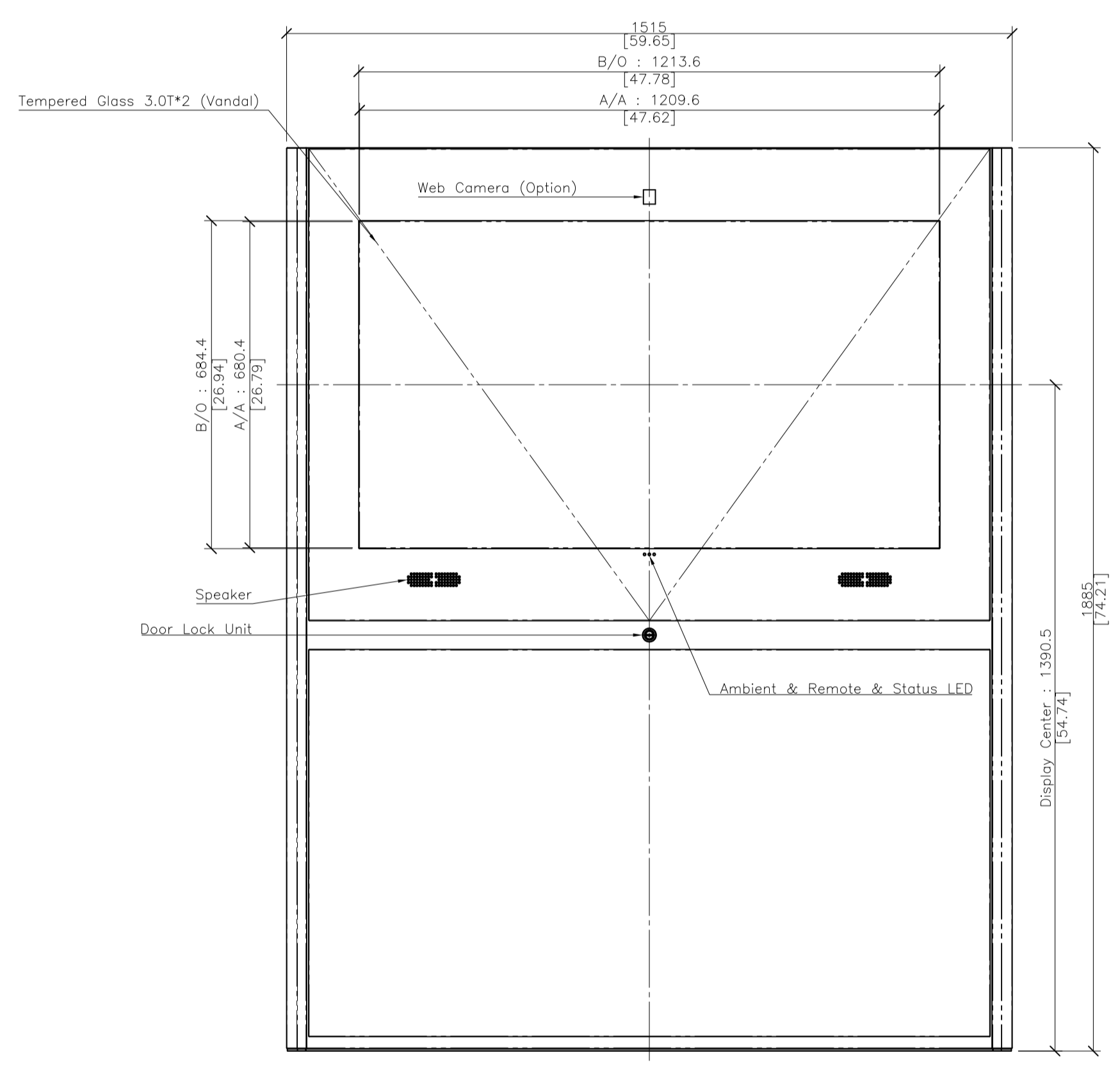
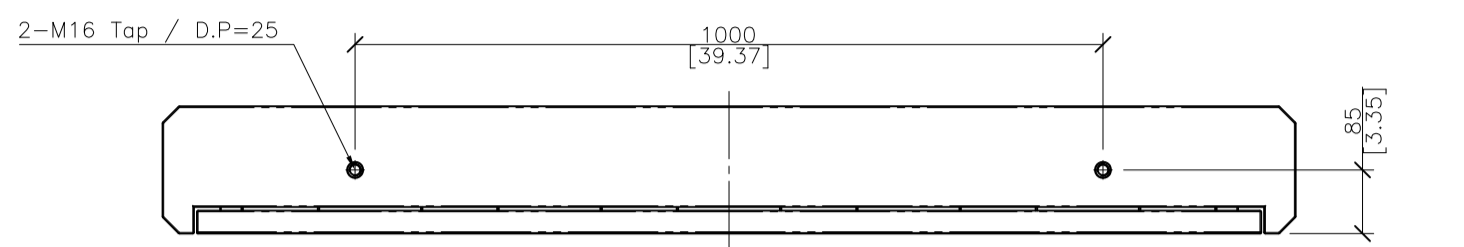


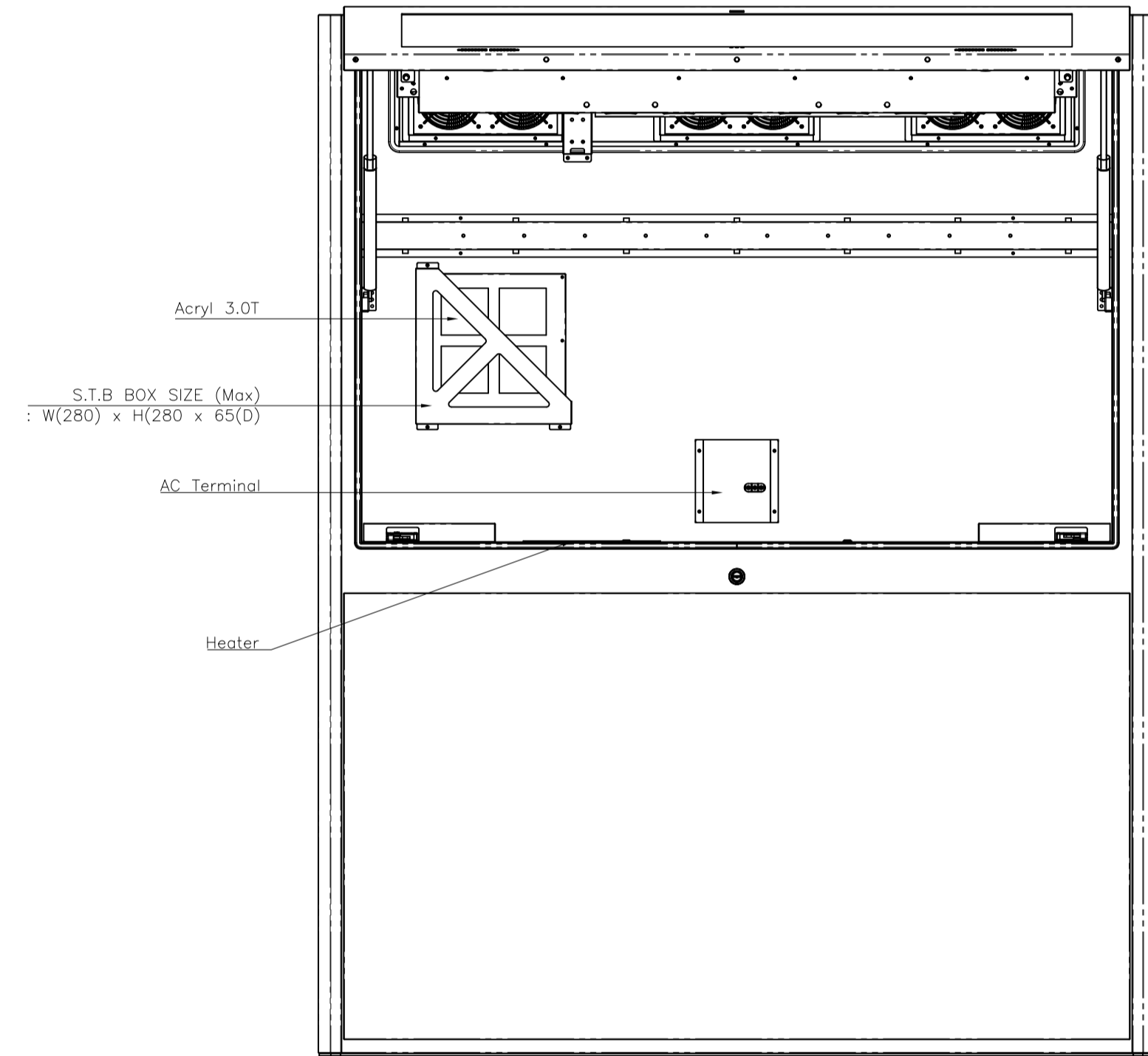
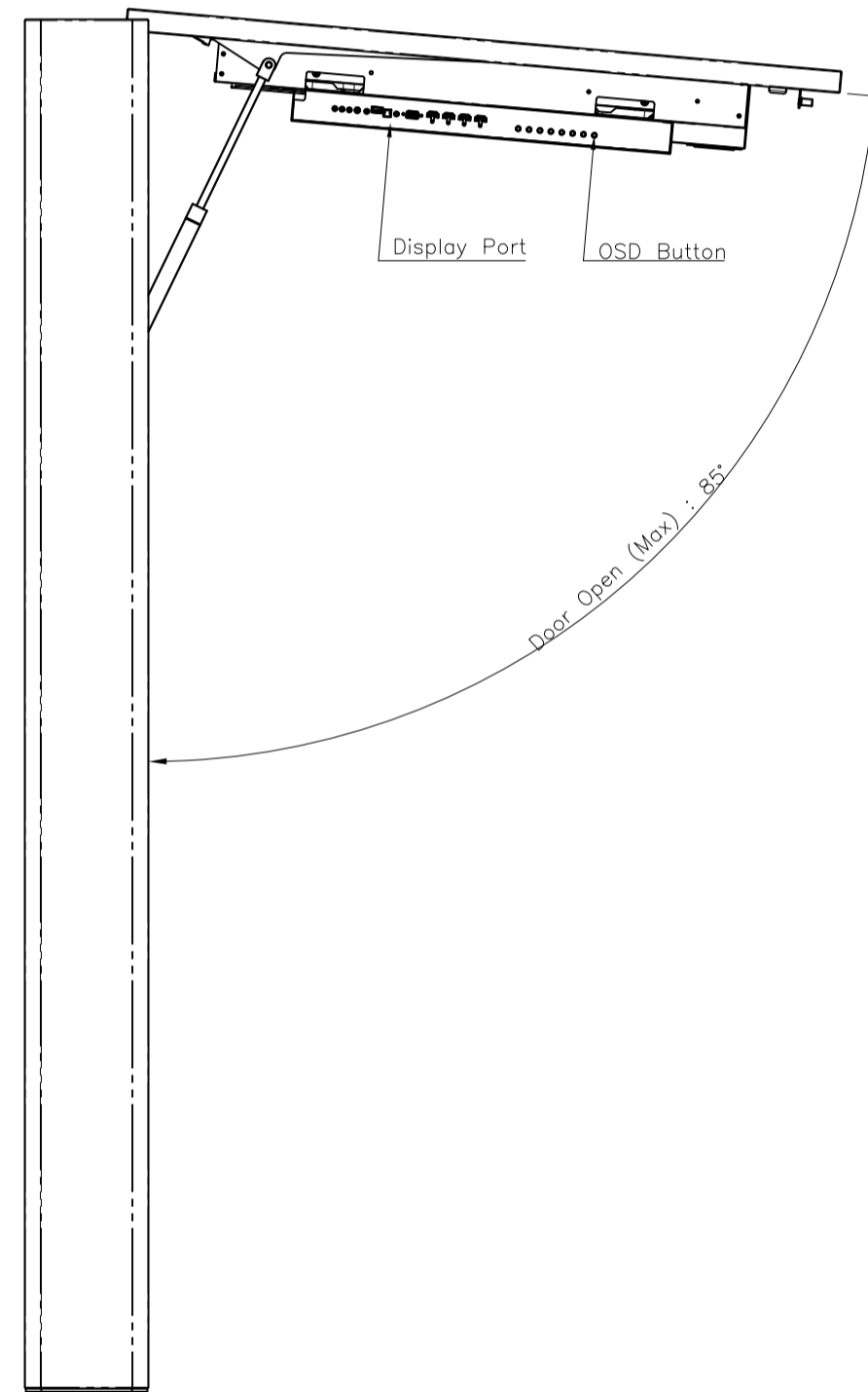
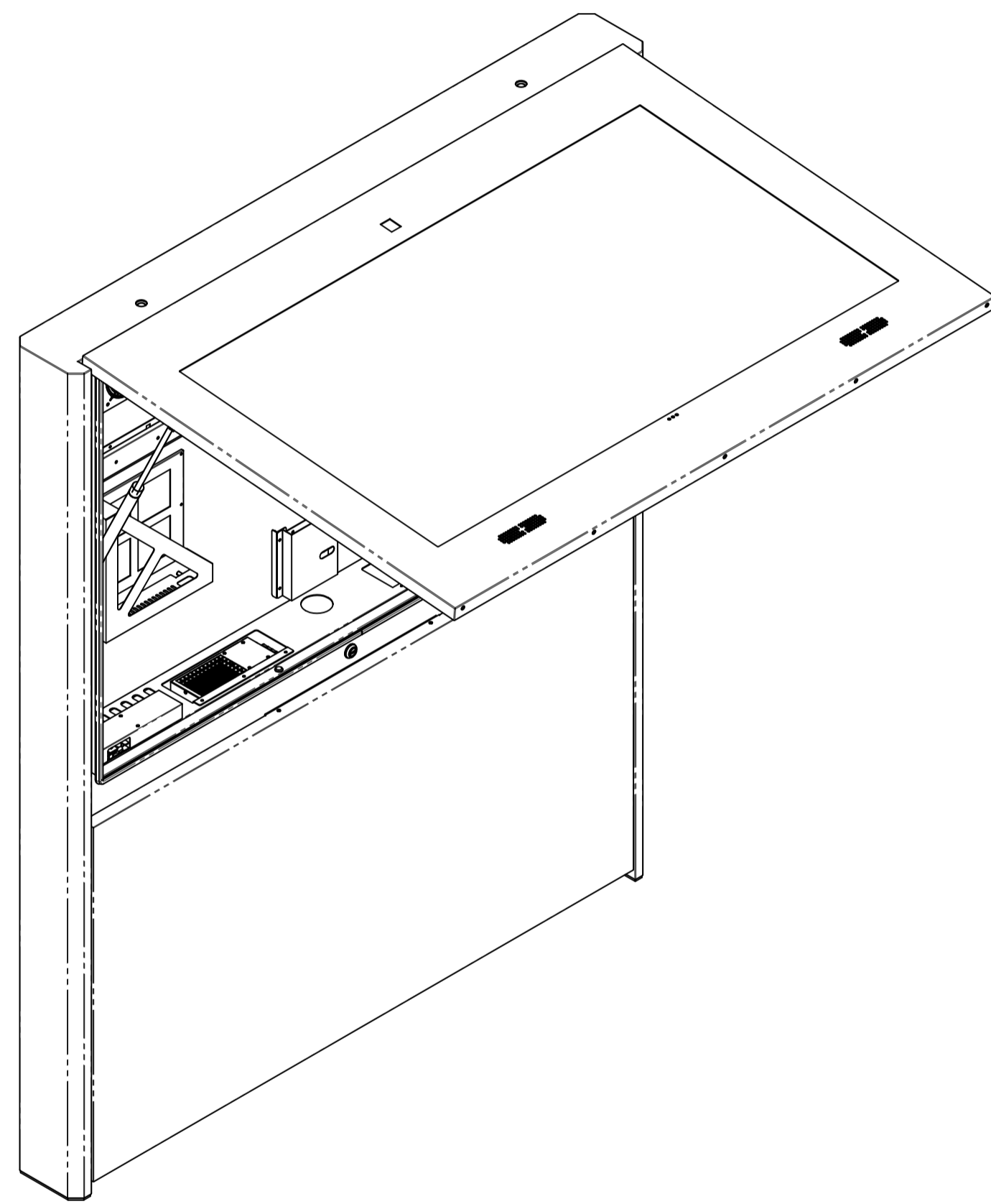
REV. NO		REV. HISTORY	LTR	ECO NO	DATE	APPR'L
DWG	PART					
00	00	INITIAL RELEASE	-	-	-	-



NOTES.
1. Cable Entry : Cable Gland(IP66" or more certified products should be used)

DRAWN	PLANNED	CHECKED	APPROVED	UNLESS OTHERWISE SPECIFIED ALL DIMENSIONS ARE IN MILLIMETERS	ANGLE	TITLE	UNIT
S.W.SEO	S.H.AANG	S.H.AANG	Y.T.KIM	TOLERANCES ARE: DIMENSIONS > 100 : 0.10 DIMENSIONS < 100 : 0.05 HOLE DIMENSION NOTED: R.0.3	30°	H557SS (Landscape) EXTERIOR VIEW	mm
20.12.21	20.12.21	20.12.21		MODEL NAME/COODE: H557SS (Landscape)		DWG(PART) NO. H557SS (Lan)001	mm
				FILE NAME: LAYOUT_H557SS_LANBSCAPE_201221.DWG	CUSTOMER: HDF		mm
					DWG REV : 00		
					SHFT NO : 1/3		
					SIZE :		A1

REV. NO		REV. HISTORY	LTR	ECO NO	DATE	APPRL
DWG	PART					
00	00	INITIAL RELEASE				



FRONT DOOR, OPEN VIEW

This drawing is the property of HYUNDAI IT CO., LTD. and should not be disclosed to any third party without prior permission of HYUNDAI IT CO., LTD.

DRAWN	PLANNED	CHECKED	APPROVED	UNLESS OTHERWISE SPECIFIED ALL DIMENSIONS ARE IN MILLIMETERS	ANGLE	TITLE	UNIT
S.W.SEO	S.H.ANG	S.H.ANG	Y.T.KIM	TOLERANCES ARE: HOLE: ±0.02, X±0.1, XX±0.01 ANGLES: ±0.1° RAU: UNLESS NOTED: R0.3	30°	H557SS (Landscape) DOOR OPEN VIEW	mm
20.12.21	20.12.21	20.12.21	20.12.21		SCALE		TYPE
					1/10		PART
HYUNDAI IT CO., LTD.				MODEL NAME/CODE: H557SS (Landscape)	CUSTOMER: HDT	DWG REV: 00	DWG(PART) NO.
				FILE NAME: LAYOUT_H557SS_LANDSCAPE_201221.DWG		SHEET NO: 53	H557SS (Land_003)
							SIZE: A1