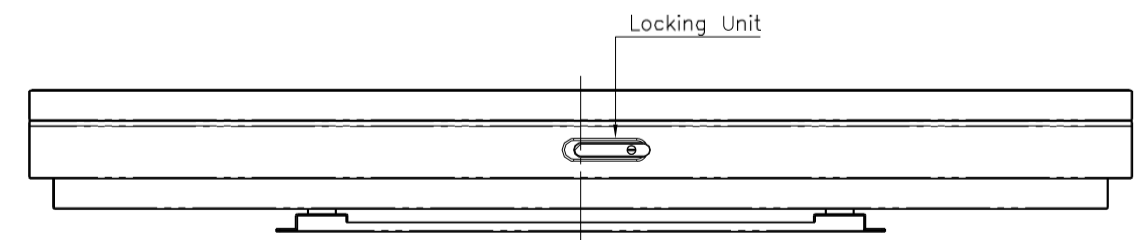
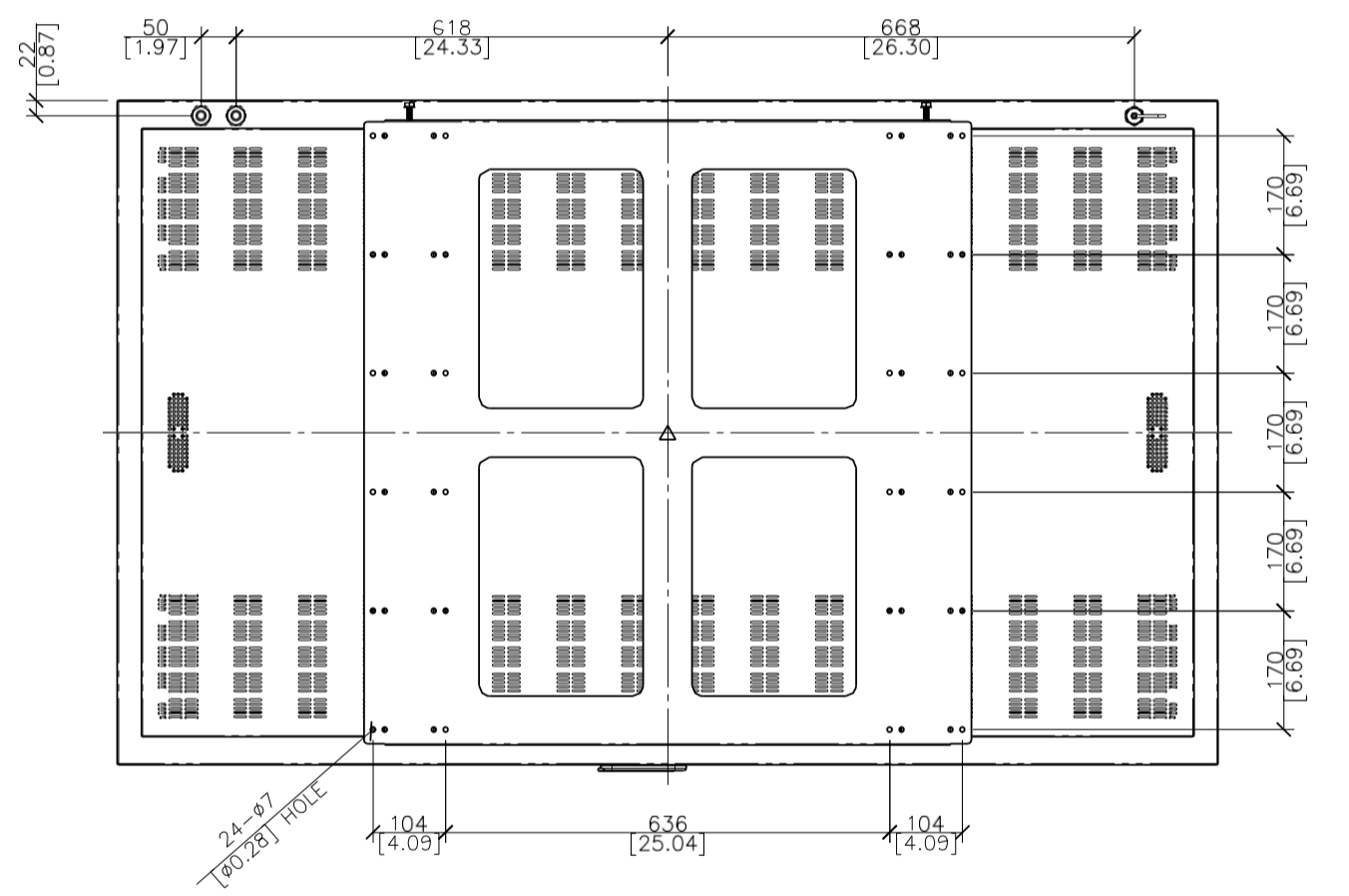
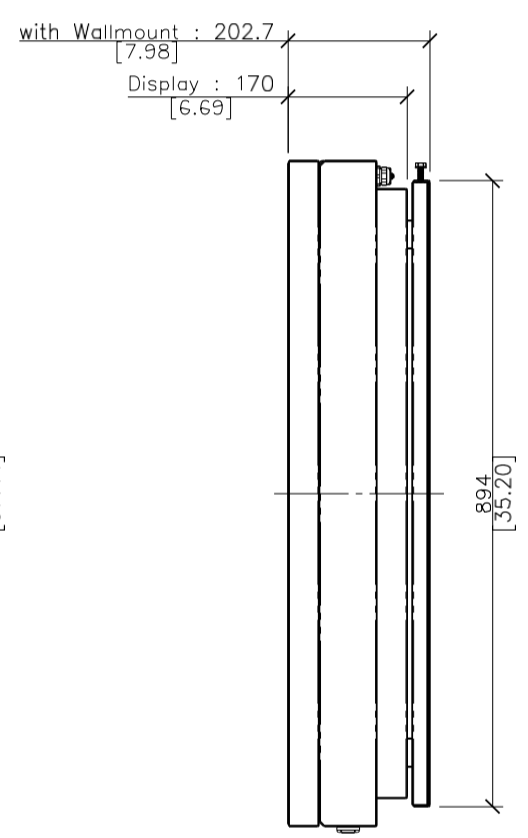
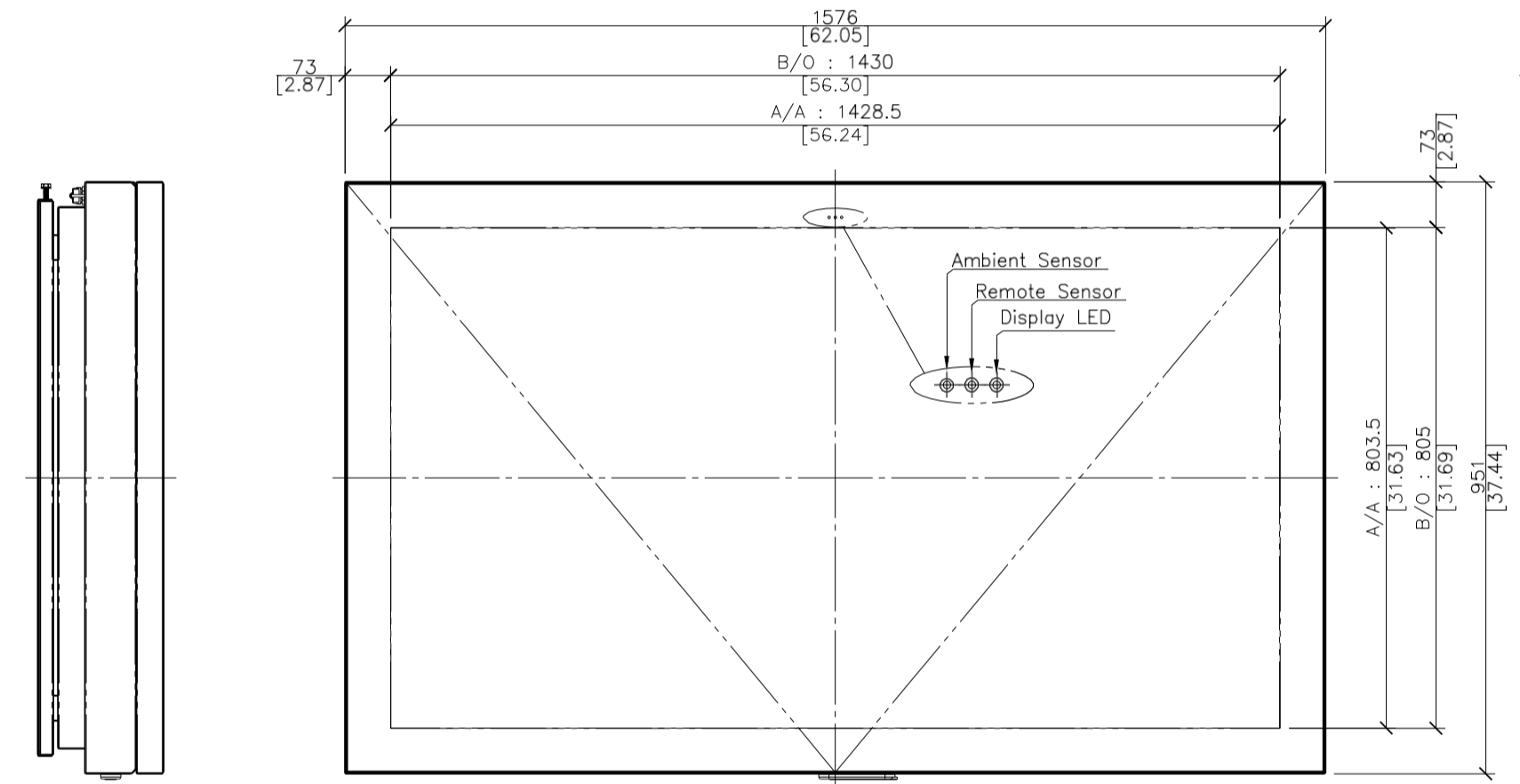
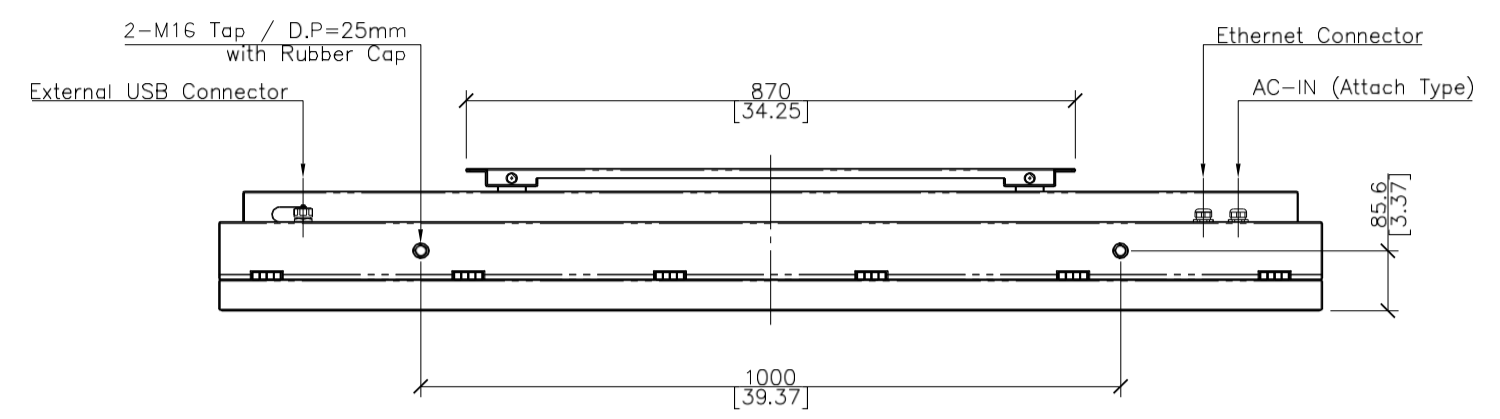


REV. NO		REV. HISTORY	LTR	ECO NO	DATE	APPR'L
DWG	PART					
00	00	INITIAL RELEASE	-	-	-	-



- NOTES.**
- LCD Panel : 65"
  - Material : E.G.I
  - Cabinet Color : Black
  - Tempered Glass : 8.0T (Single AR)

This drawing is the property of HYUNDAI IT CO.,LTD. and should not be disclosed to any third party without prior permission of HYUNDAI IT CO.,LTD.

DRAWN	PLANNED	CHECKED	APPROVED	UNLESS OTHERWISE SPECIFIED ALL DIMENSION ARE IN MILLIMETERS	ANGLE: 3rd.	TITLE : Q657MS (Landscape) EXTERIOR VIEW	UNIT : mm
S.H.JANG	S.H.JANG	S.H.JANG	Y.T.KIM	TOLERANCES ARE : LINEAR : X : 0.20 X ± 0.1 XX ± 0.01 ANGLES : ± 0.1° RADI : UNLESS NOTED : R 0.3	SCALE : 1/10		TYPE : ASSY
'17.07.10	'17.07.10	'17.07.10	'17.07.10	MODEL NAME (CODE): Q657MS	CUSTOMER: HDT	DWG REV : 00	DWG(PART) NO. Q657MS_001
<b>HYUNDAI IT CO.,LTD.</b>				FILE NAME : LAYOUT_Q657M_171114.DWG		SHT NO : 1/1	SIZE : A2