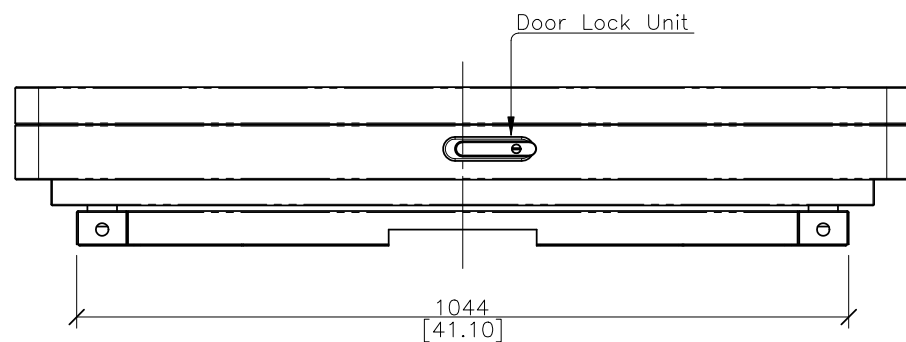
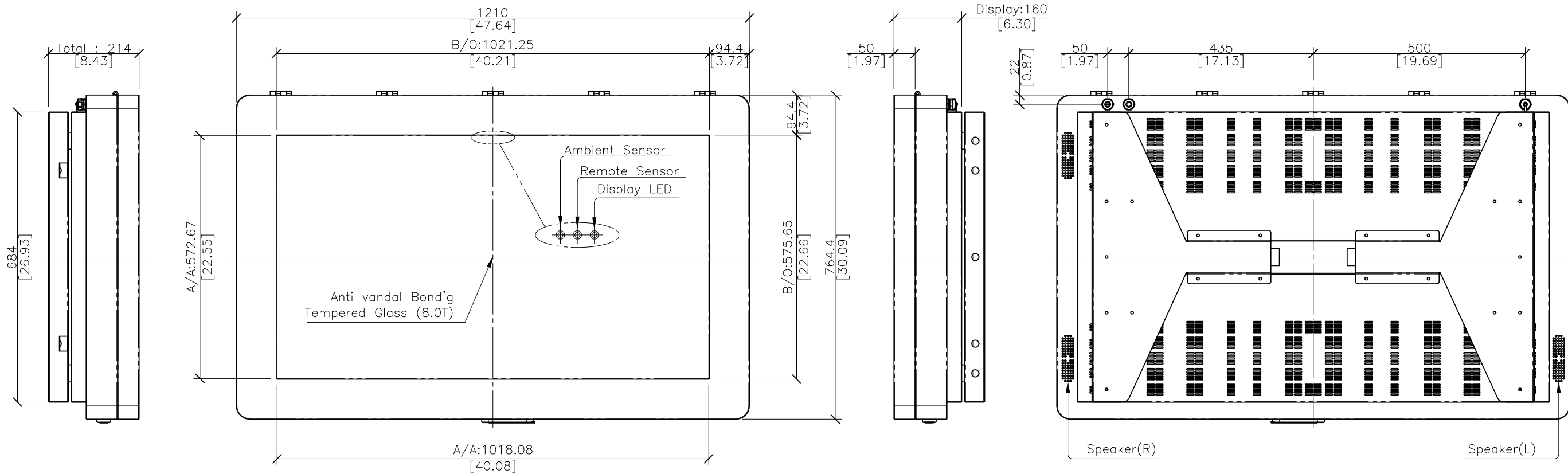
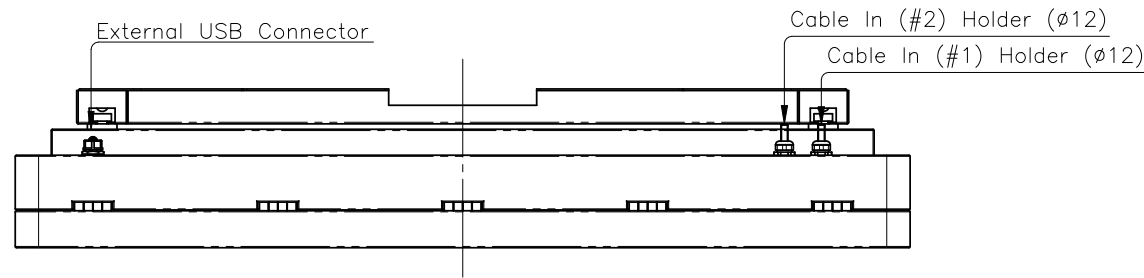


This drawing is the property of HYUNDAI IT CO.,LTD. and should not be disclosed to any third party without prior permission of HYUNDAI IT CO.,LTD..

REV. NO		REV. HISTORY	LTR	ECO NO	DATE	APPR'L
DWG	PART					
00	00	INITIAL RELEASE	-	-	-	-



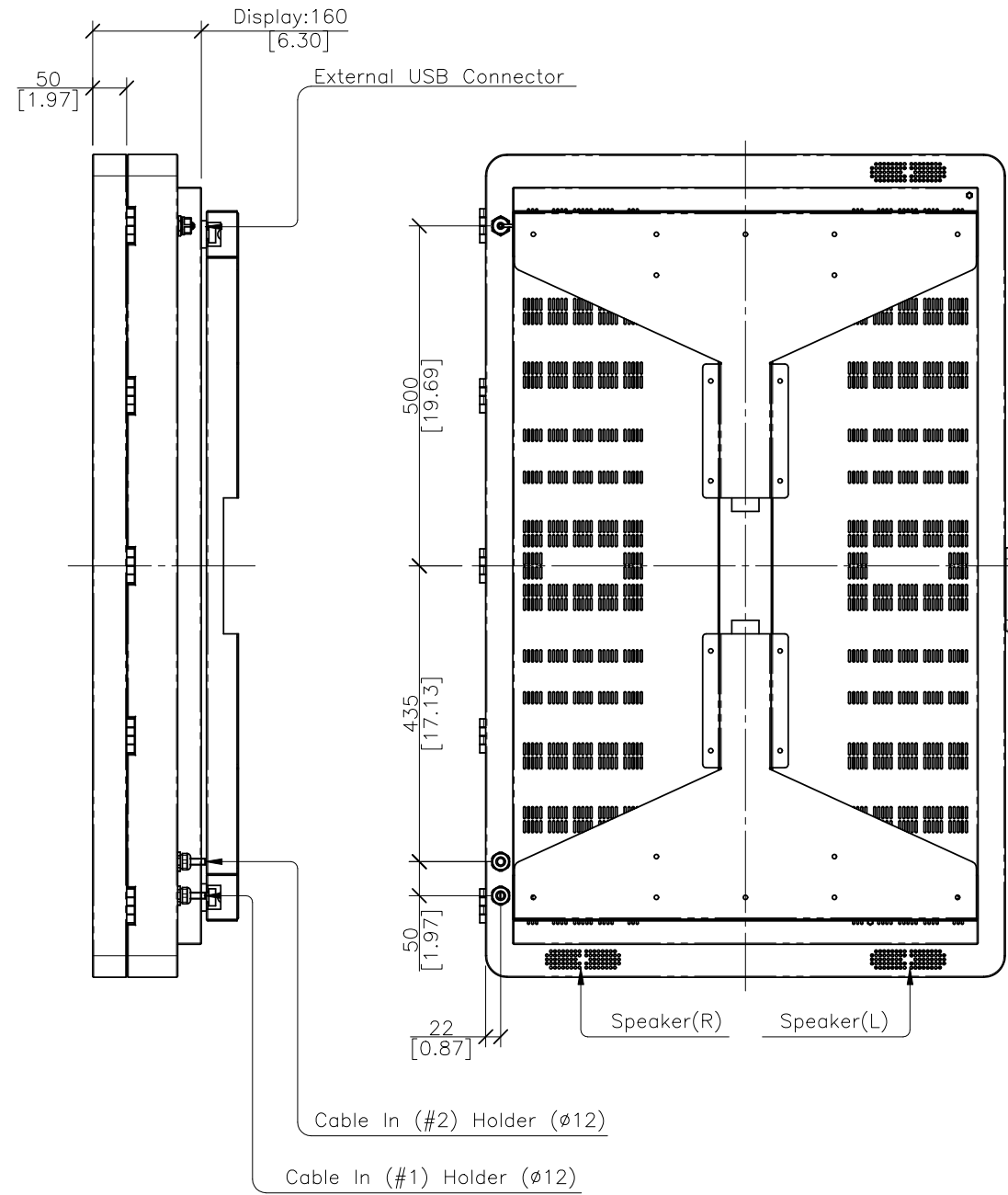
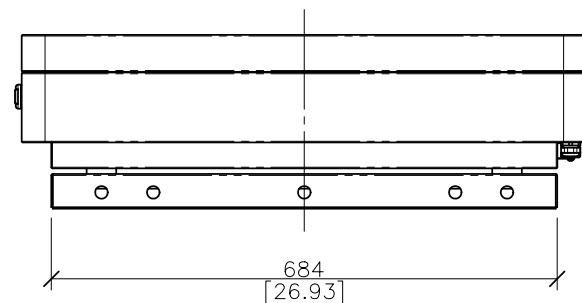
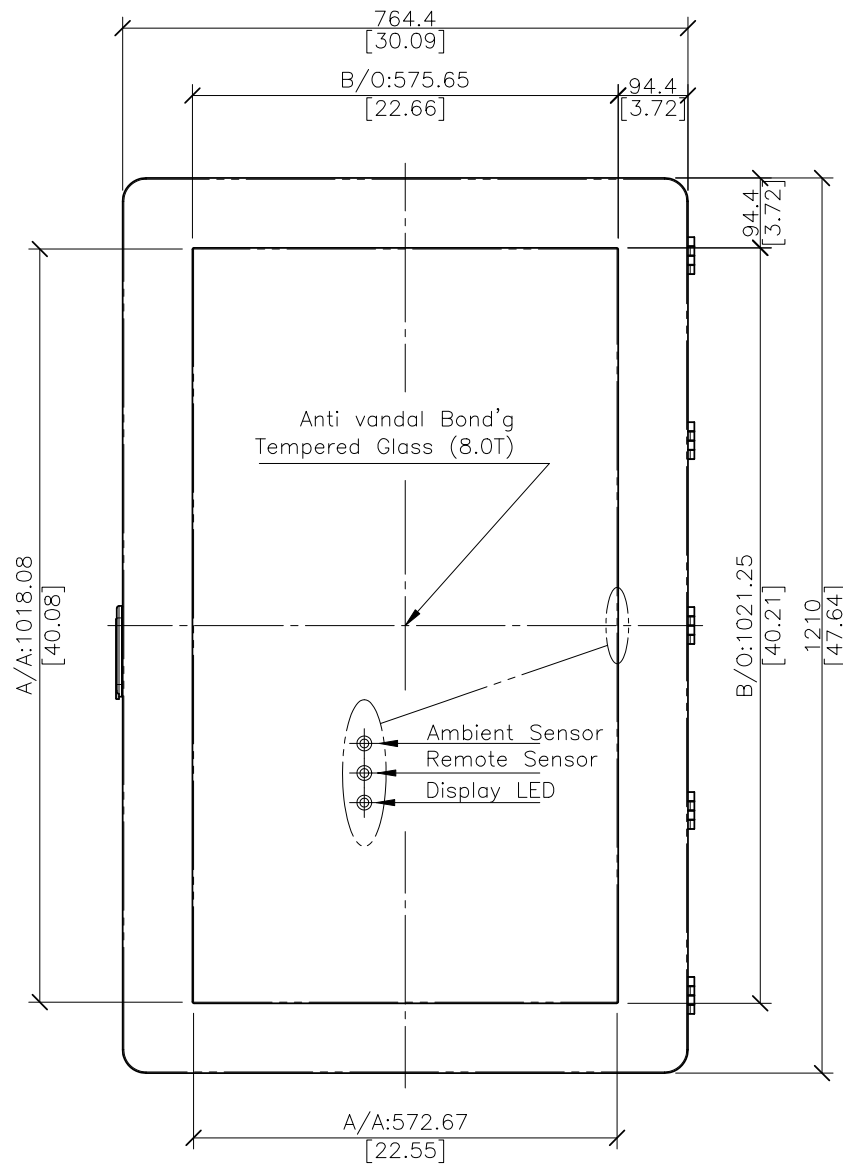
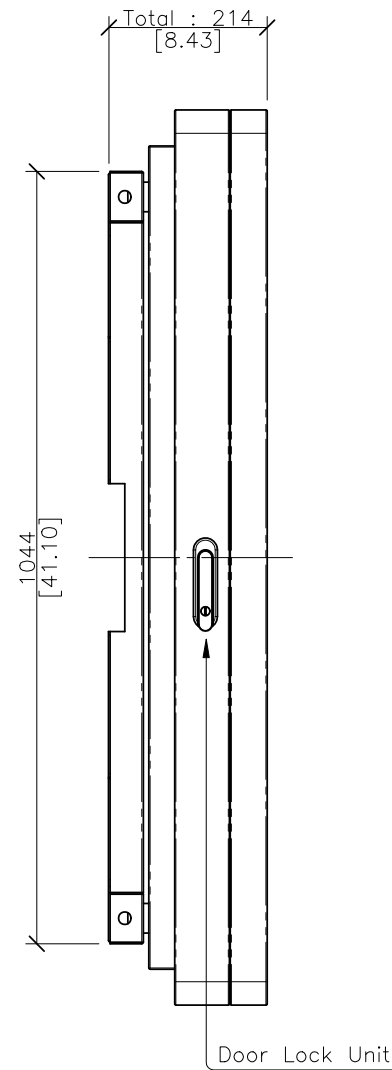
NOTES,

1. LCD Panel : 46"
2. Material : E.G.I (Steel)
3. Color : RAL7040
4. Tempered Glass : 8.0T (Single AR / Anti vandal Glass)

DRAWN	PLANNED	CHECKED	APPROVED	UNLESS OTHERWISE SPECIFIED ALL DIMENSION ARE IN MILLIMETERS	ANGLE 3rd.	TITLE :	UNIT :
S.W.SEO	S.H.JANG	S.H.JANG	Y.T.KIM	TOLERANCES ARE : LINEAR : X ± 0.2 X ± 0.1 XX ± 0.01 ANGLES : ± 0.1° RADI UNLESS NOTED : R 0.3	SCALE : 1/10		H467MS (LANDSCAPE) EXTERIOR VIEW
'21.12.03	'21.12.03	'21.12.03	'21.12.03				
HYUNDAI IT CO., LTD.				MODEL NAME (CODE): H467MS*	CUSTOMER: HDIT	DWG REV : 00	SIZE : A3
				FILE NAME : LAYOUT_H467MS_AUO_211203.DWG		SHT NO : 1/1	DWG(PART) NO. H467MS_001

This drawing is the property of HYUNDAI IT CO.,LTD. and should not be disclosed to any third party without prior permission of HYUNDAI IT CO.,LTD..

REV. NO		REV. HISTORY	LTR	ECO NO	DATE	APPR'L
DWG	PART					
00	00	INITIAL RELEASE	-	-	-	-



NOTES,

1. LCD Panel : 46"
2. Material : E.G.I (Steel)
3. Color : RAL7040
4. Tempered Glass : 8.0T (Single AR / Anti vandal Glass)

DRAWN	PLANNED	CHECKED	APPROVED	UNLESS OTHERWISE SPECIFIED ALL DIMENSIONS ARE IN MILLIMETERS	ANGLE 3rd.	TITLE : H467MS (PORTRAIT) EXTERIOR VIEW	UNIT : mm
S.W.SEO	S.H.JANG	S.H.JANG	Y.T.KIM	TOLERANCES ARE : LINEAR : X ± 0.2 X ± 0.1 XX ± 0.01 ANGLES : ± 0.1° RADI UNLESS NOTED : R 0.3	SCALE : 1/10		TYPE : ASSY
21.12.03	21.12.03	21.12.03	21.12.03	MODEL NAME (CODE): H467MS*	CUSTOMER: HDIT	DWG REV : 00	SIZE : A3
HYUNDAI IT CO., LTD.				FILE NAME : LAYOUT_H467MS_AUO_211203.DWG	DWG REV : 00	SHT NO : 1/1	DWG(PART) NO. H467MS_002