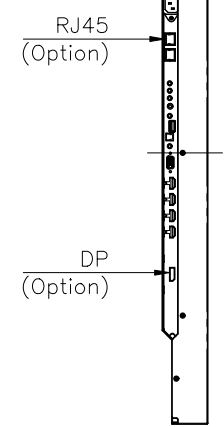
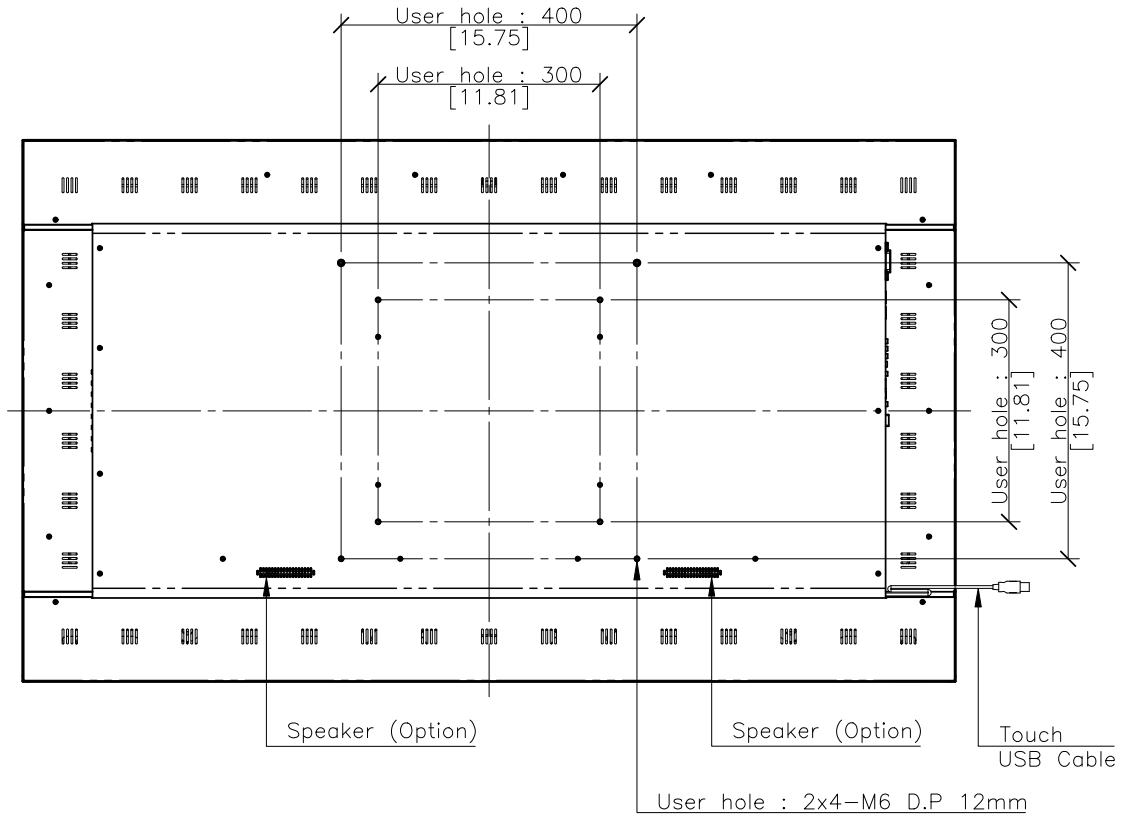
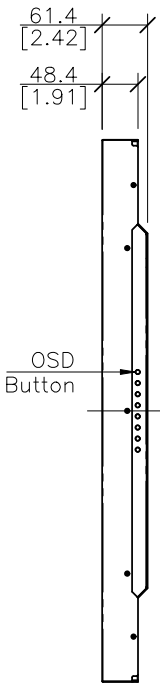
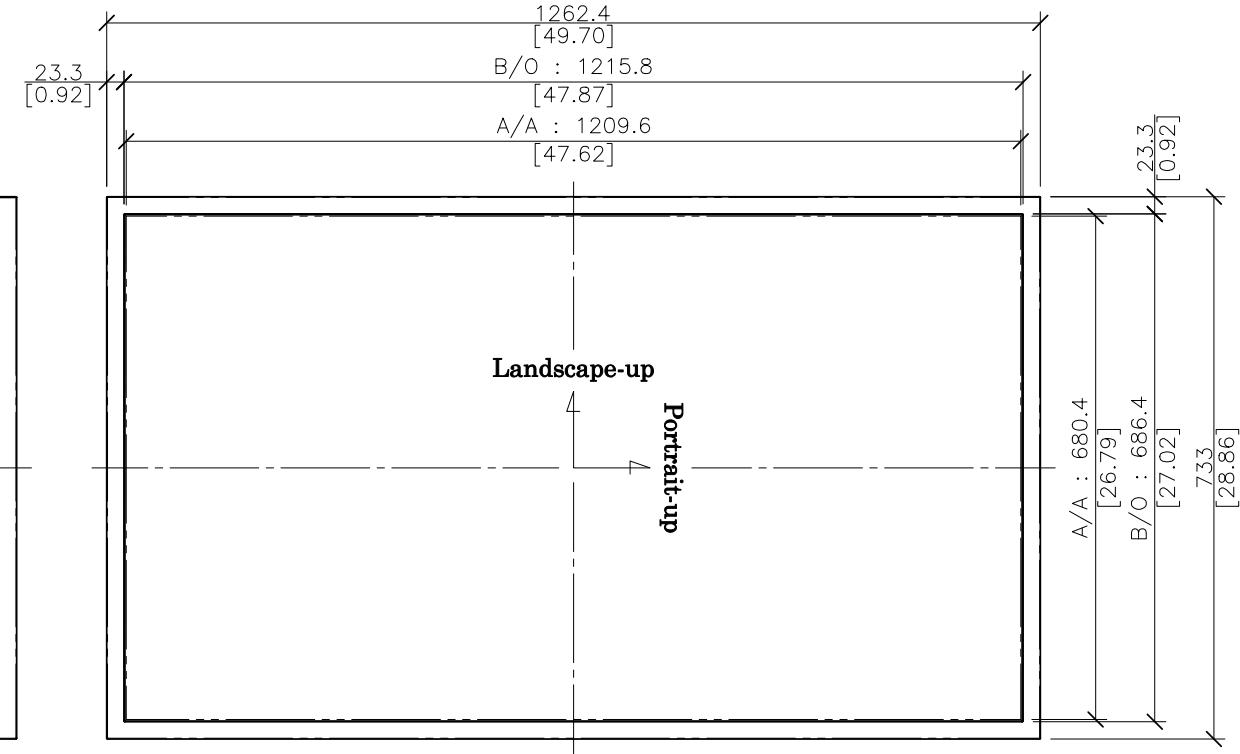
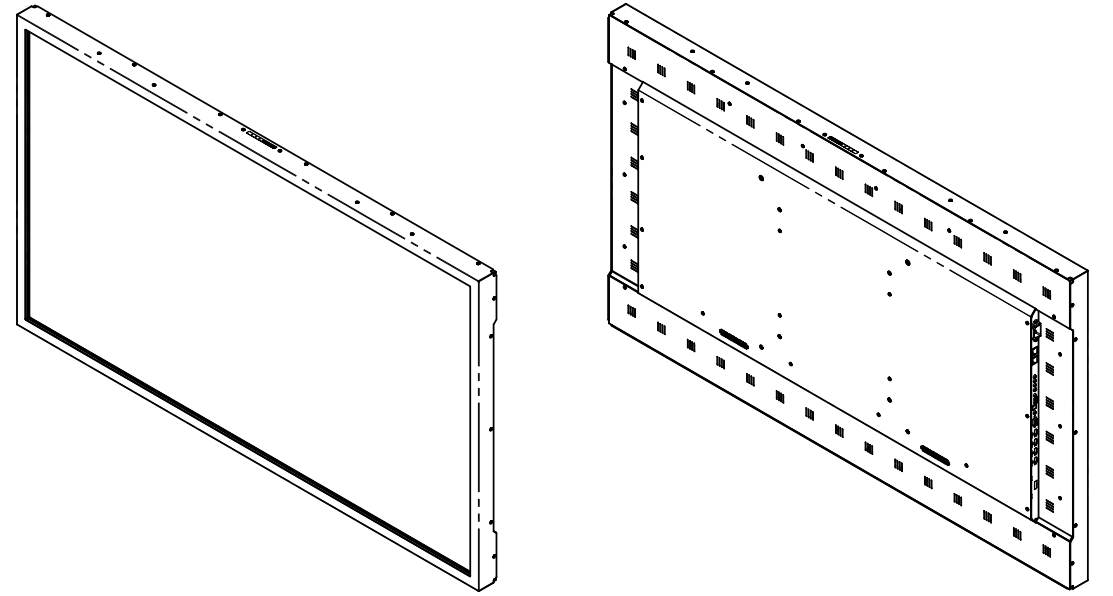
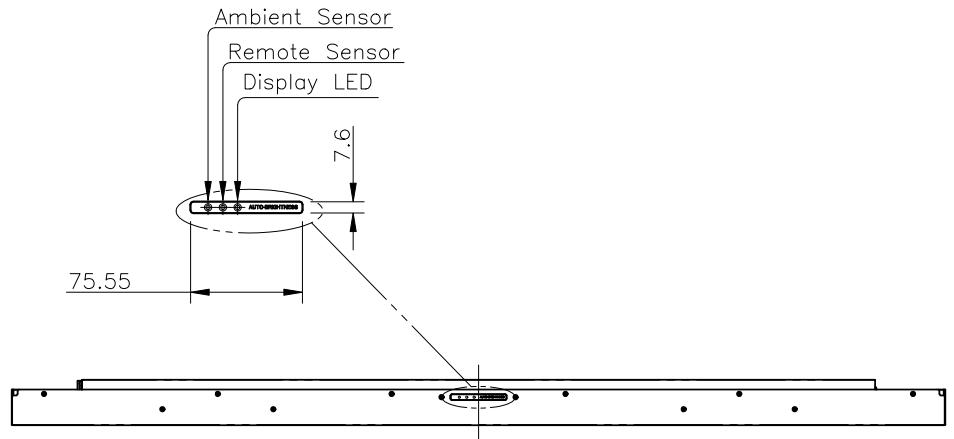


This drawing is the property of HYUNDAI IT CO.,LTD. and should not be disclosed to any third party without prior permission of HYUNDAI IT CO.,LTD..

REV. NO		REV. HISTORY	LTR	ECO NO	DATE	APPR'L
DWG	PART					
00	00	INITIAL RELEASE	-	-	-	-



- NOTES,**
- LCD Panel : 55" LED PANEL
 - Material : E.G.I
 - Color : Black

DRAWN	PLANNED	CHECKED	APPROVED	UNLESS OTHERWISE SPECIFIED ALL DIMENSION ARE IN MILLIMETERS	ANGLE. 3rd.	TITLE :	UNIT :
S.W.SEO	S.H.JANG	S.H.JANG	Y.T.KIM	TOLERANCES ARE : LINEAR : X ± 0.2 X ± 0.1 XX ± 0.01 ANGLES : ± 0.1° RADI UNLESS NOTED : R 0.3	SCALE : 1/10		D55XMNI EXTERIOR VIEW
'21.08.12	'21.08.12	'21.08.12	'21.08.12			DWG(PART) NO. D55XMNI_001	
HYUNDAI IT CO., LTD.				MODEL NAME (CODE): D55XMNI	CUSTOMER. HDIT	DWG REV : 00	SIZE : A3
				FILE NAME : LAYOUT_D55XM_210812.DWG		SHT NO : 1/1	