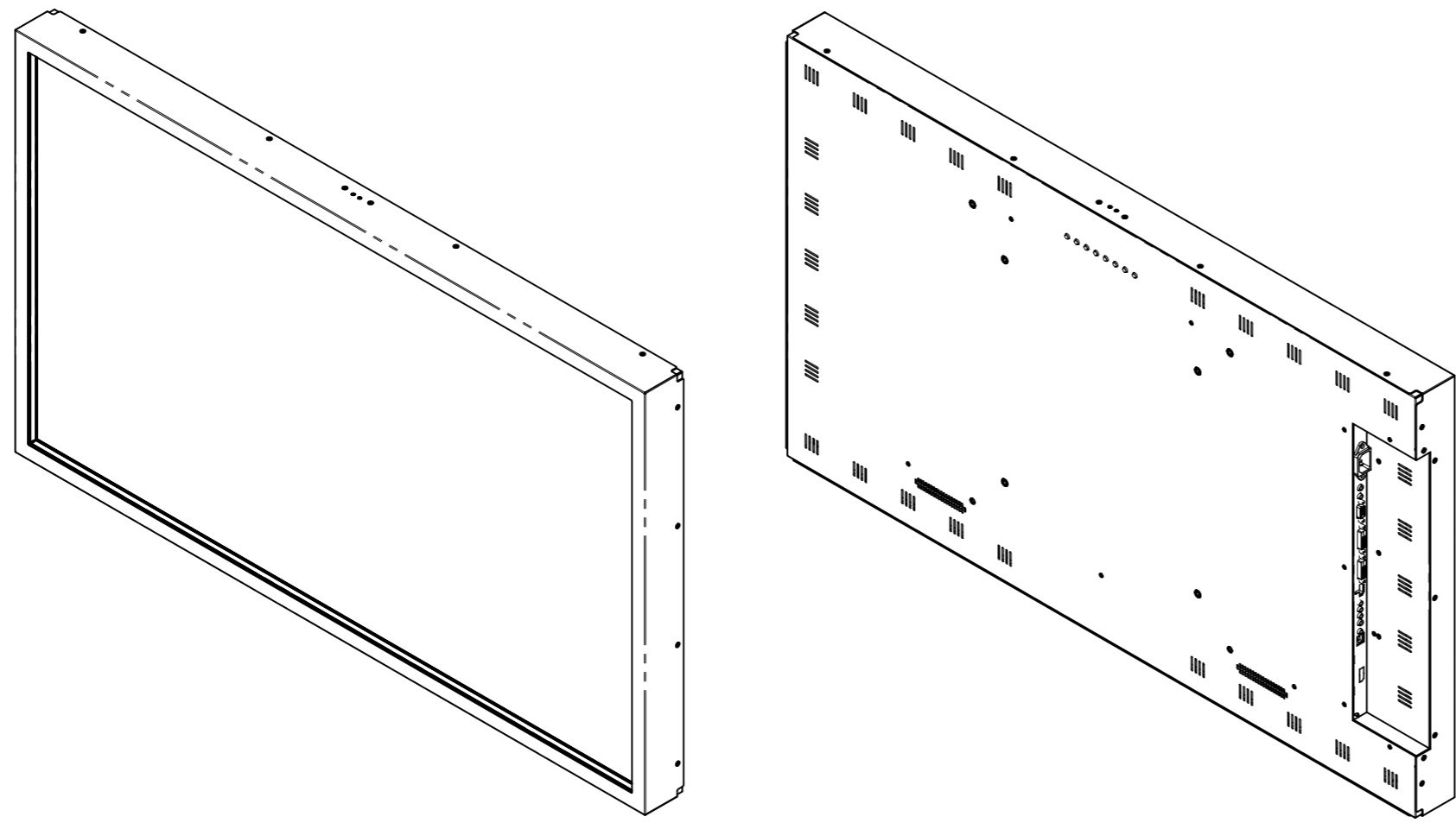
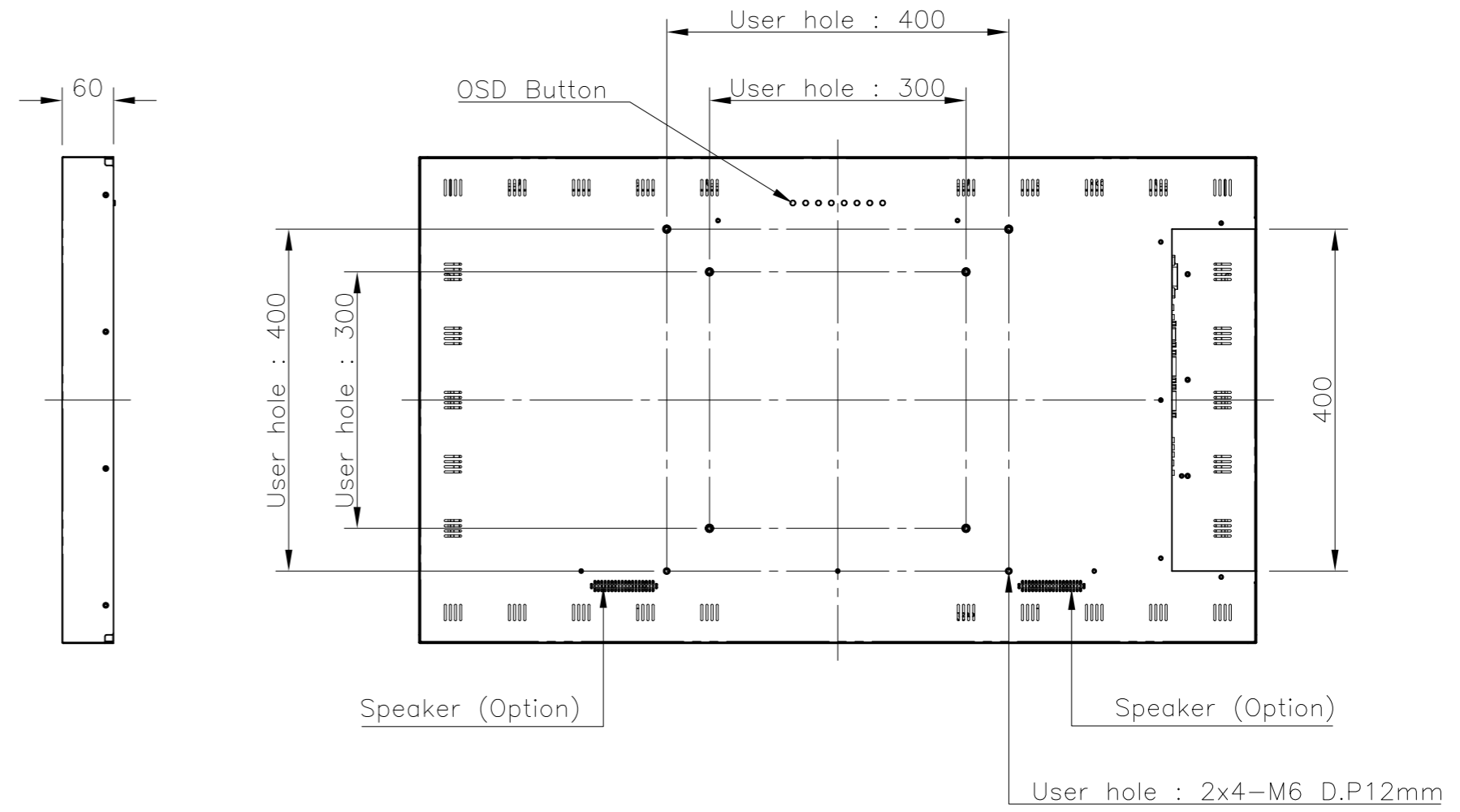
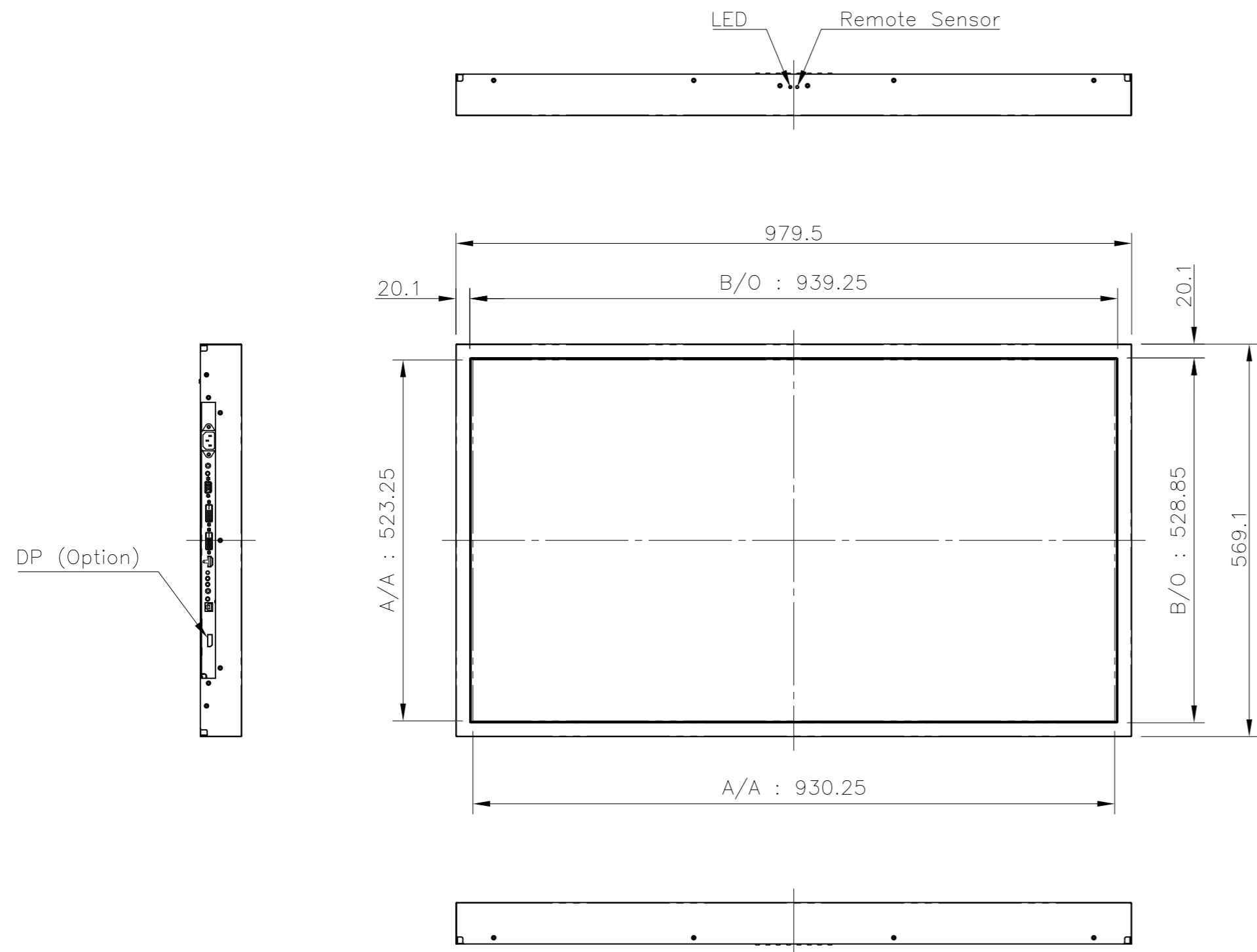


This drawing is the property of HYUNDAI IT Corp. and should not be disclosed to any third party without prior permission of HYUNDAI IT Corp.

REV. NO		REV. HISTORY	LTR	ECO NO	DATE	APPR'L
DWG	PART					
00	00	INITIAL RELEASE	-	-	-	-



NOTES,

1. LCD Panel : 42" Edge LED PANEL
2. Weight : 23.5 Kg
3. Material : E.G.I
4. Color : Black

DRAWN	PLANNED	CHECKED	APPROVED	UNLESS OTHERWISE SPECIFIED ALL DIMENSION ARE IN MILLIMETERS	ANGLE 3rd.	TITLE : D42AMI EXTERIOR VIEW	UNIT : mm
S.W.SEO	S.H.JANG	S.H.JANG	Y.T.KIM		TOLERANCES ARE : LINEAR : X ± 0.2 .X ± 0.1 .XX ± 0.01 ANGLES : ± 0.1° RADII UNLESS NOTED : R 0.3		SCALE : 1/10
'15.06.26	'15.06.26	'15.06.26	'15.06.26	MODEL NAME (CODE): D42AMI	CUSTOMER. HDIT	DWG REV : 00	SIZE : A3
				FILE NAME : LAYOUT_D42AMI_150629.DWG		SH'T NO : 1/1	DWG(PART) NO. D42AMI_001