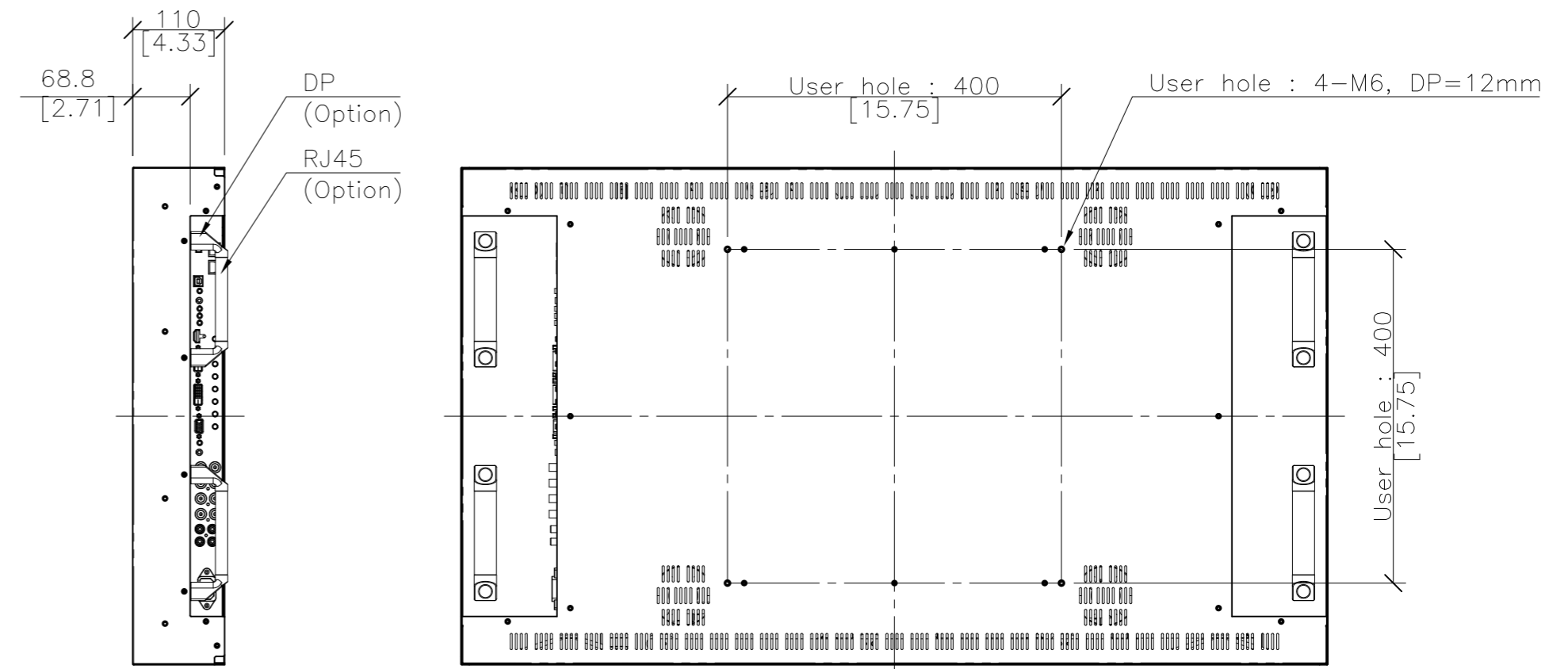
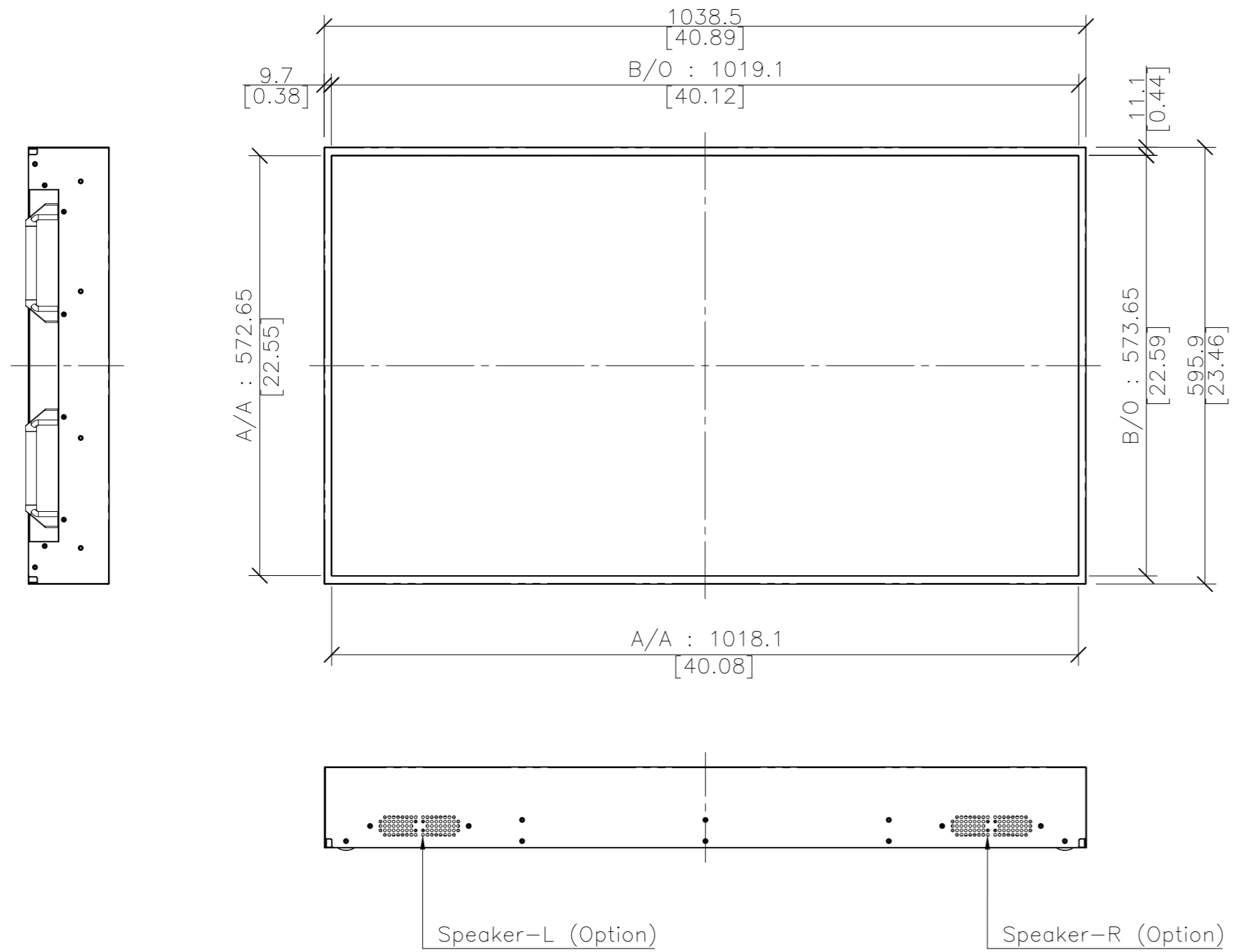
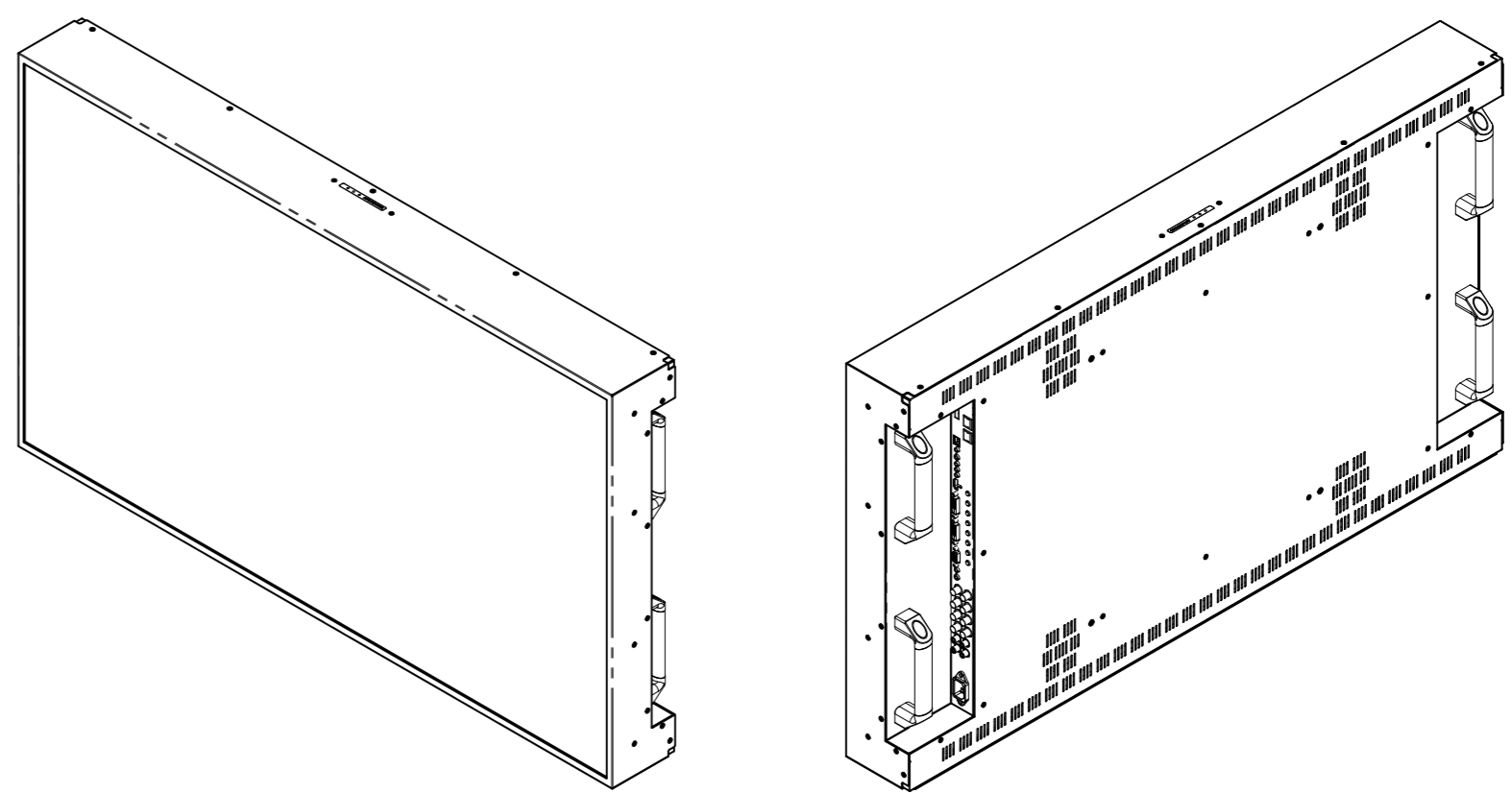
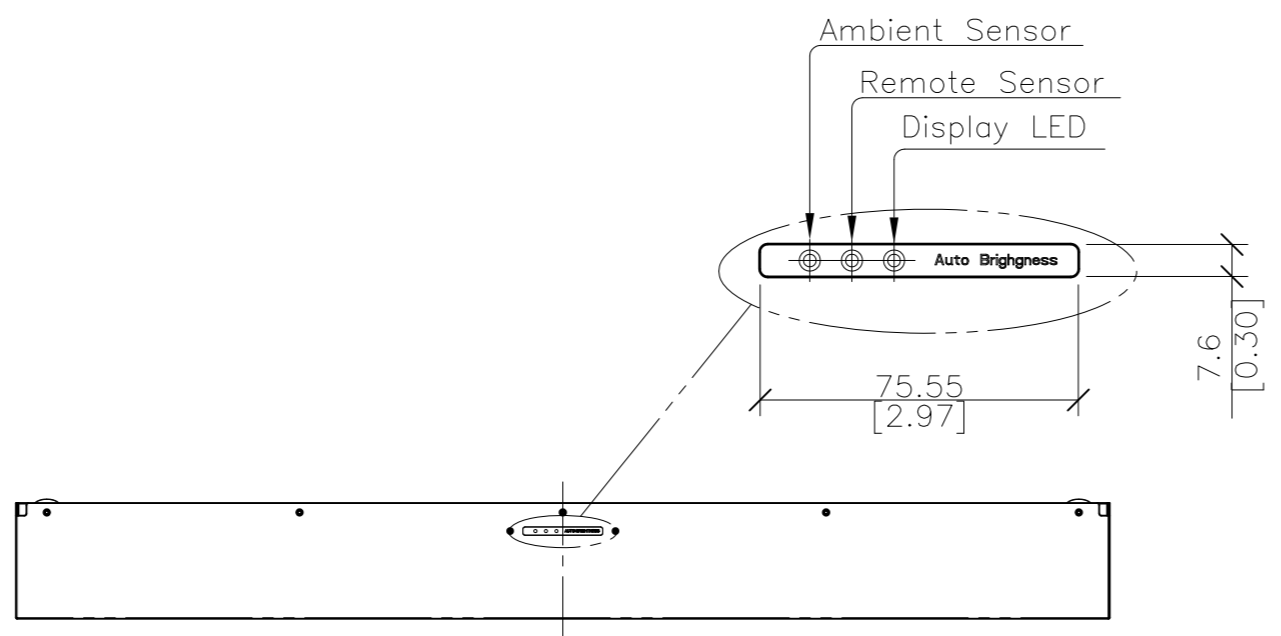


This drawing is the property of HYUNDAI IT Corp. and should not be disclosed to any third party without prior permission of HYUNDAI IT Corp.

REV. NO		REV. HISTORY	LTR	ECO NO	DATE	APPR'L
DWG	PART					
00	00	INITIAL RELEASE	-	-	-	-



- NOTES,**
- LCD Panel : 46" (2500nits)
  - Material : E.G.I
  - Color : Black
  - Net Weight : T.B.D Kg

DRAWN	PLANNED	CHECKED	APPROVED	UNLESS OTHERWISE SPECIFIED ALL DIMENSION ARE IN MILLIMETERS	ANGLE 3rd.	TITLE : D467MB EXTERIOR VIEW	UNIT : mm
S.W.SEO	S.H.JANG	S.H.JANG	Y.T.KIM		SCALE : 1/10		TYPE : ASSY
'15.02.25	'15.02.25	'15.02.25	'15.02.25	TOLERANCES ARE : LINEAR : X ± 0.2 .X ± 0.1 .XX ± 0.01 ANGLES : ± 0.1° RADII UNLESS NOTED : R 0.3		DWG(PART) NO. D467MB_001	SIZE : A3
				MODEL NAME (CODE): D467MB	CUSTOMER. HDIT		DWG REV : 00
				FILE NAME : LAYOUT_D467MB_150225.DWG		SH'T NO : 1/1	