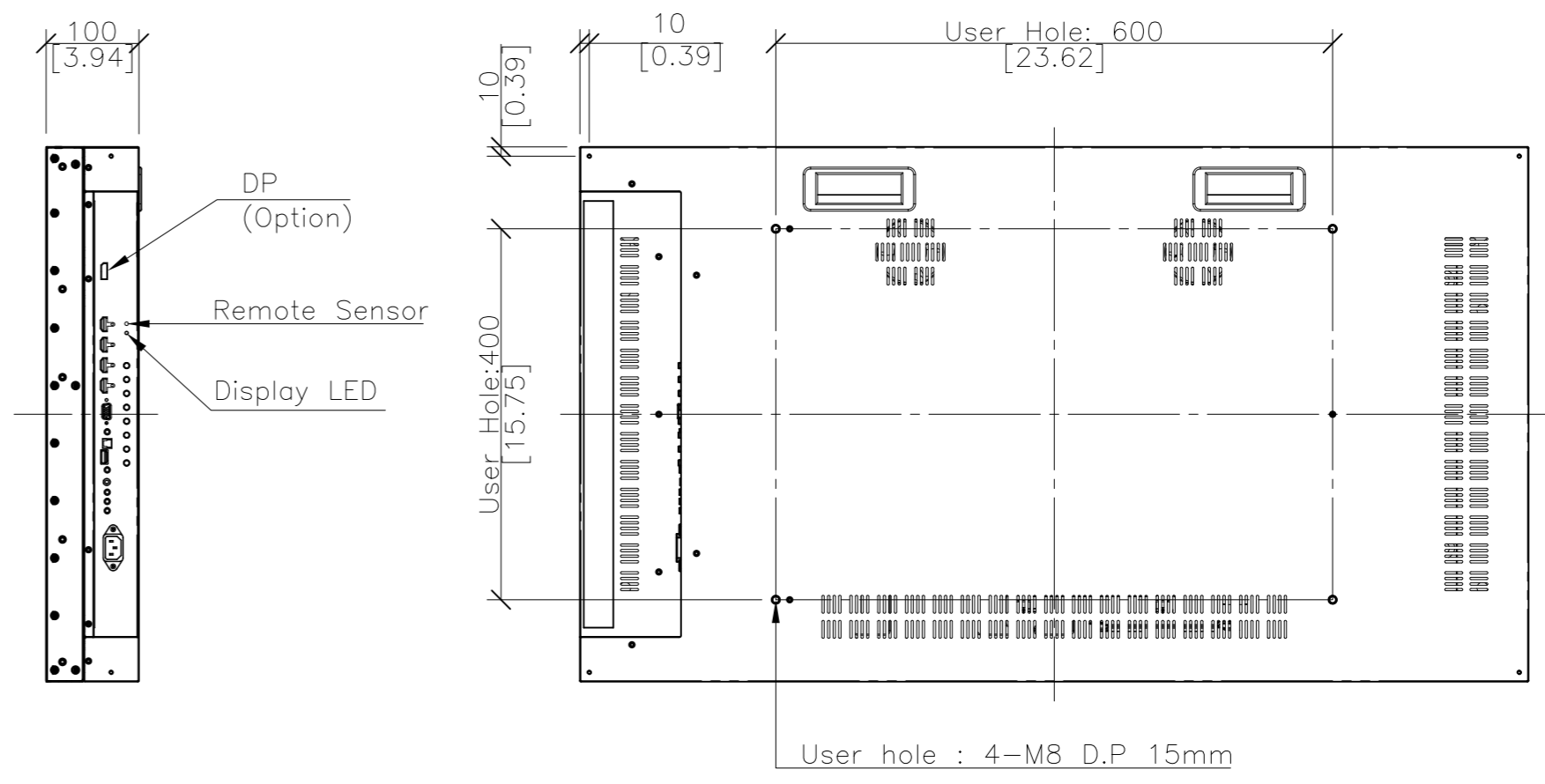
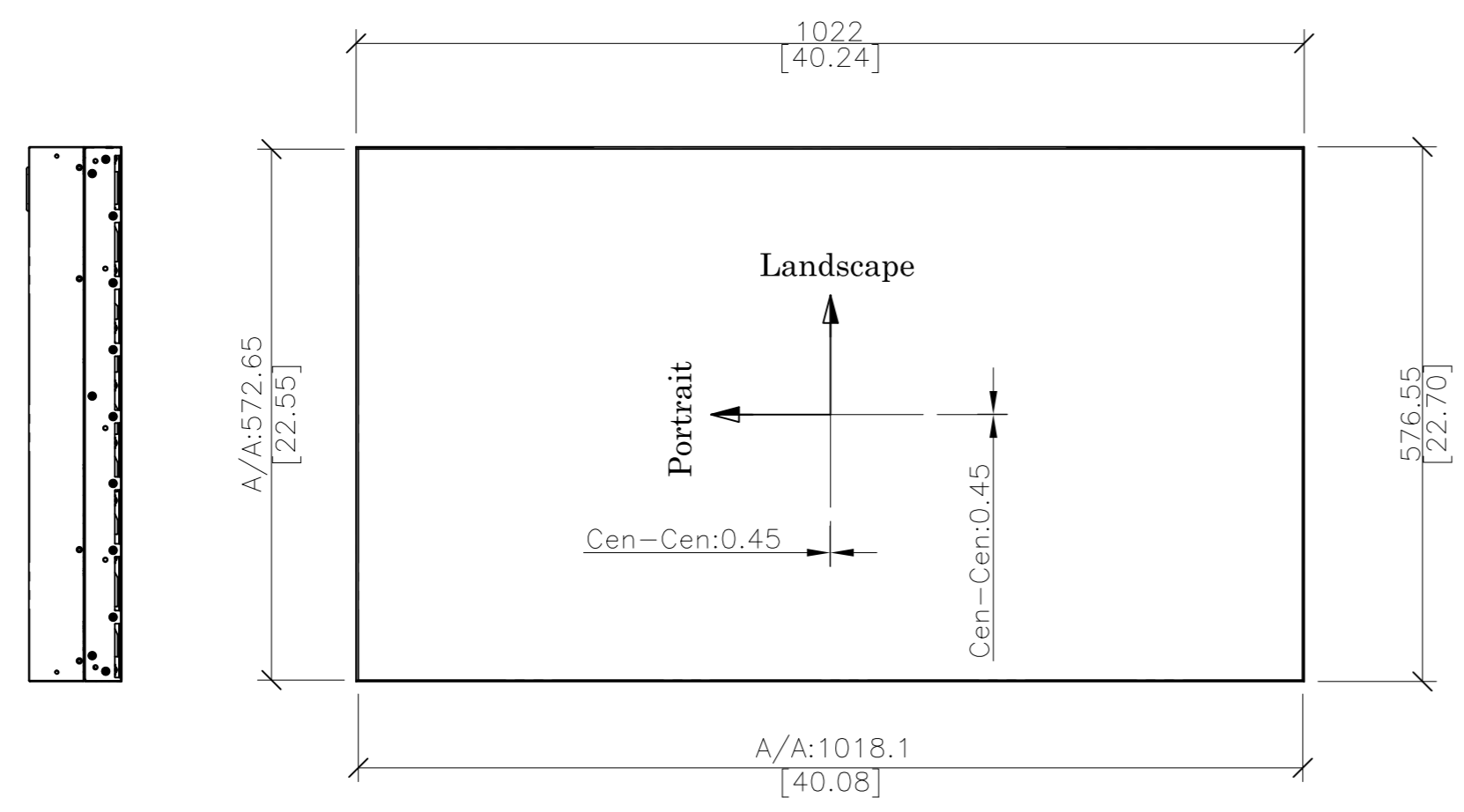
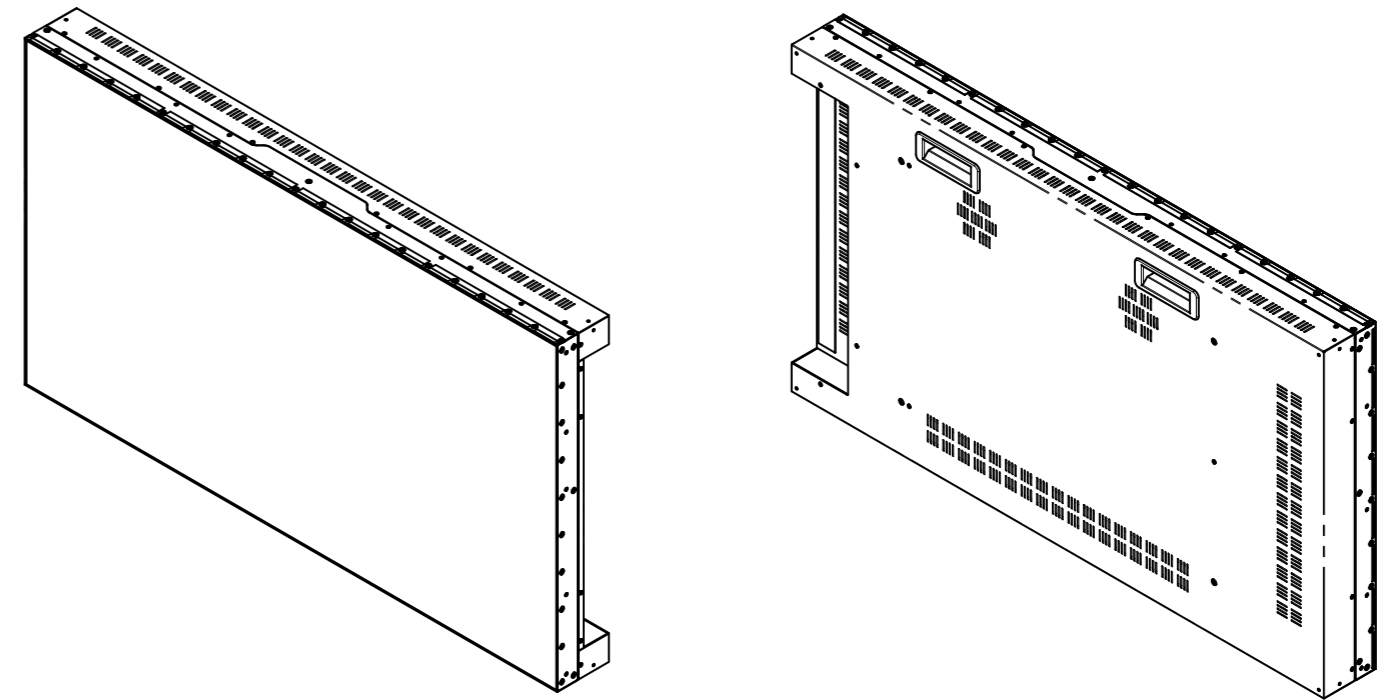
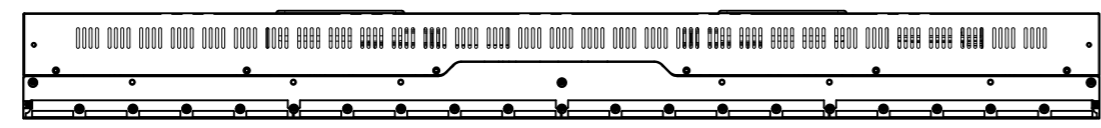


This drawing is the property of HYUNDAI IT CO.,LTD. and should not be disclosed to any third party without prior permission of HYUNDAI IT CO.,LTD..

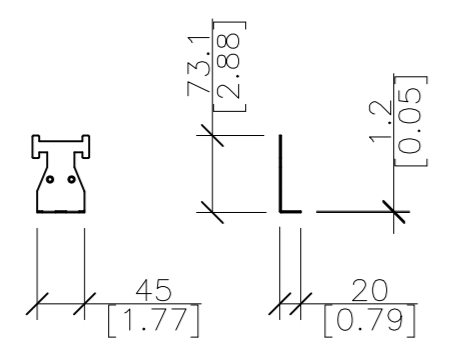
REV. NO		REV. HISTORY	LTR	ECO NO	DATE	APPR'L
DWG	PART					
00	00	INITIAL RELEASE	-	-	-	-

- NOTES,**
- LCD Panel : 46" UNB
 - Material : E.G.I
 - Cabinet Color : Black

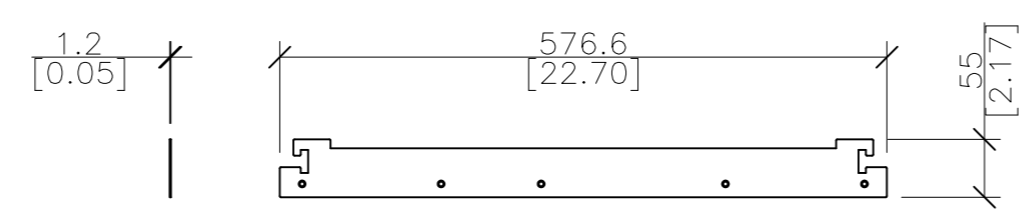
① D46SFN Display



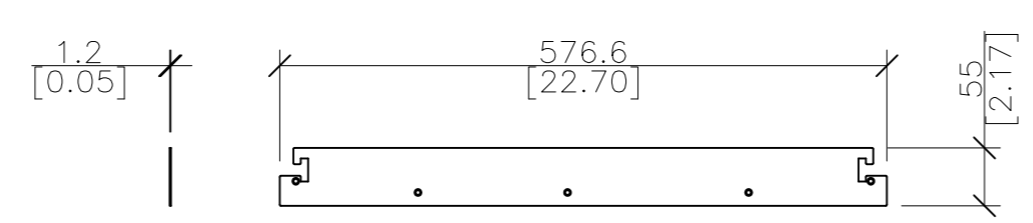
②-5 Multi Brkt Corner - 2Ea



②-3 Multi Brkt Right - 1Ea



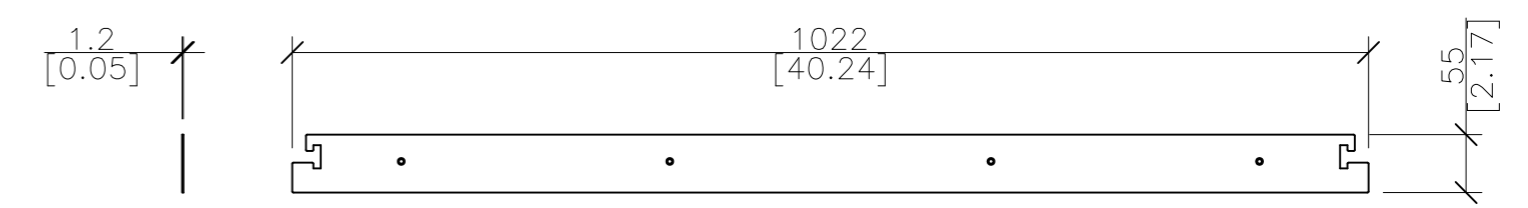
②-4 Multi Brkt Left - 1Ea



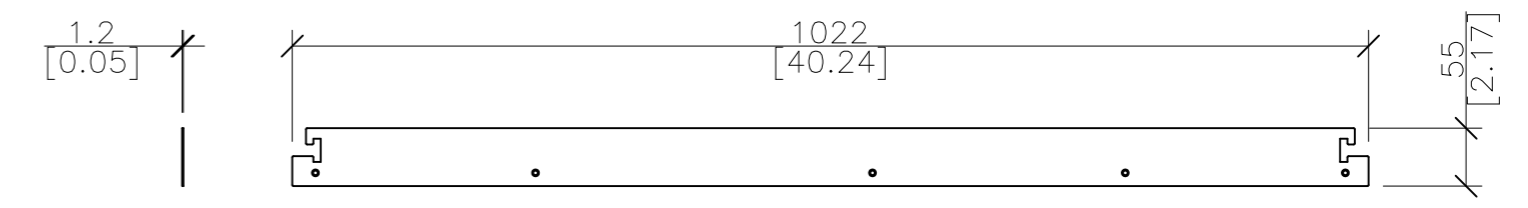
②-6 FLT, M4 x 6mm Screw - 23Ea



②-1 Multi Brkt Top - 1Ea



②-2 Multi Brkt Bot - 1Ea



DRAWN	PLANNED	CHECKED	APPROVED	UNLESS OTHERWISE SPECIFIED ALL DIMENSION ARE IN MILLIMETERS	ANGLE 3rd.	TITLE : D46SFN(UFN) EXTERIOR VIEW	UNIT : mm
S.W.SEO	S.H.JANG	S.H.JANG	Y.T.KIM		SCALE : 1/10		TYPE : ASSY
'18.11.21	'18.11.21	'18.11.21	'18.11.21	MODEL NAME (CODE): D46SFN FILE NAME : LAYOUT_D46SF_SERIES_181121.DWG	DWG REV : 00	DWG(PART) NO. D46SFN_001	SIZE : A3
HYUNDAI IT CO., LTD.			CUSTOMER.		SHT' NO : 1/1		