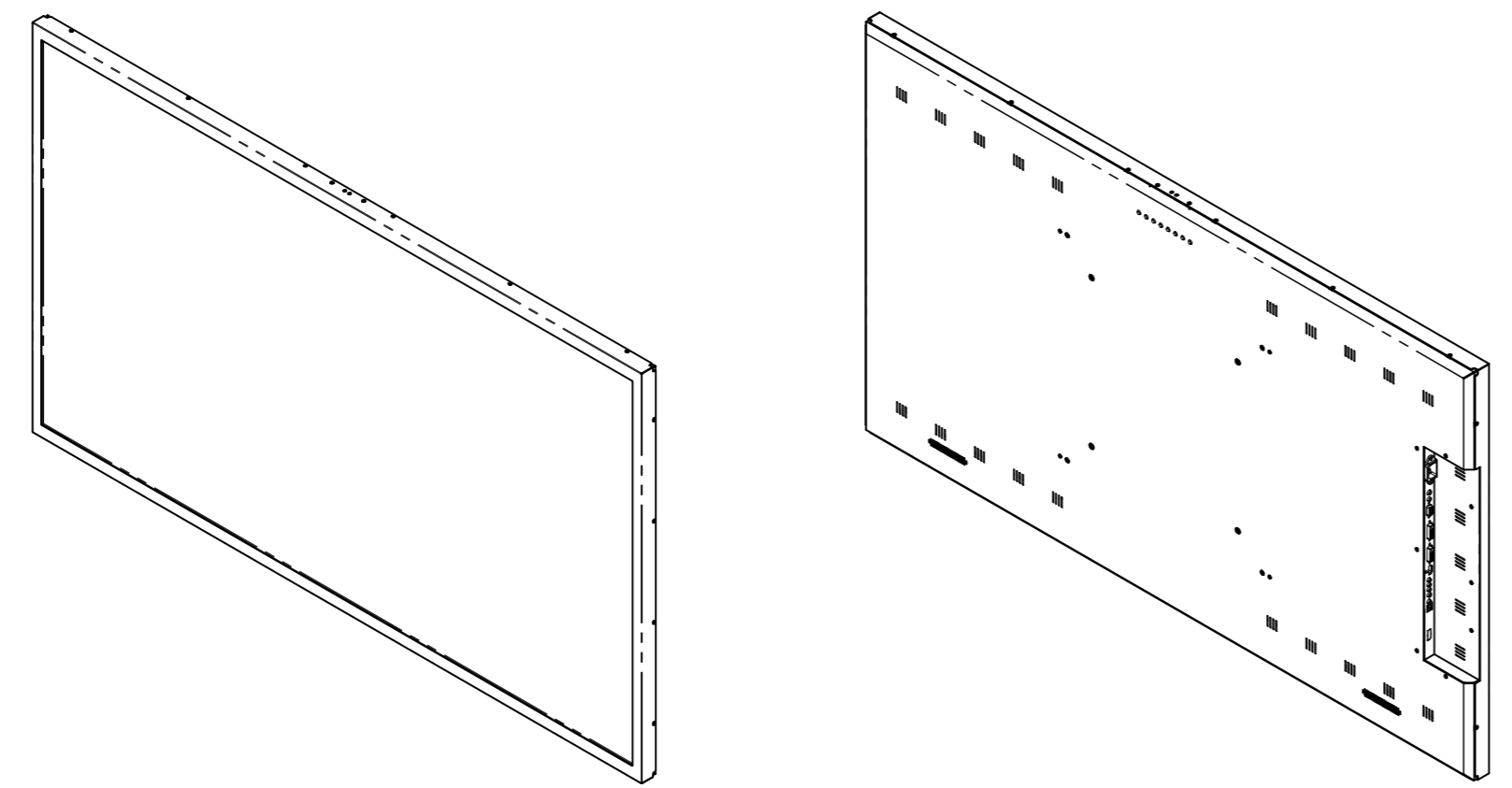
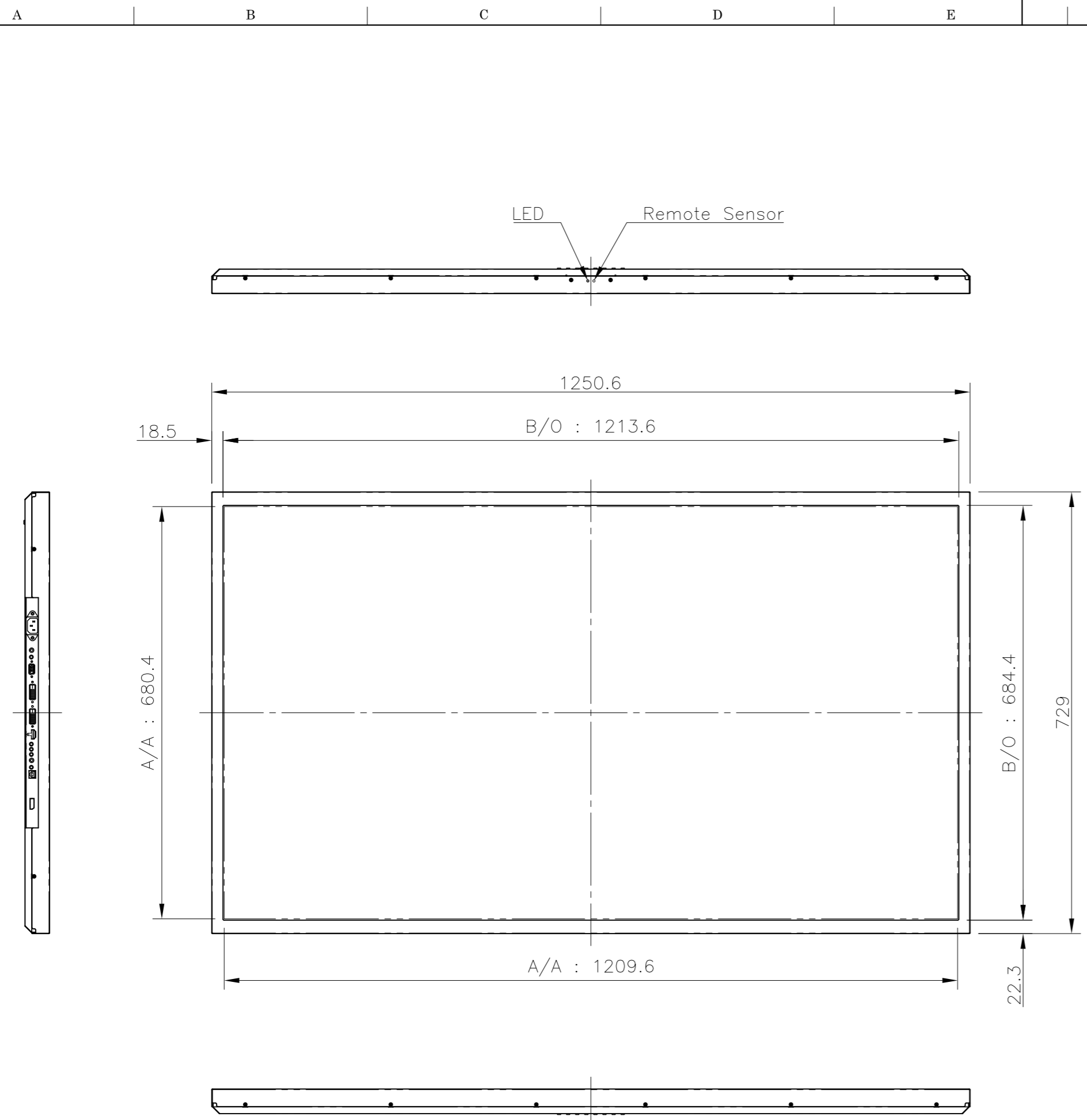
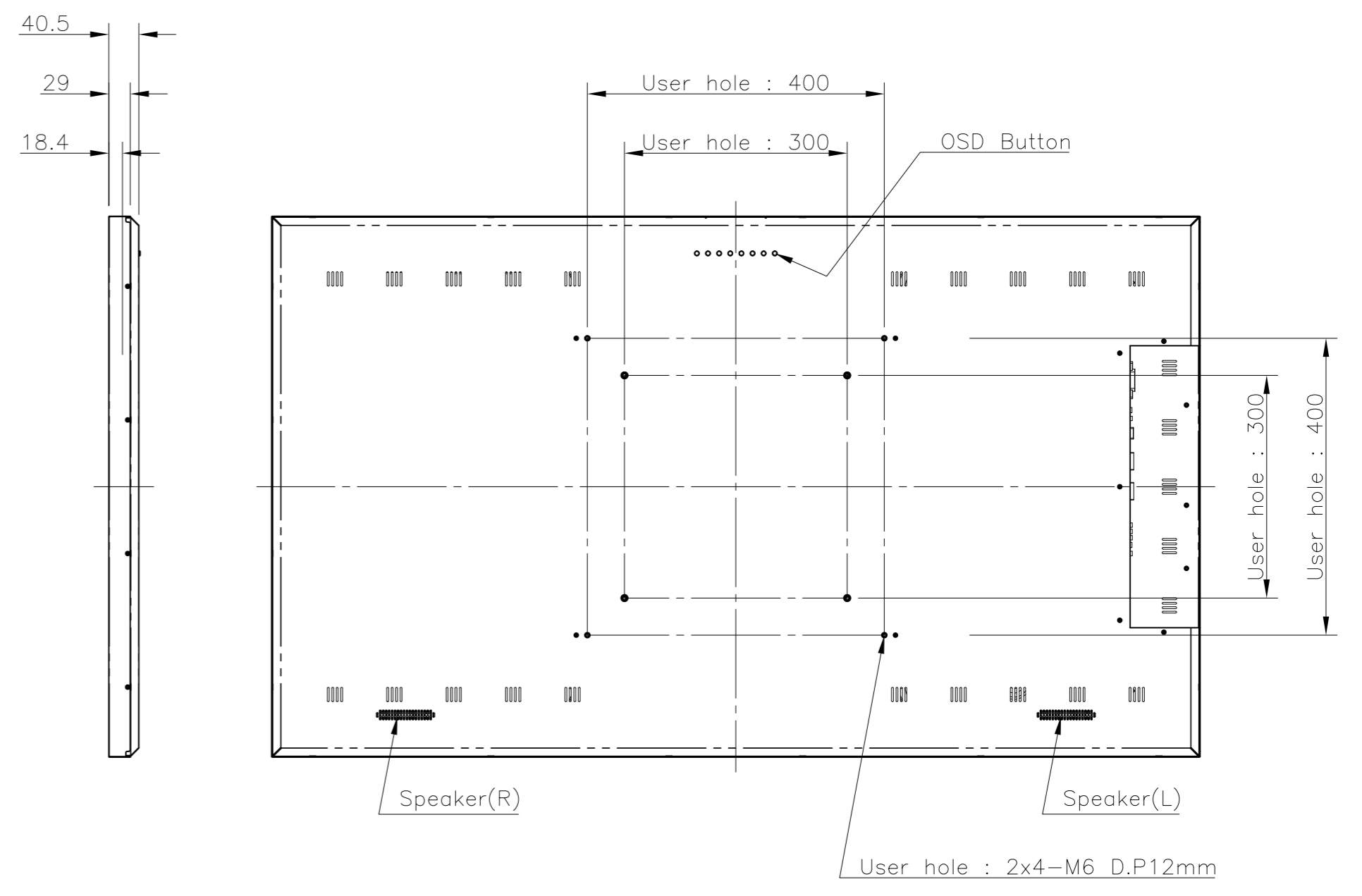


This drawing is the property of HDIBT Corp. and should not be disclosed to any third party without prior permission of HDIBT Corp..



| REV. NO | | REV. HISTORY | LTR | ECO NO | DATE | APPR'L |
|---------|------|-----------------|-----|--------|------|--------|
| DWG | PART | | | | | |
| 00 | 00 | INITIAL RELEASE | - | - | - | - |



- NOTES,**
- LCD Panel : 55" Edge LED PANEL
 - Weight : 26.5 Kg
 - Material : E.G.I
 - Color : Black

| | | | | | | | |
|-----------|-----------|-----------|-----------|---|--------------------|------------------------------------|------------------|
| DRAWN | PLANNED | CHECKED | APPROVED | UNLESS OTHERWISE SPECIFIED ALL DIMENSION ARE IN MILLIMETERS | ANGLE 3rd. | TITLE : D55AMB EXTERIOR VIEW | UNIT : mm |
| S.W.SEO | S.H.JANG | S.H.JANG | Y.T.KIM | | SCALE : 1/10 | | TYPE : ASSY |
| '13.09.30 | '13.09.30 | '13.09.30 | '13.09.30 | TOLERANCES ARE : LINEAR : X ± 0.2 .X ± 0.1 .XX ± 0.01 ANGLES : ± 0.1° RADII UNLESS NOTED : R 0.3 | DWG REV : 01 | DWG(PART) NO. D55AMB_001 | SIZE : A3 |
| | | | | MODEL NAME (CODE): D55AMB | CUSTOMER. HDIBT | | SH'T NO : 1/1 |
| | | | | FILE NAME : LAYOUT_D55AMB_130930.DWG | | | |