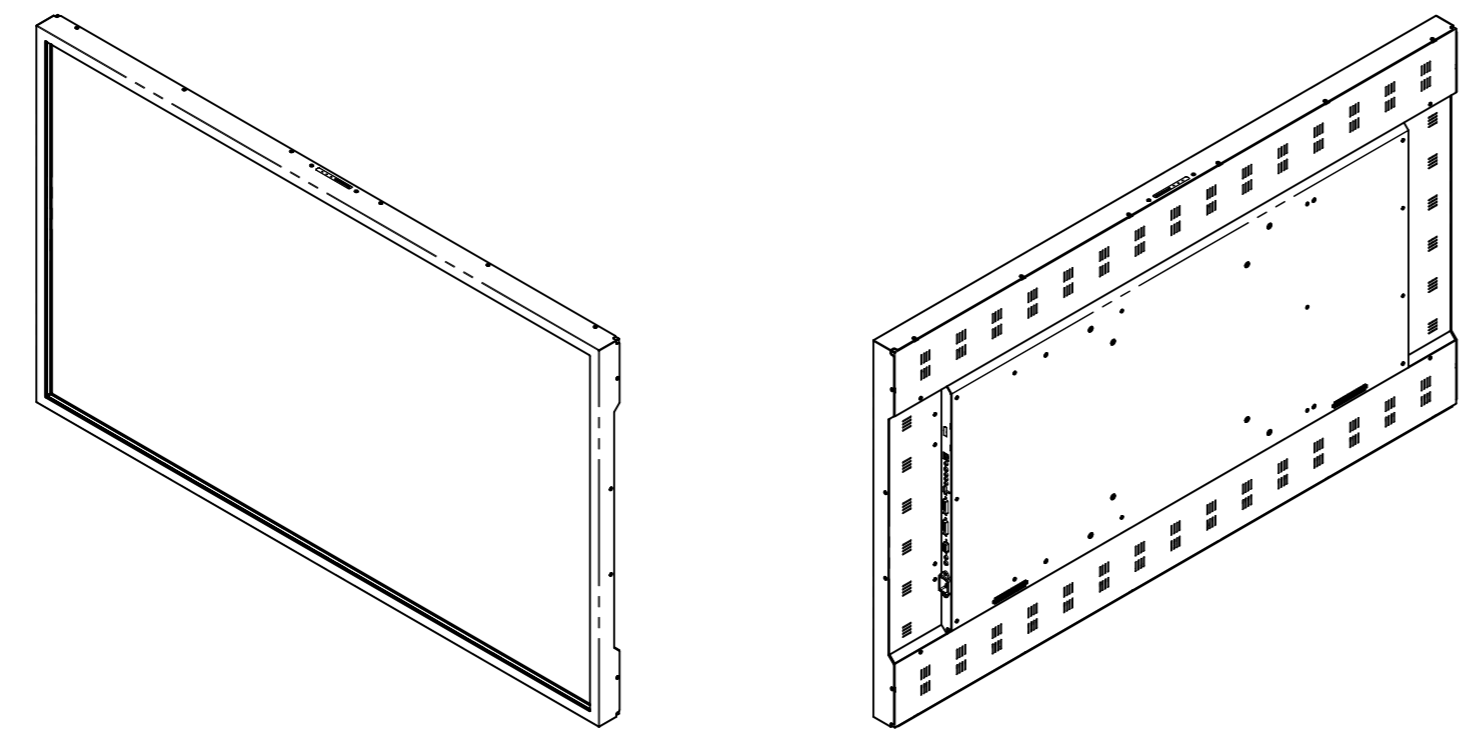
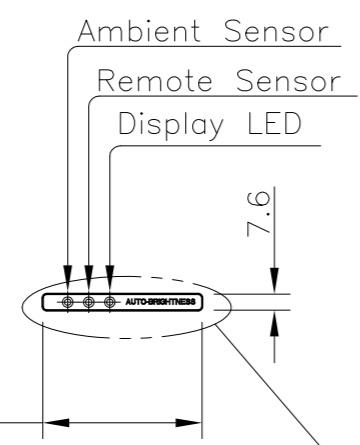
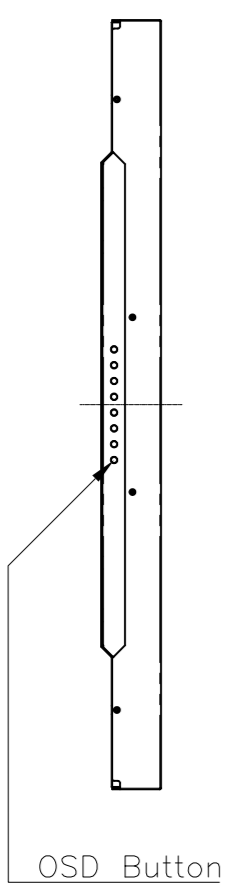
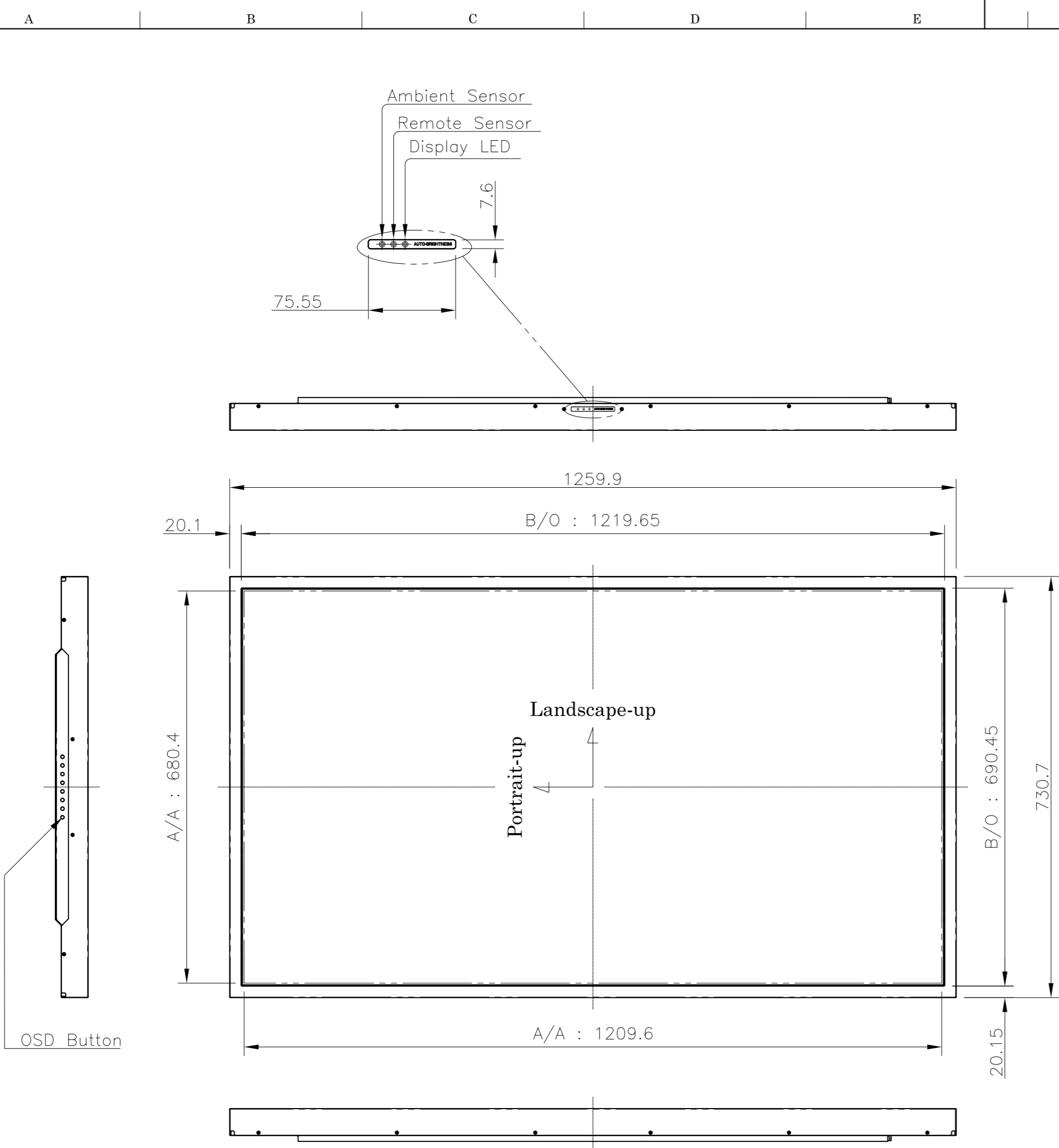
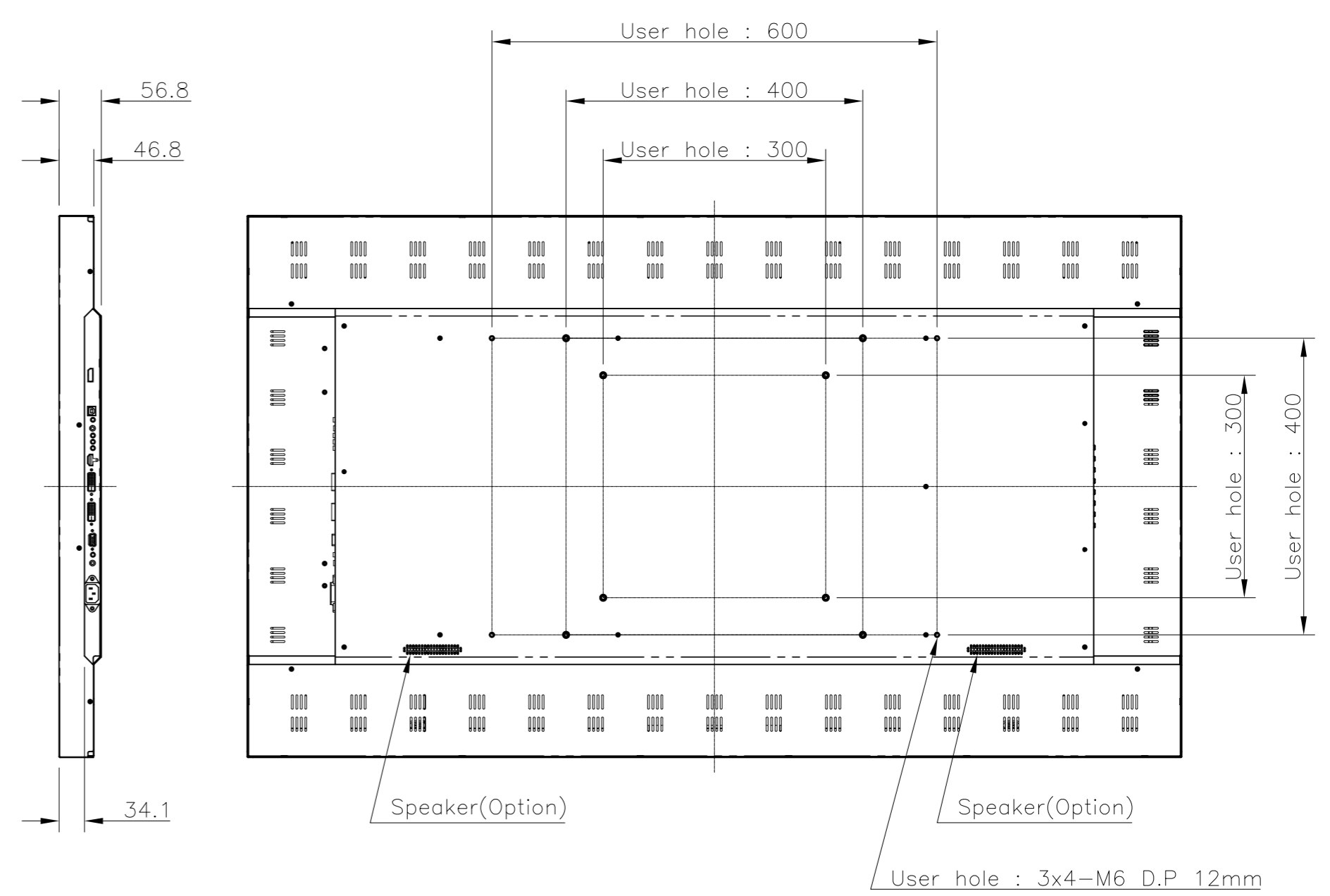


This drawing is the property of HDIBT Corp. and should not be disclosed to any third party without prior permission of HDIBT Corp..



| REV. NO | | REV. HISTORY | LTR | ECO NO | DATE | APPR'L |
|---------|------|-----------------|-----|--------|------|--------|
| DWG | PART | | | | | |
| 00 | 00 | INITIAL RELEASE | - | - | - | - |



- NOTES,**
1. LCD Panel : 55" LED PANEL
 2. Weight : T.B.D Kg
 3. Material : E.G.I
 4. Color : Black
 5. Packing Size : (W)1,403 * (D)198 * (H)890

| | | | | | | | |
|-----------|-----------|-----------|-----------|--|--------------------|-------------------------------------|------------------------------|
| DRAWN | PLANNED | CHECKED | APPROVED | UNLESS OTHERWISE SPECIFIED ALL DIMENSION ARE IN MILLIMETERS TOLERANCES ARE : LINEAR : X ± 0.2 .X ± 0.1 .XX ± 0.01 ANGLES : ± 0.1° RADI UNLESS NOTED : R 0.3 | ANGLE 3rd. | TITLE : D55EMBI EXTERIOR VIEW | UNIT : mm |
| S.W.SEO | S.H.JANG | S.H.JANG | Y.T.KIM | | SCALE : 1/10 | | TYPE : ASSY |
| '13.07.31 | '13.07.31 | '13.07.31 | '13.07.31 | | | | |
| | | | | MODEL NAME (CODE): D55EMBI | CUSTOMER. HDIBT | DWG REV : 00 | DWG(PART) NO. D55EMBI_001 |
| | | | | FILE NAME : LAYOUT_D55EM_130823_APPV.DWG | | SHT NO : 1/1 | |