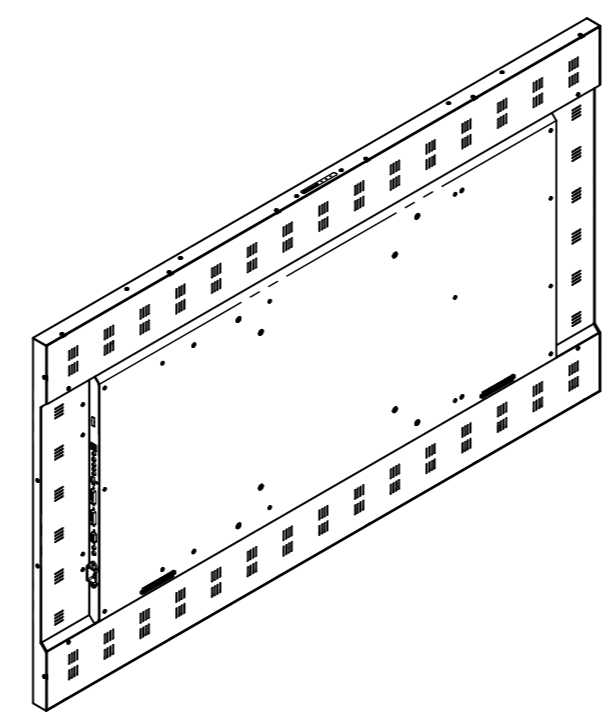
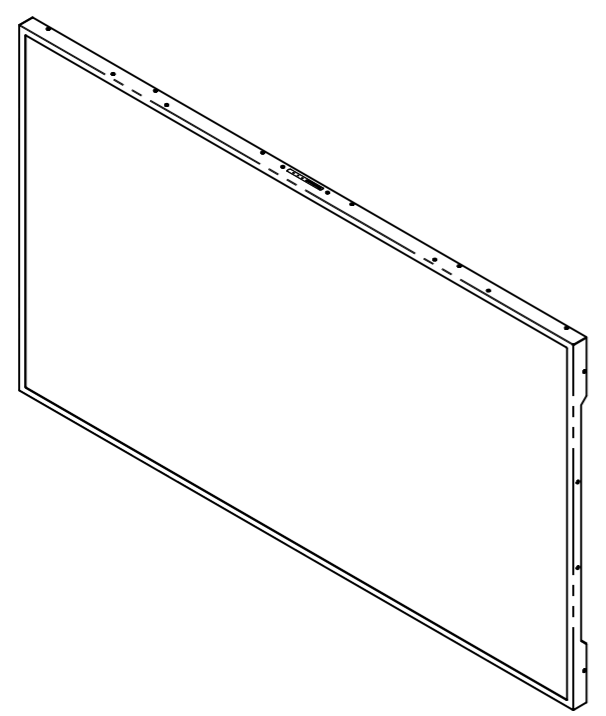
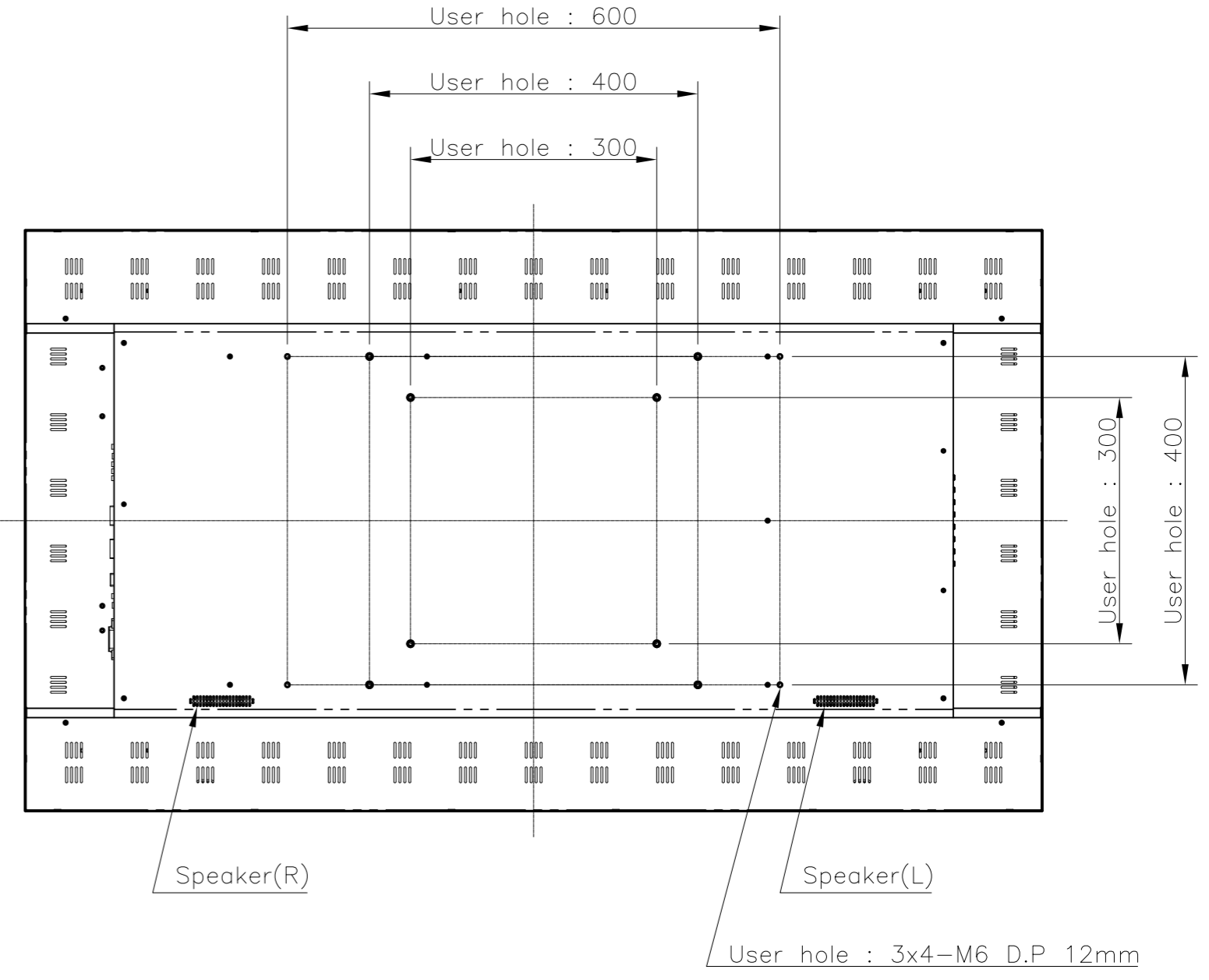
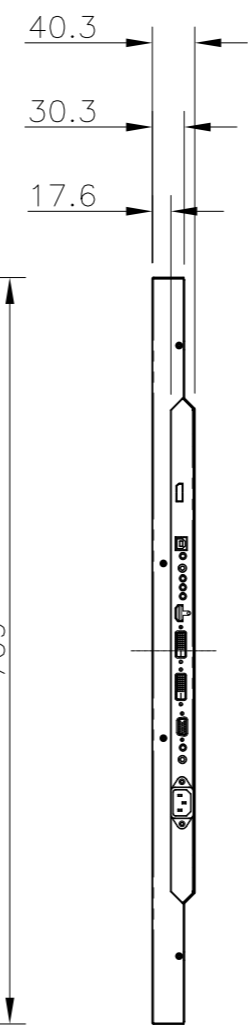
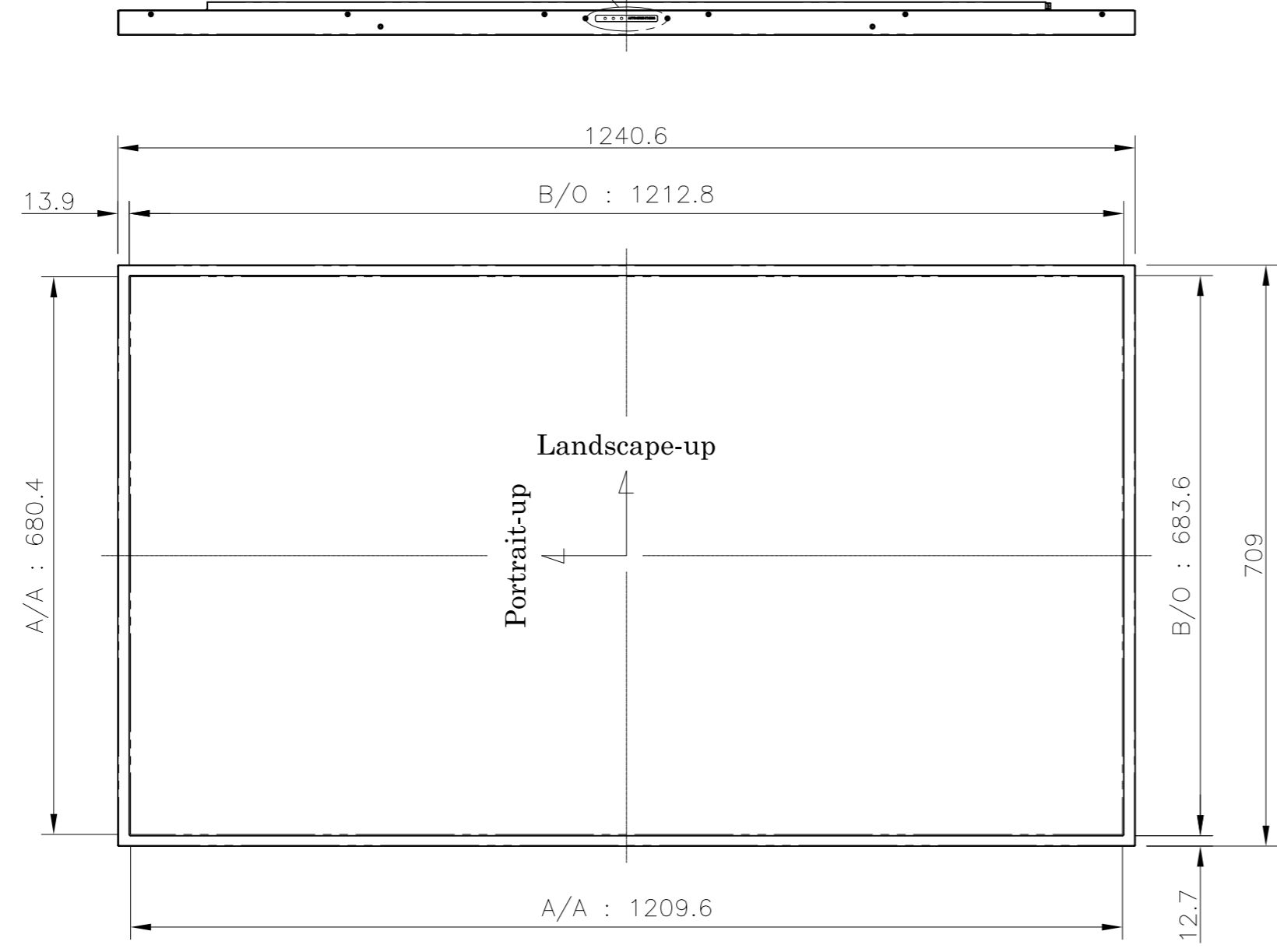
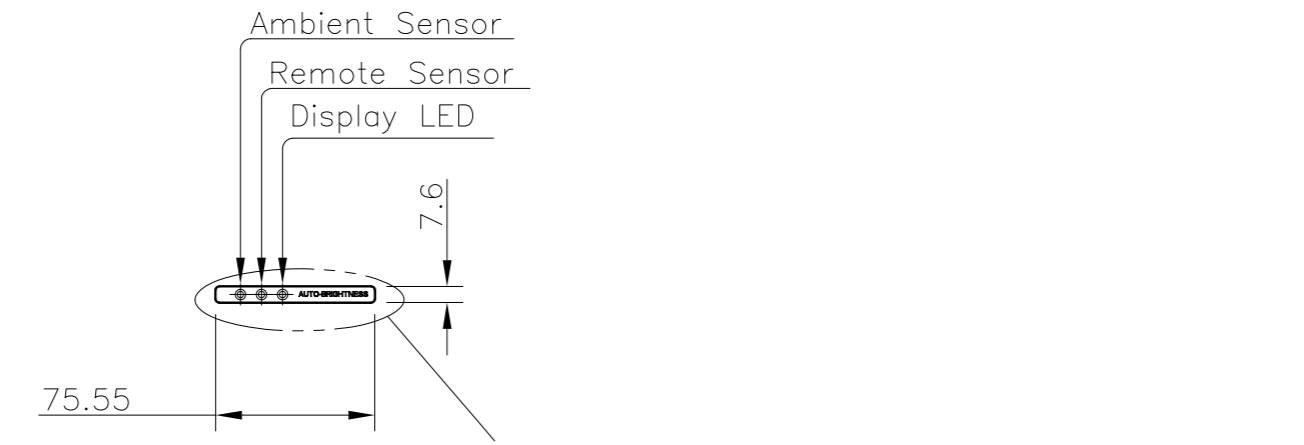


This drawing is the property of HDIBT Corp. and should not be disclosed to any third party without prior permission of HDIBT Corp..

A B C D E F G H I J

REV. NO		REV. HISTORY	LTR	ECO NO	DATE	APPR'L
DWG	PART					
00	00	INITIAL RELEASE	-	-	-	-



- NOTES,**
- LCD Panel : 55" LED PANEL
 - Weight : 29 Kg
 - Material : E.G.I
 - Color : Black
 - Packing Size : (W)1,403 * (D)198 * (H)890

DRAWN	PLANNED	CHECKED	APPROVED	UNLESS OTHERWISE SPECIFIED ALL DIMENSION ARE IN MILLIMETERS	ANGLE 3rd.	TITLE : D55EMB EXTERIOR VIEW	UNIT : mm
S.W.SEO	S.H.JANG	S.H.JANG	Y.T.KIM		SCALE : 1/10		TYPE : ASSY
'13.07.24	'13.07.24	'13.07.24	'13.07.24	TOLERANCES ARE : LINEAR : X ± 0.2 .X ± 0.1 .XX ± 0.01 ANGLES : ± 0.1° RADII UNLESS NOTED : R 0.3	CUSTOMER. HDIBT	DWG REV : 00	SIZE : A3
				FILE NAME : LAYOUT_D55EM_130823_APPV.DWG	CUSTOMER. HDIBT	SHT NO : 1/1	