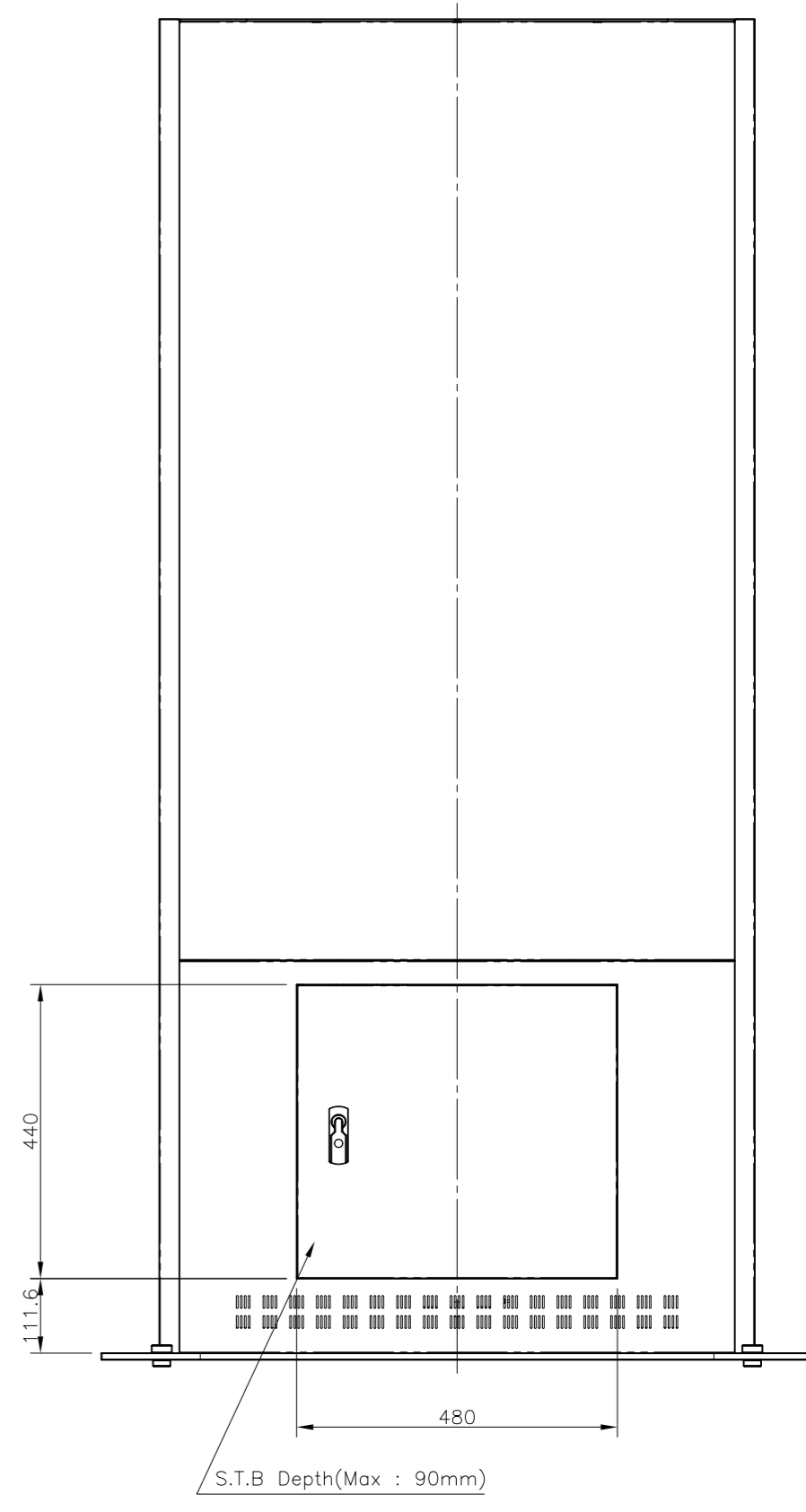
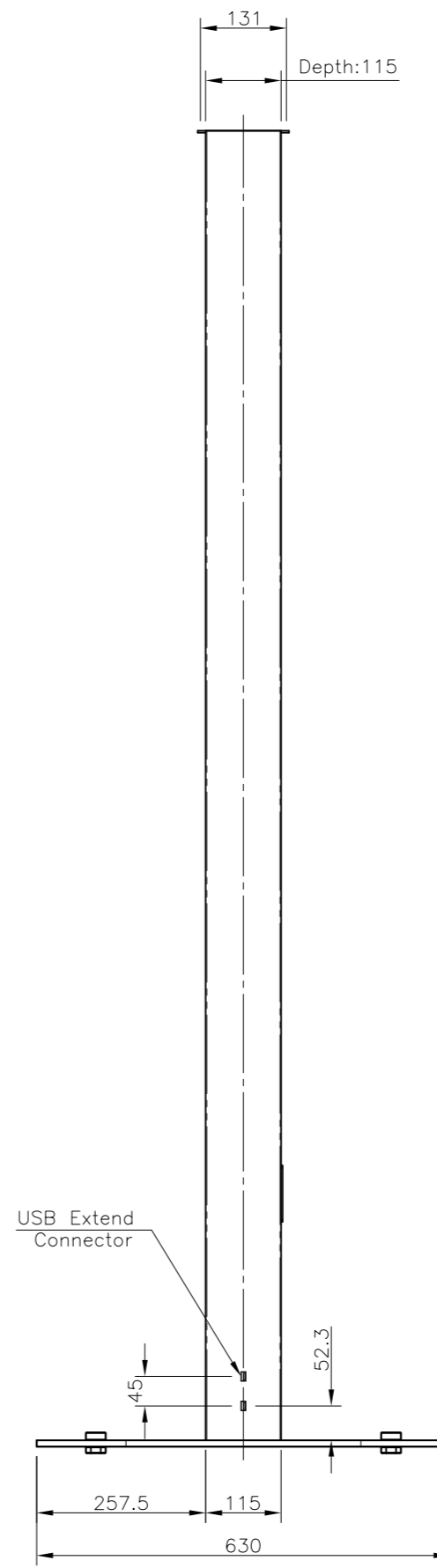
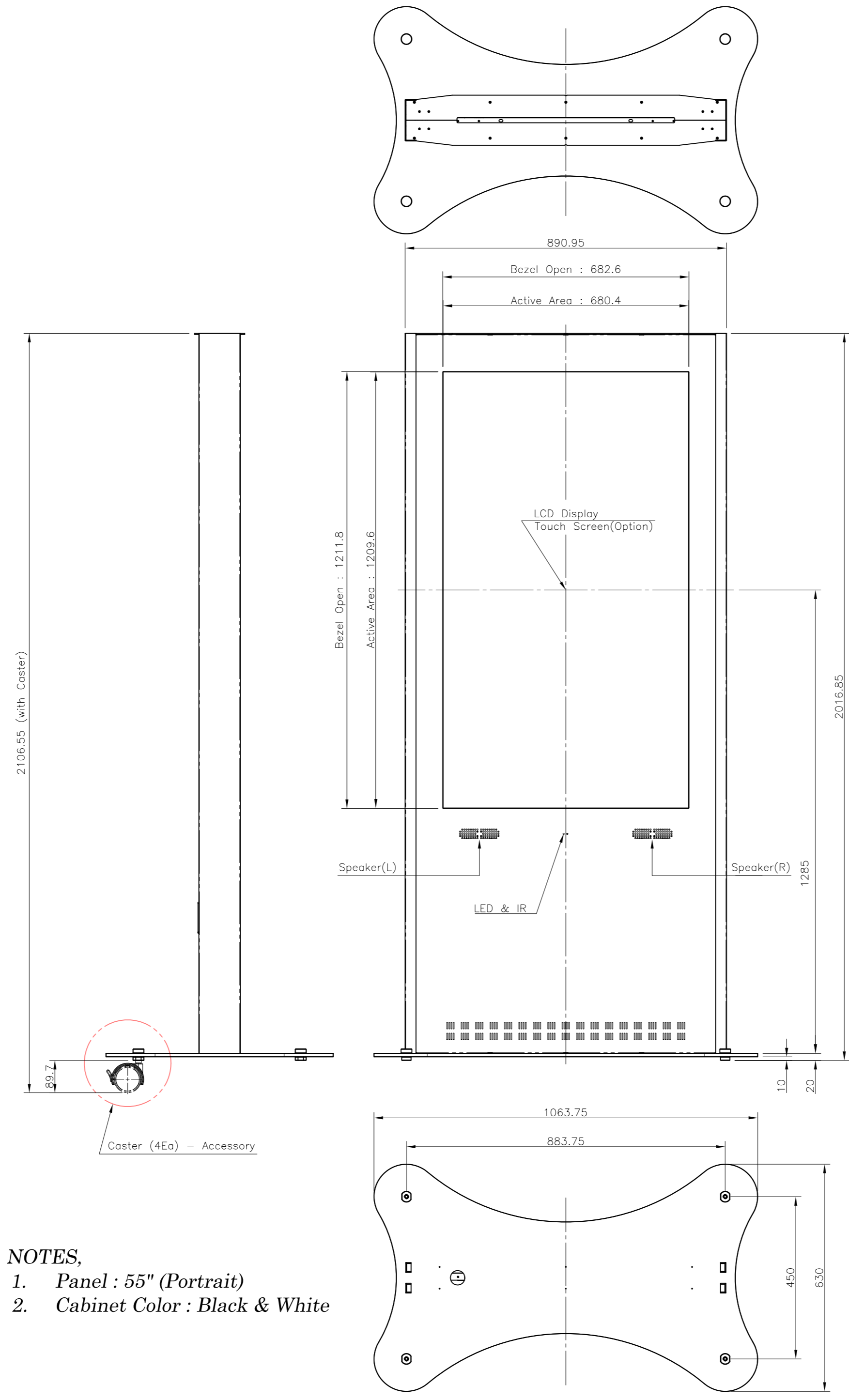
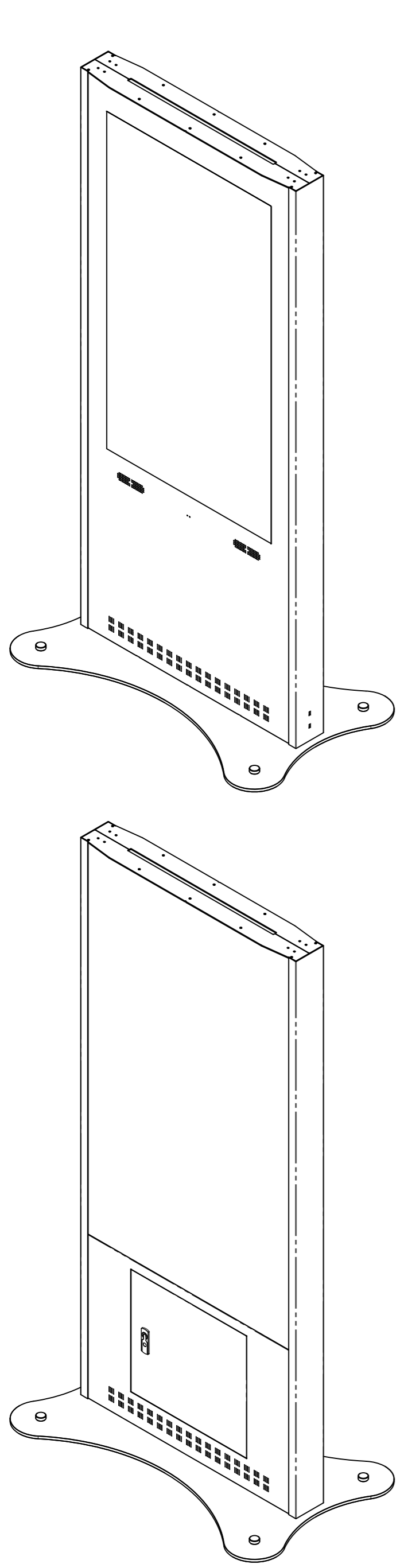


REV. NO		REV. HISTORY	LTR	ECO NO	DATE	APPR'L
DWG	PART					
00	00	INITIAL RELEASE	-	-	-	-



- NOTES,**
- Panel : 55" (Portrait)
 - Cabinet Color : Black & White

DRAWN S.W.SEO 15.05.19	PLANNED S.H.JANG 15.05.19	CHECKED S.H.JANG 15.05.19	APPROVED Y.T.KIM 15.05.19	UNLESS OTHERWISE SPECIFIED ALL DIMENSION ARE IN MILLIMETERS TOLERANCES ARE: LINEAR : X ± 0.20 X ± 0.1 XX ± 0.01 ANGLES : ± 0.1° RADIUS UNLESS NOTED : R 0.3	ANGLE 3rd. SCALE : 1/10	TITLE : D55ESB EXTERIOR VIEW	UNIT : mm TYPE : ASSY
MODEL NAME (CODE): D55ESB			CUSTOMER: HDT	DWG REV : 00	DWG(PART) NO. D55ESB_001		
FILE NAME : LAYOUT_D55ESB_150519.DWG				SHT NO : 1/1	SIZE : A2		