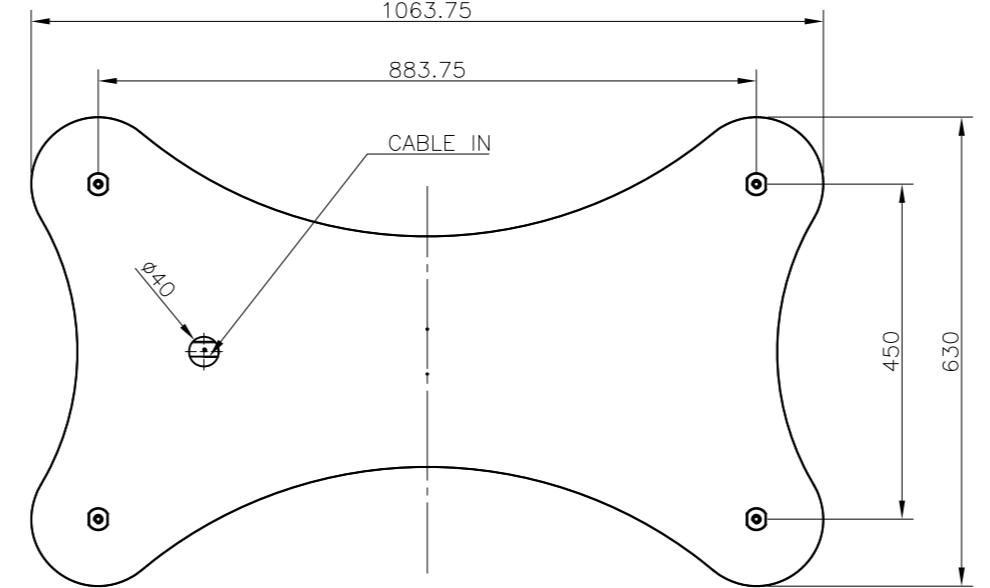
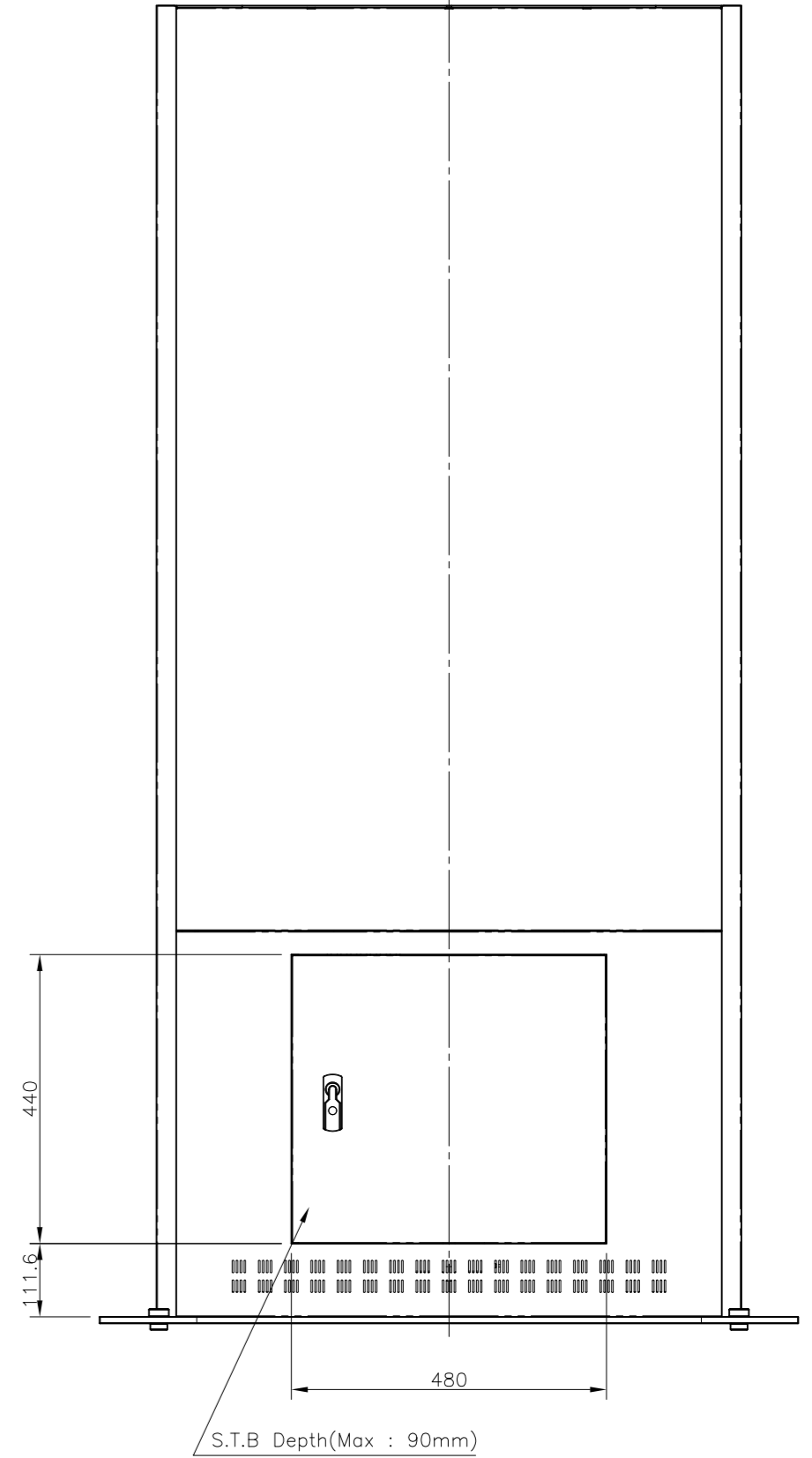
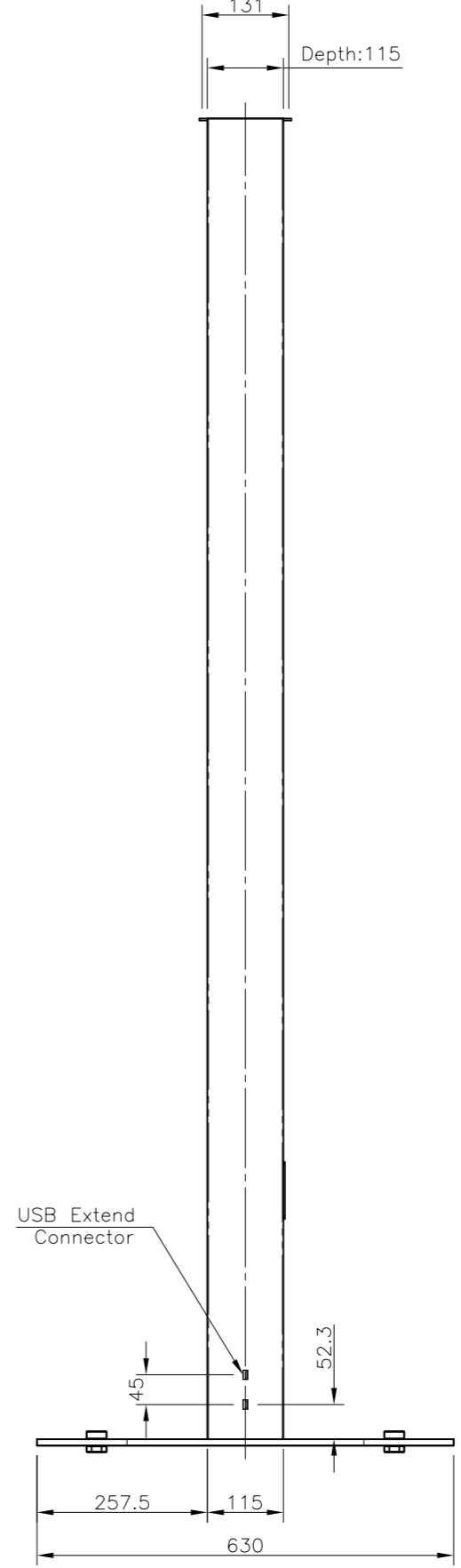
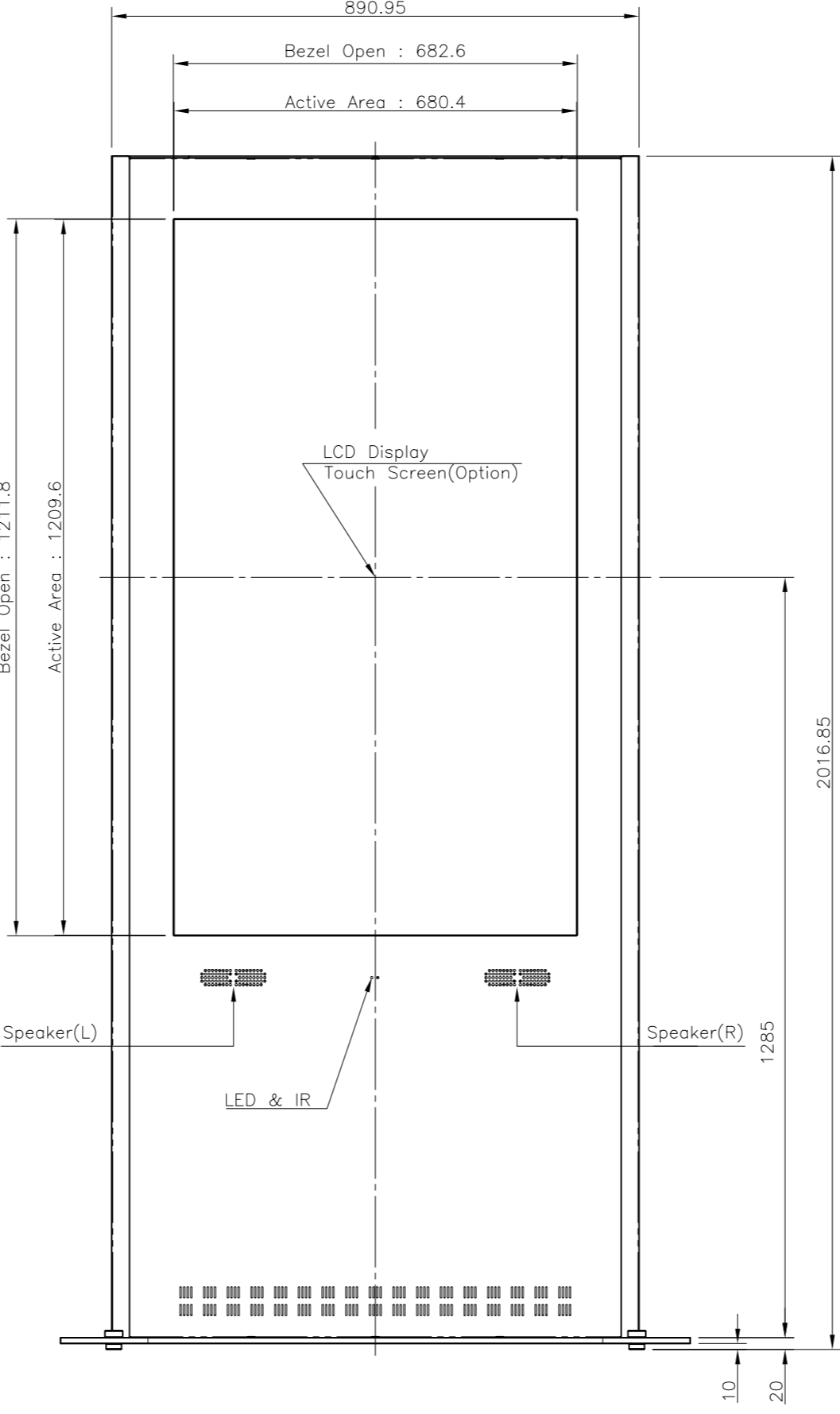
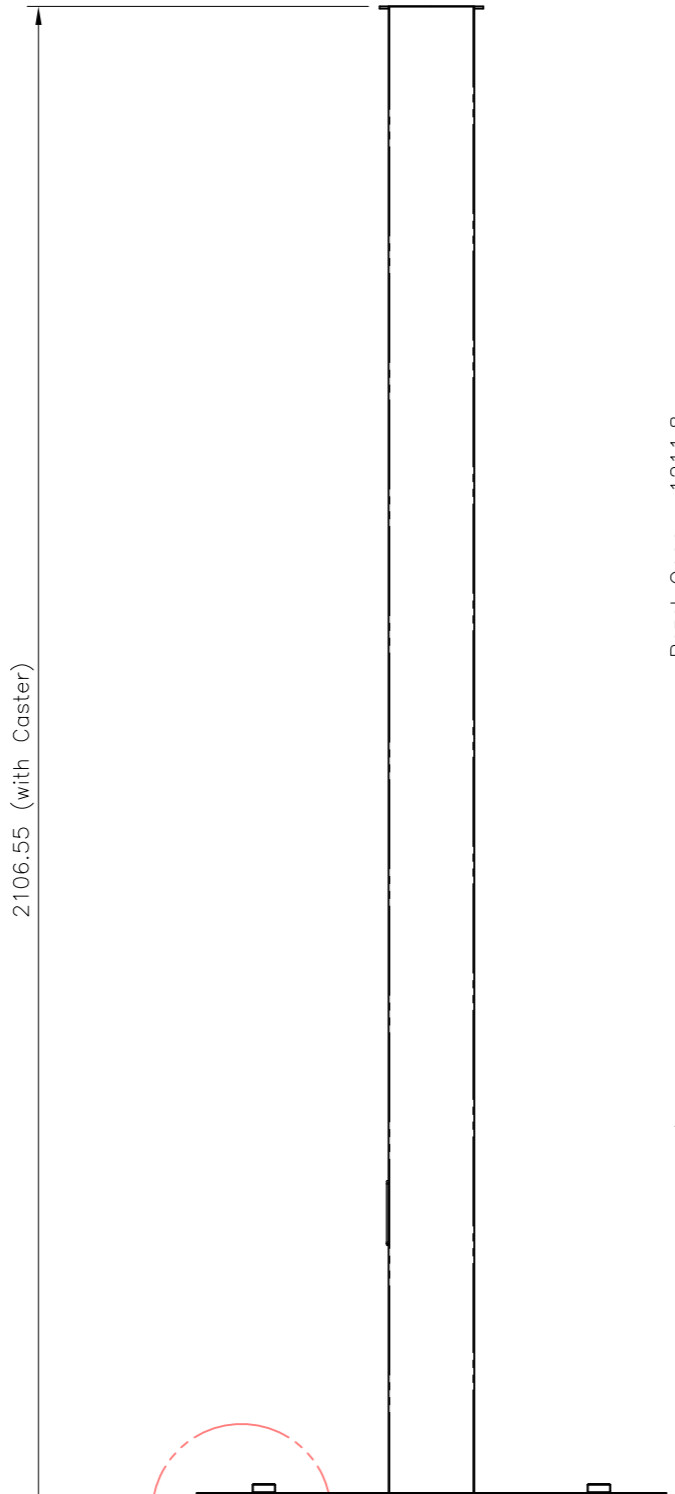
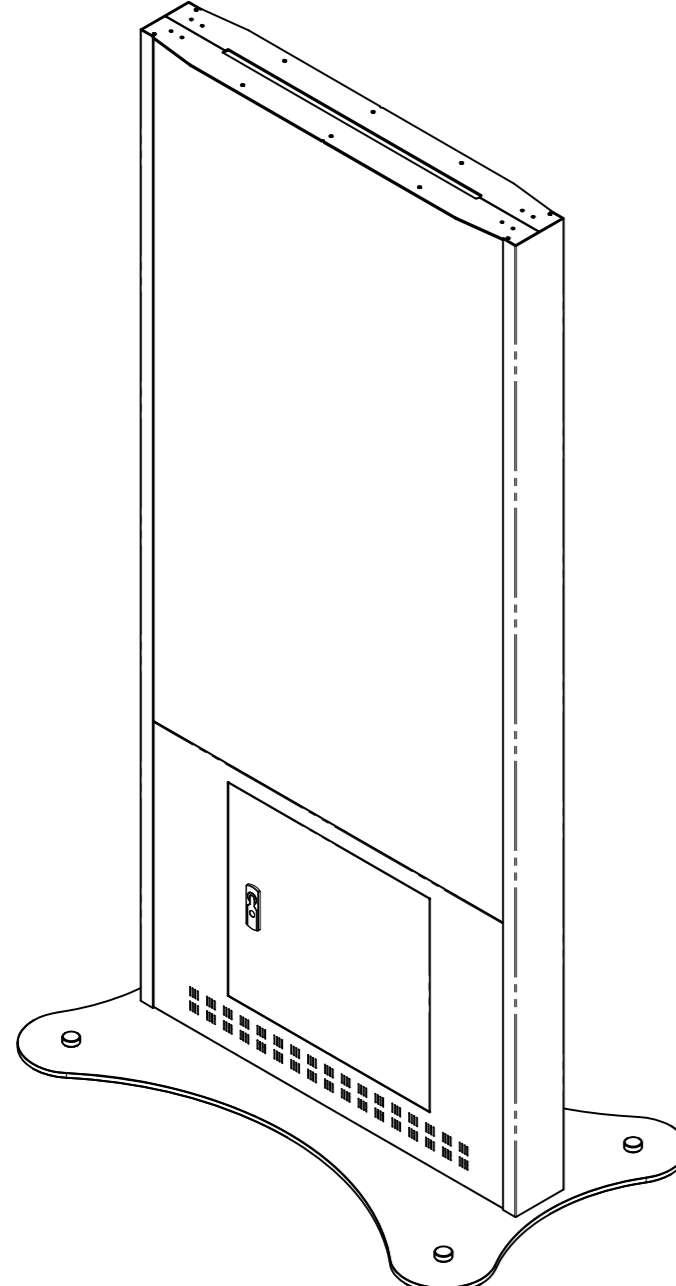
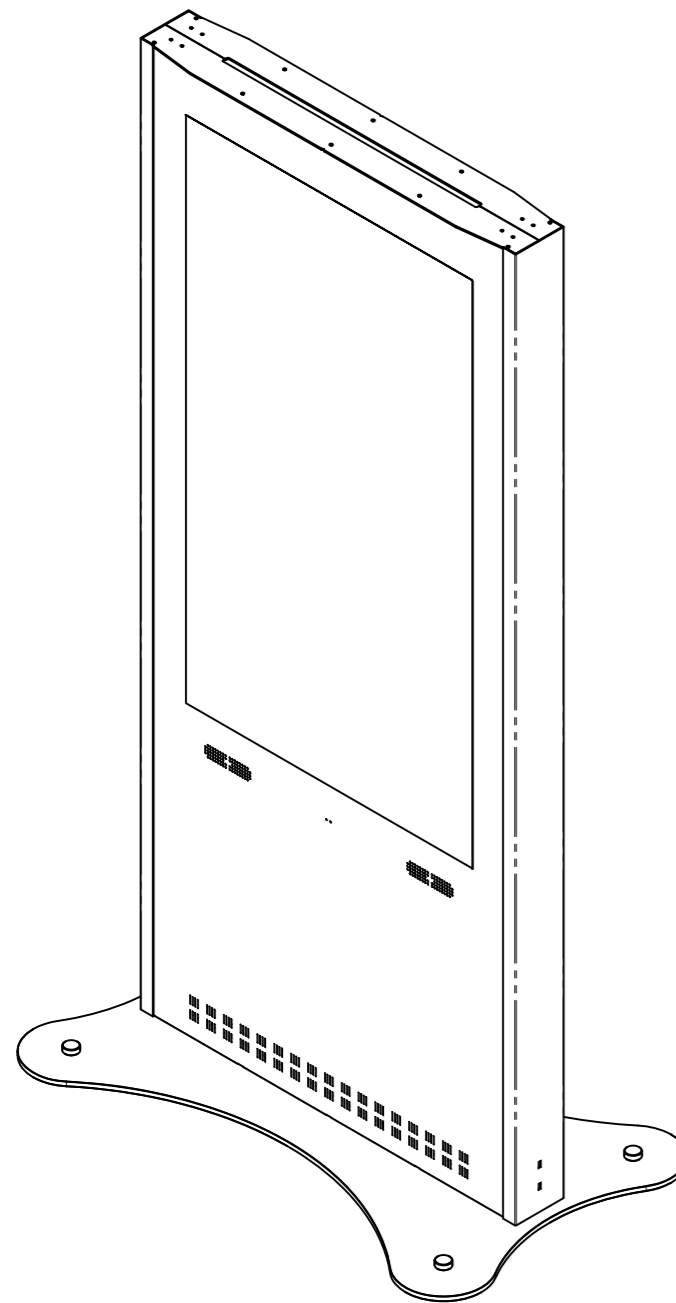
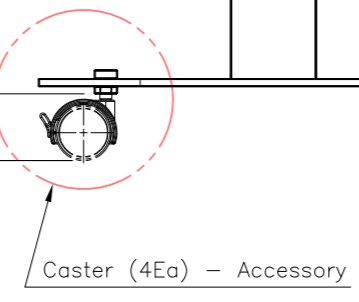


REV. NO		REV. HISTORY	LTR	ECO NO	DATE	APPR'L
DWG	PART					
00	00	INITIAL RELEASE	-	-	-	-



- NOTES,**
- Panel : 55" (Portrait)
 - Cabinet Color : Black & White



DRAWN	PLANNED	CHECKED	APPROVED	UNLESS OTHERWISE SPECIFIED ALL DIMENSION ARE IN MILLIMETERS	ANGLE	TITLE :	UNIT :	
S.W.SEO	S.H.JANG	S.H.JANG	Y.T.KIM		3rd.			D55ESN EXTERIOR VIEW
'17.09.07	'17.09.07	'17.09.07	'17.09.07	TOLERANCES ARE: LINEAR : X ± 0.20 X ± 0.1 XX ± 0.01 ANGLES : ± 0.1° RADIUS UNLESS NOTED : R 0.3	SCALE :	DWG(PART) NO.	SIZE :	
HYUNDAI IT CO., LTD.				MODEL NAME (CODE): D55ESN	CUSTOMER: HDT			DWG REV : 00
				FILE NAME : LAYOUT_D55ESN_170907.DWG		SHT NO : 1/1	D55ESN_001	