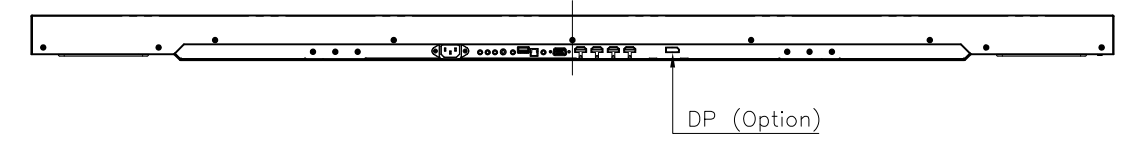
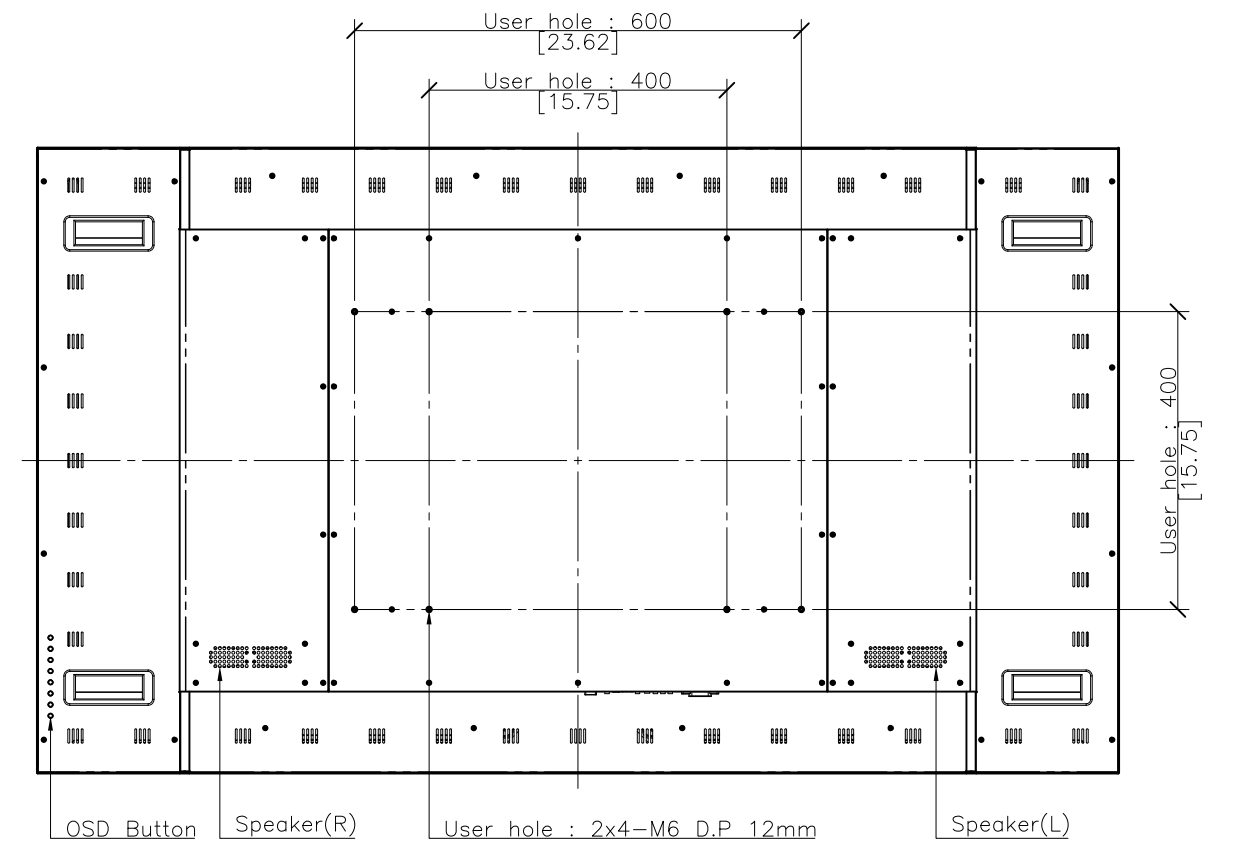
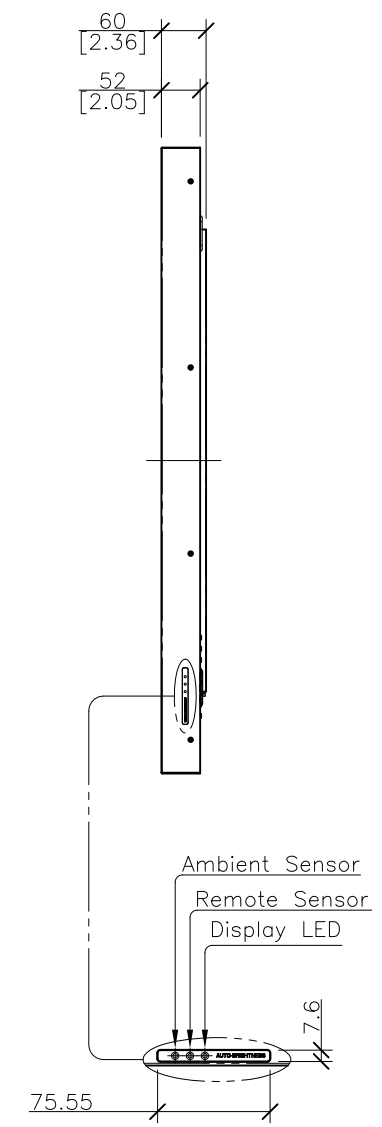
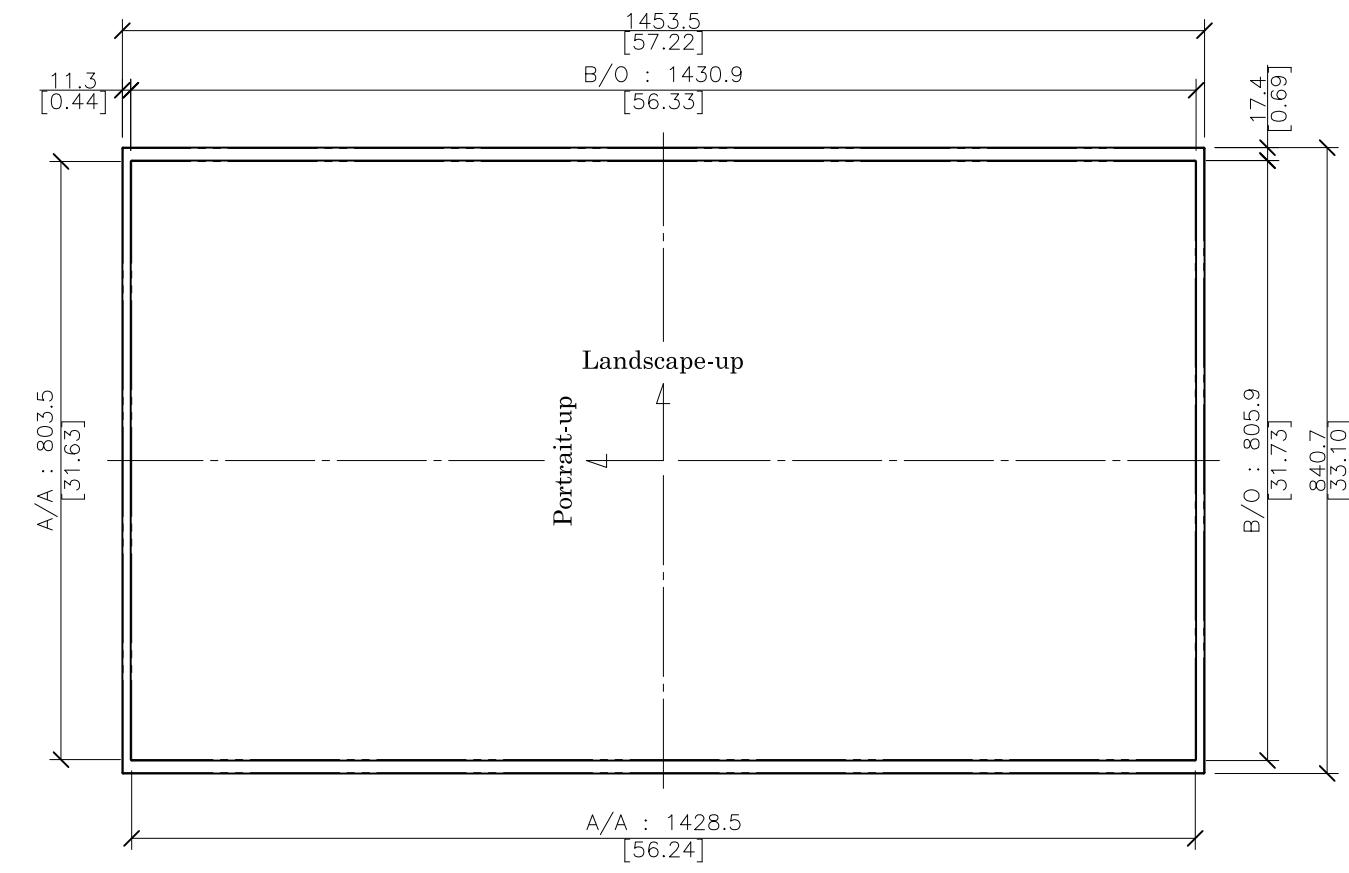
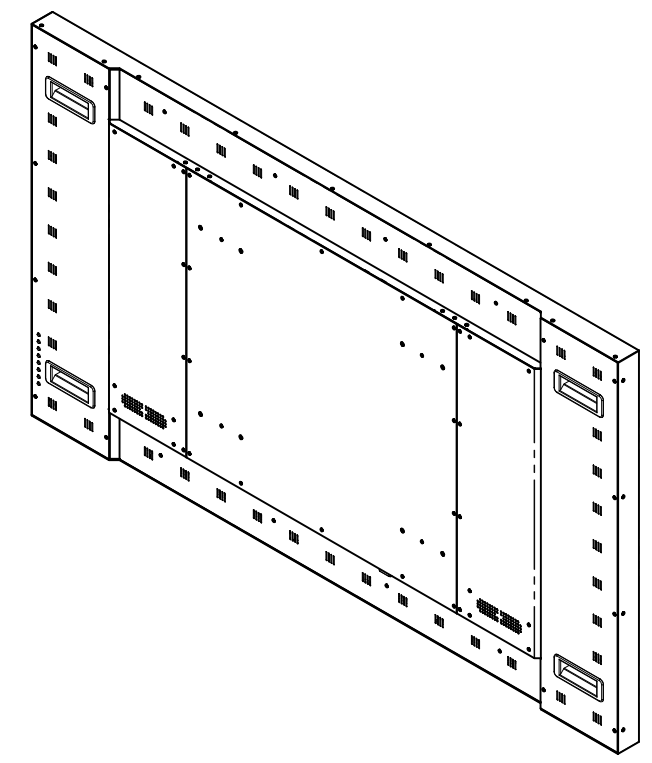
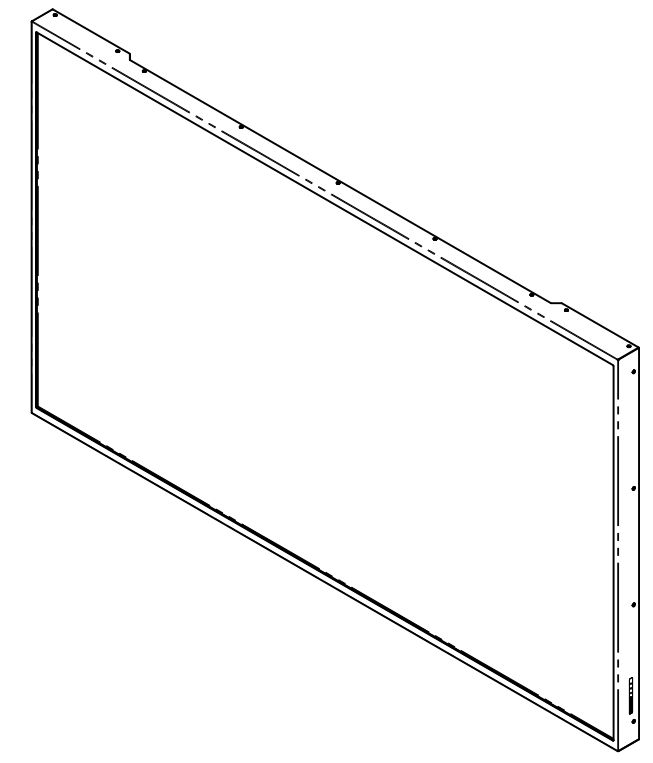
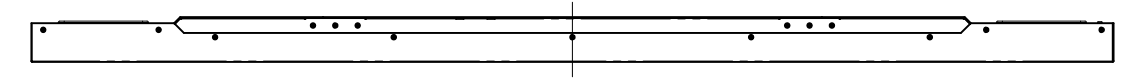


REV. NO		REV. HISTORY	LTR	ECO NO	DATE	APPR'L
DWG	PART					
00	00	INITIAL RELEASE	-	-	-	-



- NOTES.**
- LCD Panel : 65"
 - Material : E.G.I
 - Color : Black

DRAWN	PLANNED	CHECKED	APPROVED	UNLESS OTHERWISE SPECIFIED ALL DIMENSION ARE IN MILLIMETERS	ANGLE: 3rd.	TITLE : D65AMN EXTERIOR VIEW	UNIT : mm
S.W.SEO	S.H.JANG	S.H.JANG	Y.T.KIM		SCALE: 1/10		TYPE : PART
'17.06.28	'17.06.28	'17.06.28	'17.06.28	TOLERANCES ARE: LINEAR : X ± 0.20 X ± 0.1 XX ± 0.01 ANGLES : ± 0.1° RADI : UNLESS NOTED : R 0.3	CUSTOMER: HDT	DWG REV : 00	SIZE : A2
HYUNDAI IT CO.,LTD.			MODEL NAME (CODE): D65AMN				

This drawing is the property of HYUNDAI IT CO.,LTD. and should not be disclosed to any third party without prior permission of HYUNDAI IT CO.,LTD..