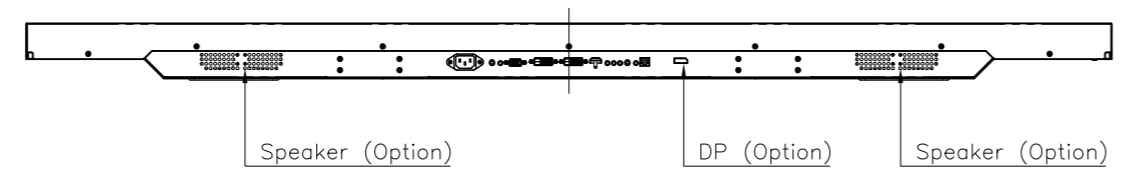
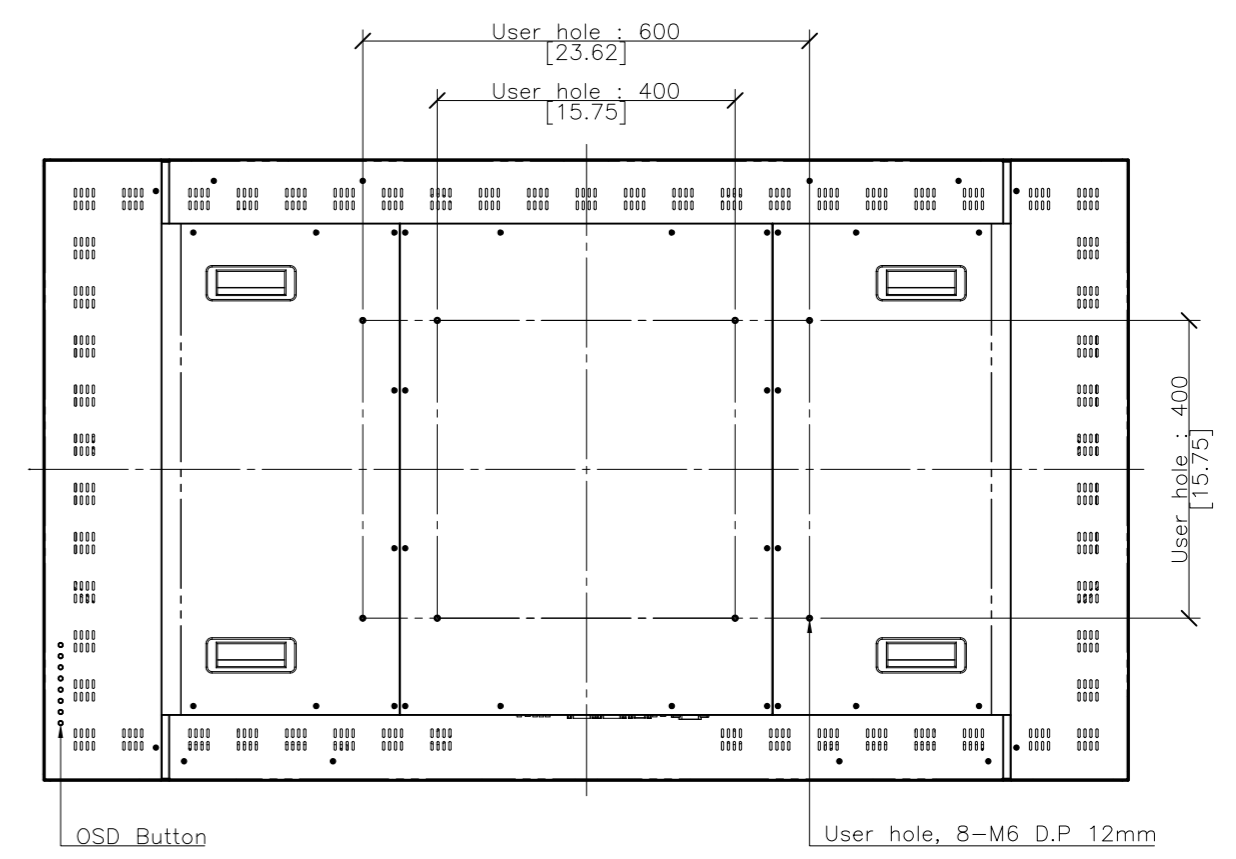
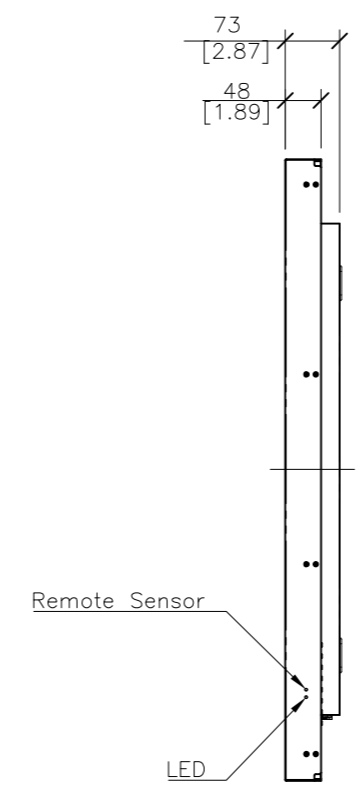
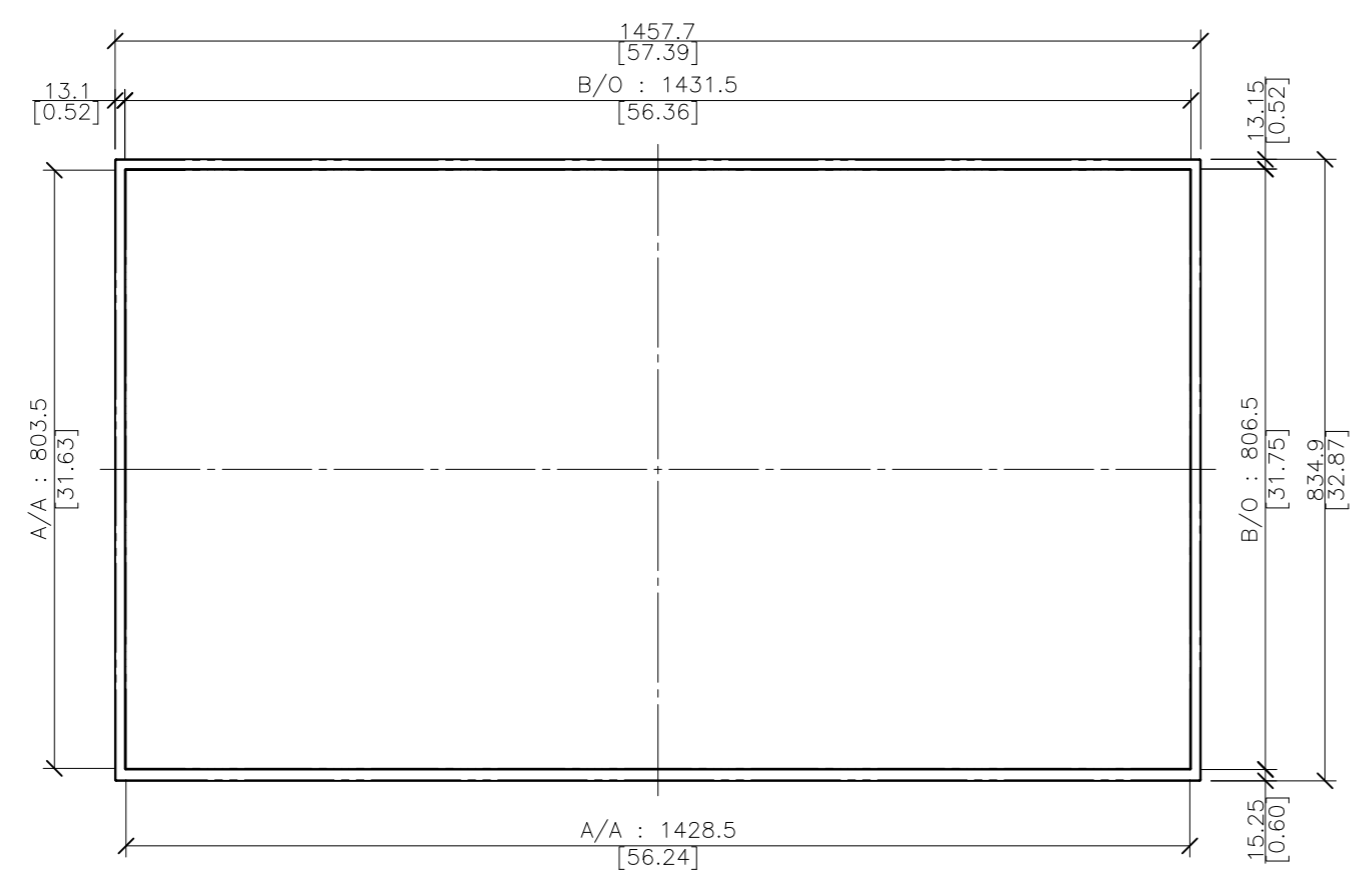
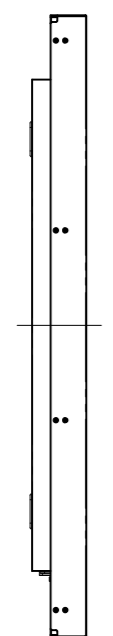
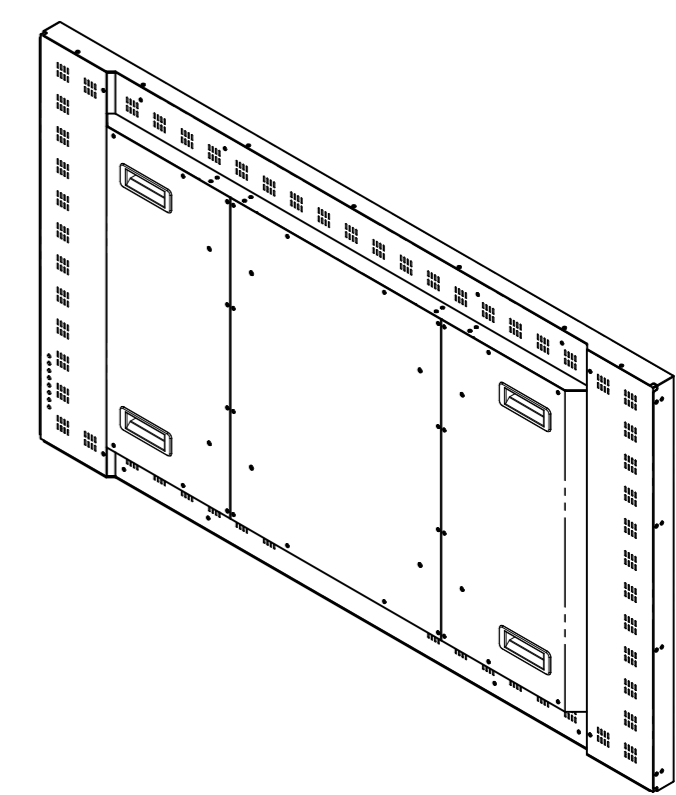
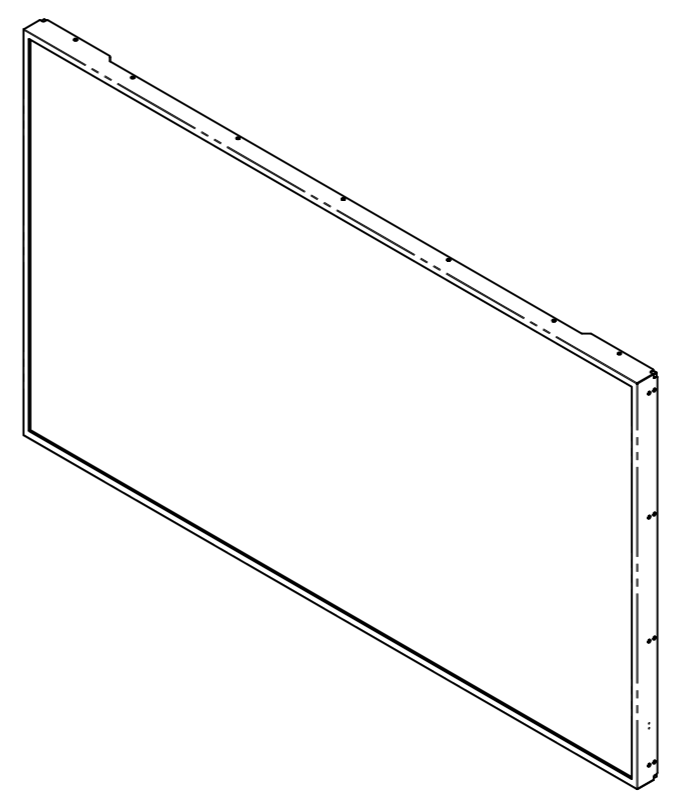
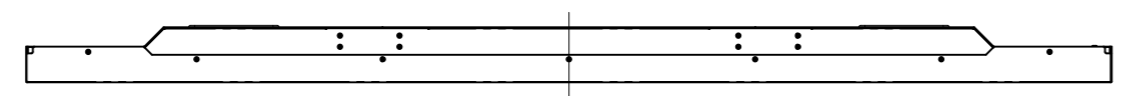


REV. NO		REV. HISTORY	LTR	ECO NO	DATE	APPR'L
DWG	PART					
00	00	INITIAL RELEASE	-	-	-	-



- NOTES**
1. LCD Panel : 65" LED Back Light Panel
  2. Weight : T.B.D kg
  3. Material : E.G.I
  4. Color : Black

DRAWN	PLANNED	CHECKED	APPROVED	UNLESS OTHERWISE SPECIFIED ALL DIMENSION ARE IN MILLIMETERS	ANGLE 3rd.	TITLE	UNIT
S.W.SEO	S.H.JANG	S.H.JANG	Y.T.KIM	TOLERANCES ARE: LINEAR : X ± 0.20 X ± 0.1 XX ± 0.01 ANGLES : ± 0.1° RADII UNLESS NOTED : R 0.3	SCALE 1/10	D65AM EXTERIOR VIEW	mm
'15.10.01	'15.10.01	'15.10.01	'15.10.01			DWG(PART) NO. D65AM_001	TYPE : ASSY
				MODEL NAME (CODE): D65AM	CUSTOMER: HDT	DWG REV : 00	SIZE : A2
				FILE NAME : LAYOUT_D65AM_151001.DWG		SHT NO : 1/1	

This drawing is the property of HYUNDAI IT Corp. and should not be disclosed to any third party without prior permission of HYUNDAI IT Corp..