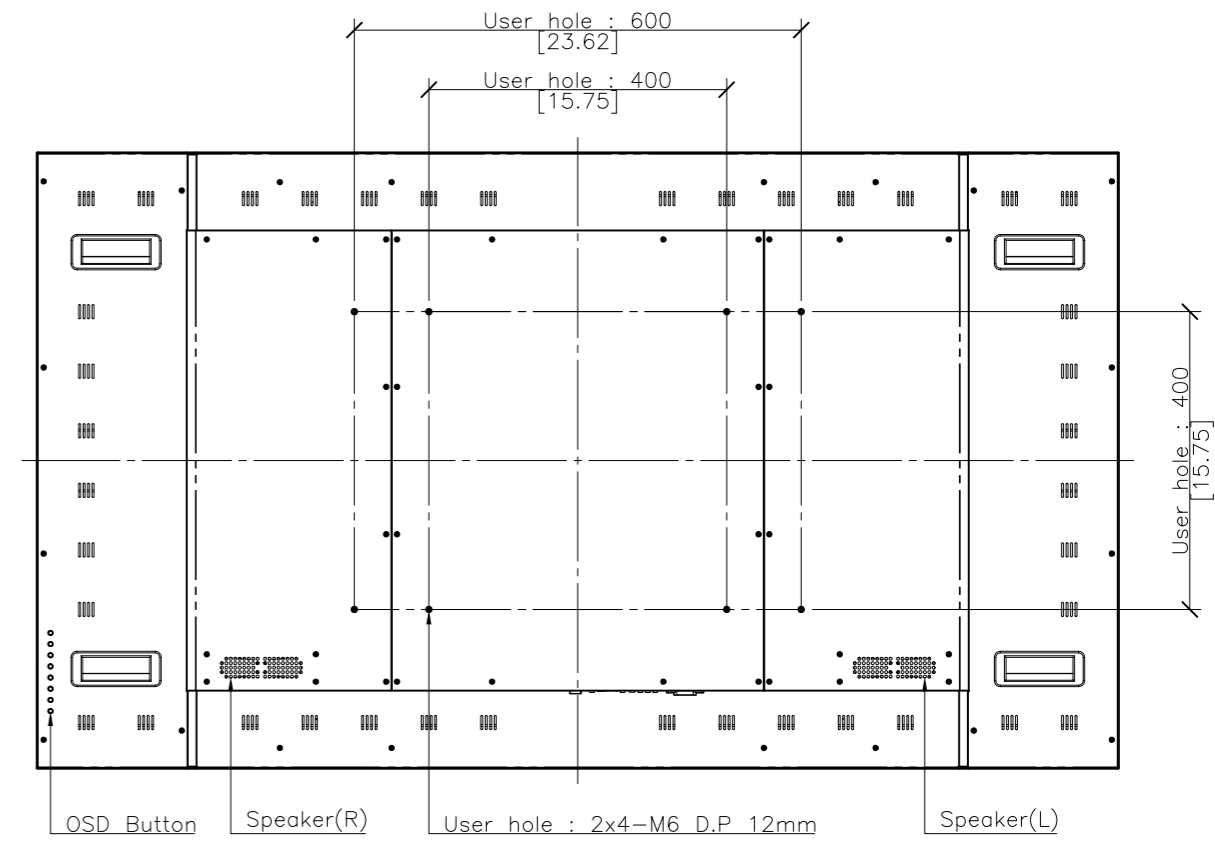
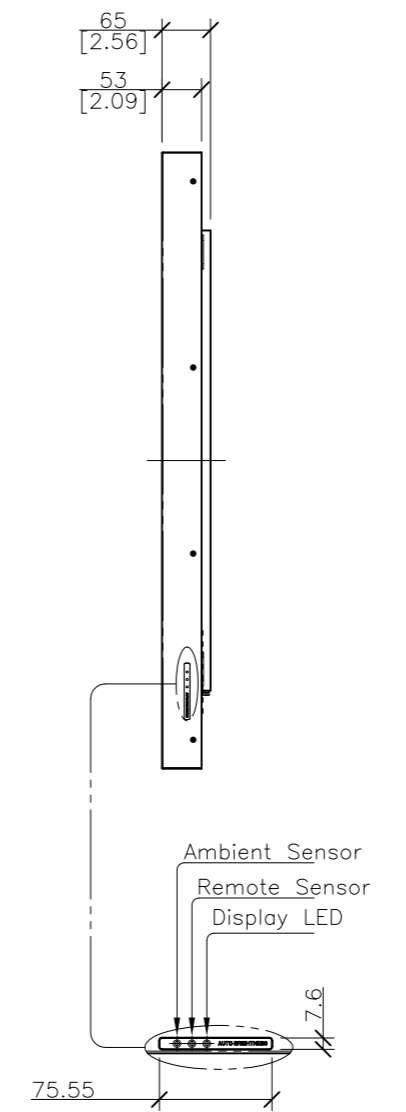
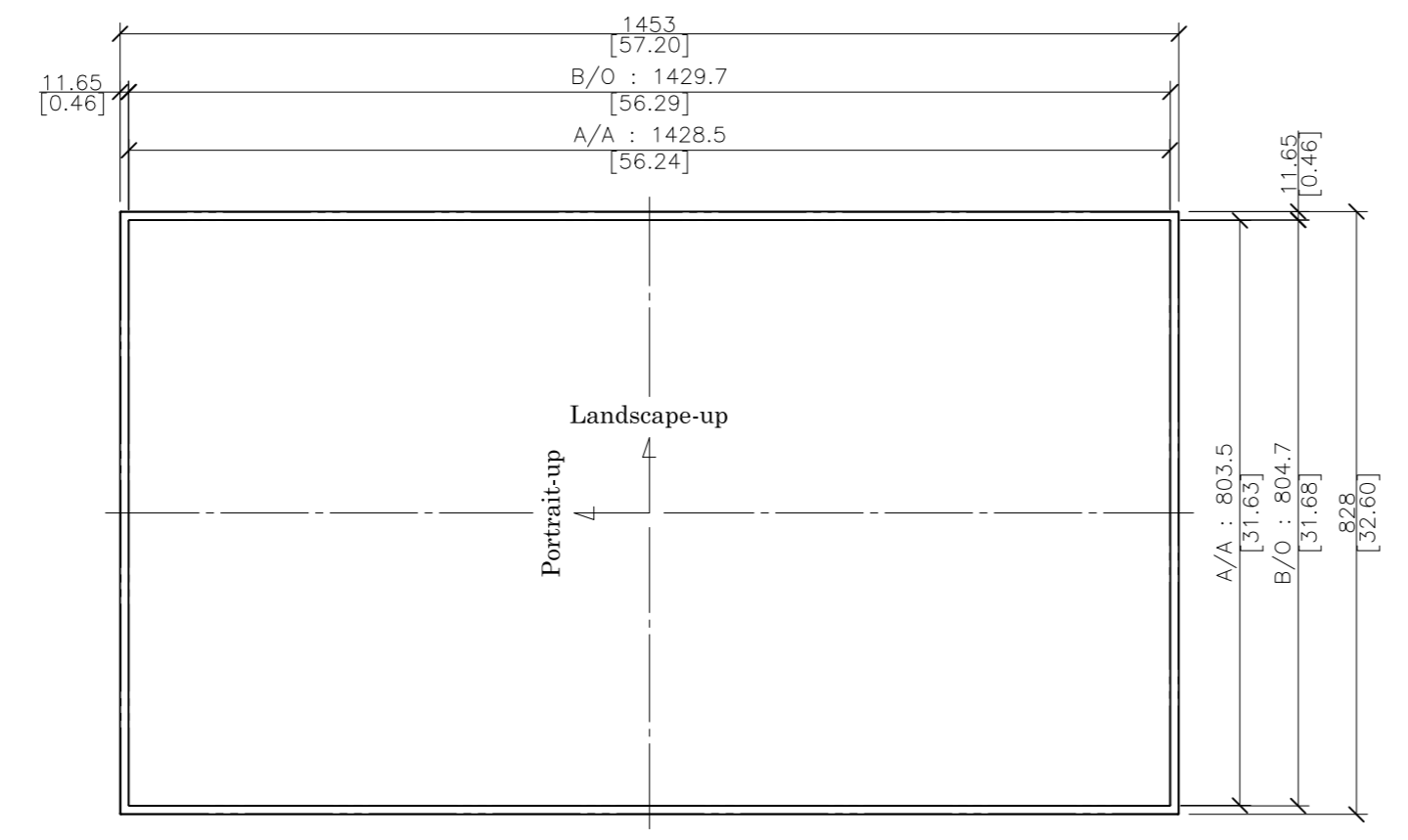
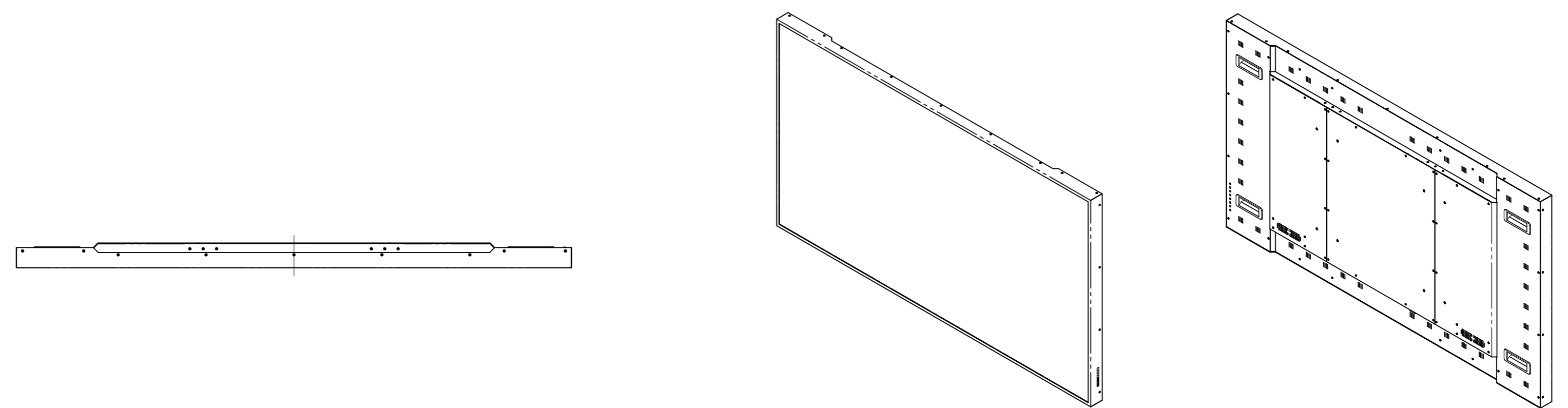


REV. NO		REV. HISTORY	LTR	ECO NO	DATE	APPR'L
DWG	PART					
00	00	INITIAL RELEASE	-	-	-	-



- NOTES,**
1. LCD Panel : 65"
 2. Material : E.G.I
 3. Color : Black

DRAWN	PLANNED	CHECKED	APPROVED	UNLESS OTHERWISE SPECIFIED ALL DIMENSION ARE IN MILLIMETERS		ANGLE: 3rd.	TITLE : D65EMN EXTERIOR VIEW	UNIT : mm
S.W.SEO	S.H.JANG	S.H.JANG	Y.T.KIM	TOLERANCES ARE: LINEAR : X ± 0.20 X ± 0.1 XX ± 0.01 ANGLES : ± 0.1° RADI UNLESS NOTED : R 0.3		SCALE : 1/10		TYPE : PART
'17.06.20	'17.06.20	'17.06.20	'17.06.20	MODEL NAME (CODE): D65EMN_700cd	CUSTOMER: HDT	DWG REV : 00	DWG(PART) NO. D65EMN_001	SIZE : A2
HYUNDAI IT CO.,LTD.				FILE NAME : LAYOUT_D65EMN(700)_170620.DWG	SHT NO : 1/1			

This drawing is the property of HYUNDAI IT CO.,LTD. and should not be disclosed to any third party without prior permission of HYUNDAI IT CO.,LTD..