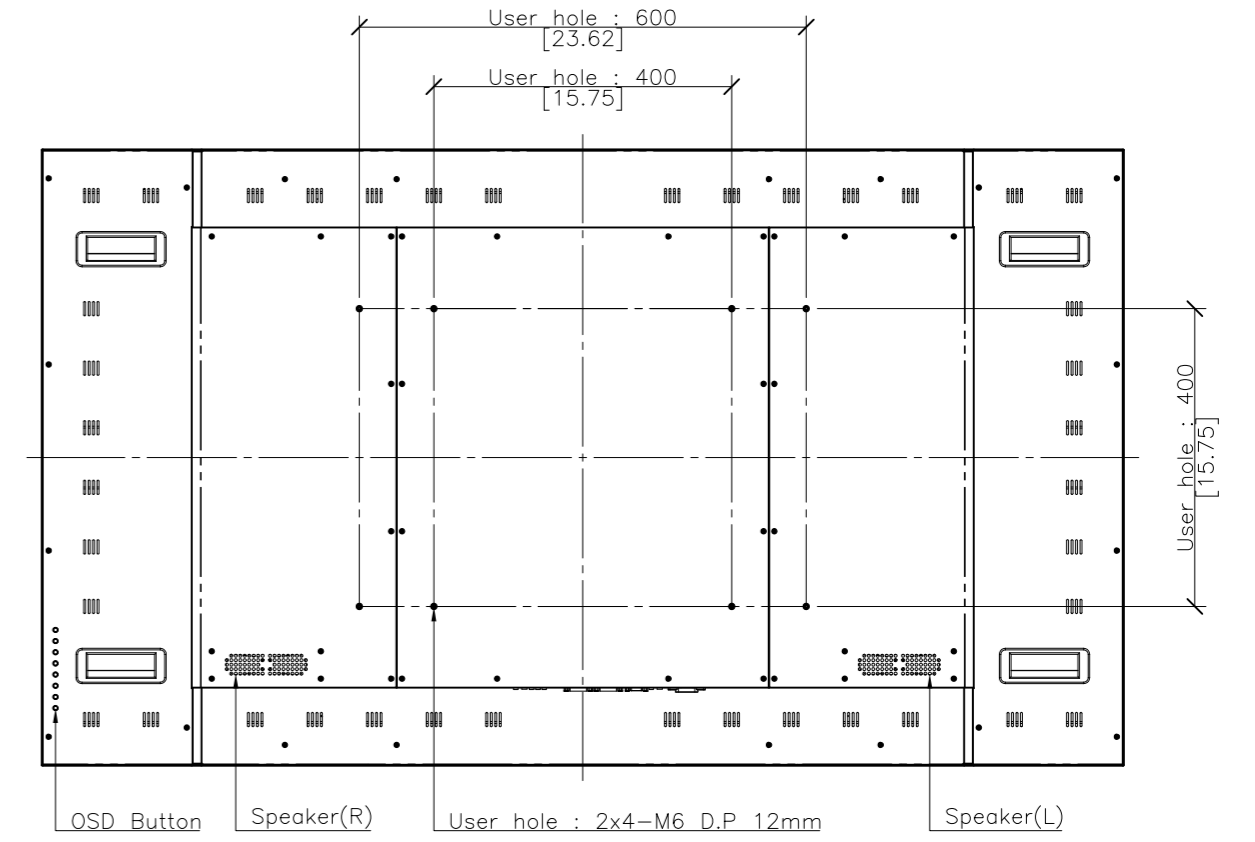
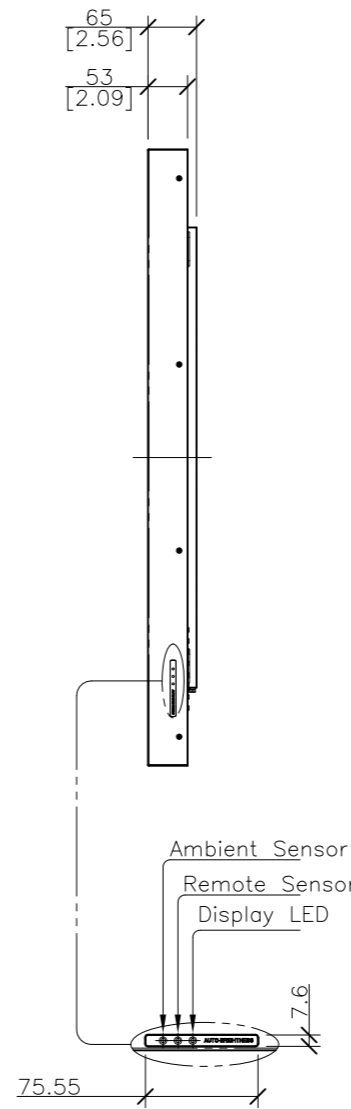
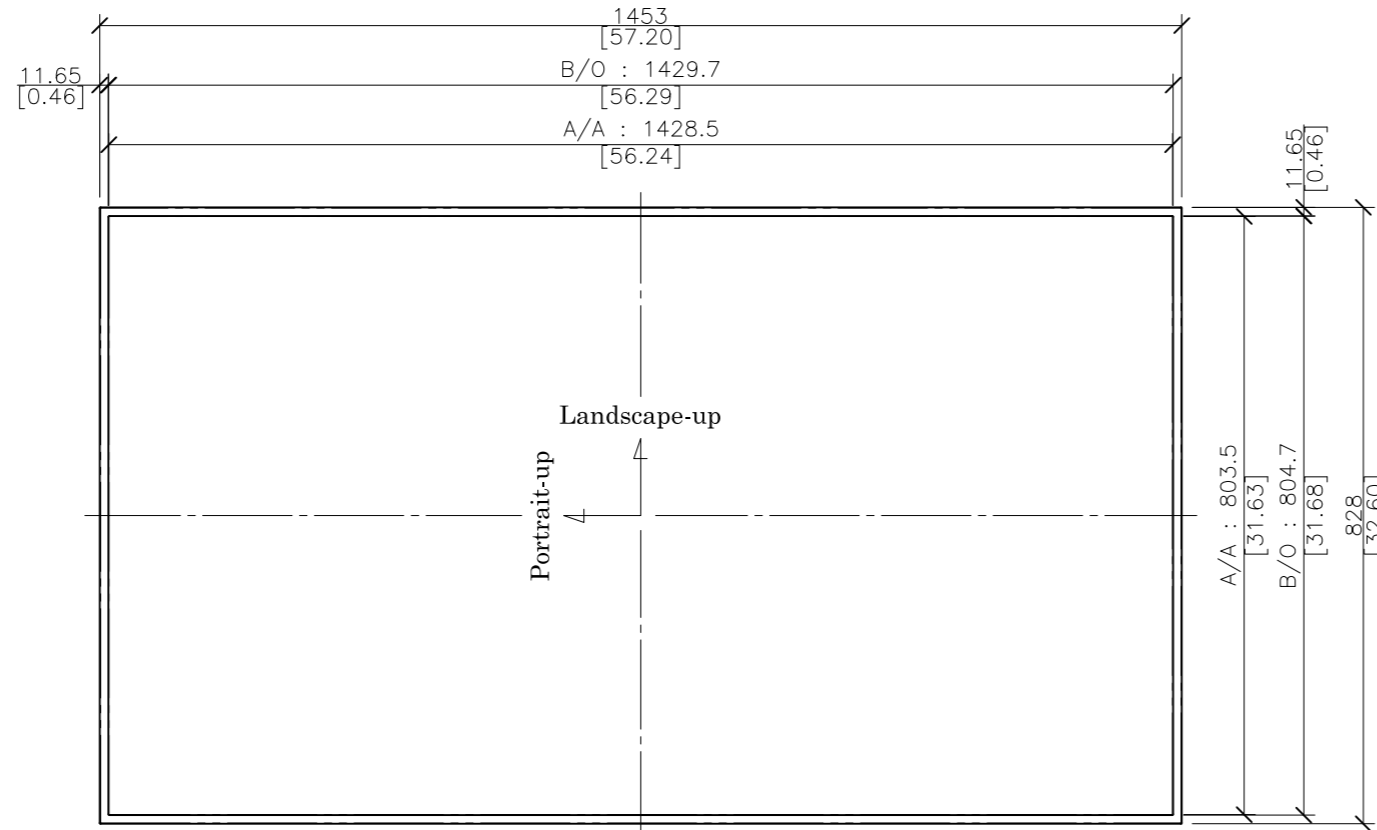
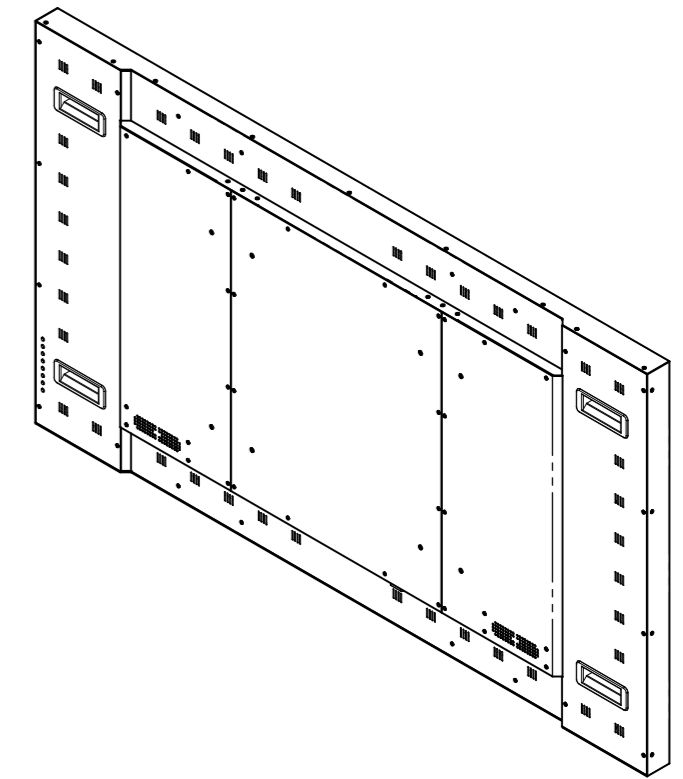
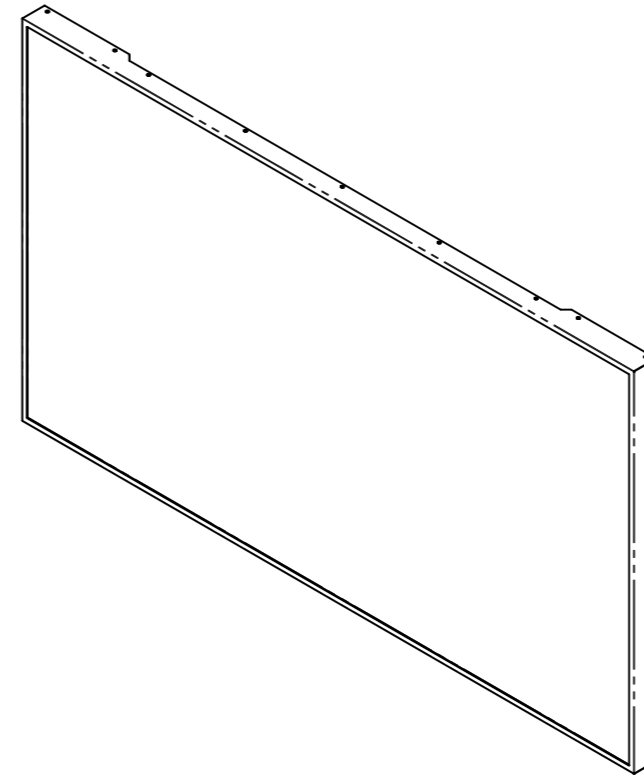
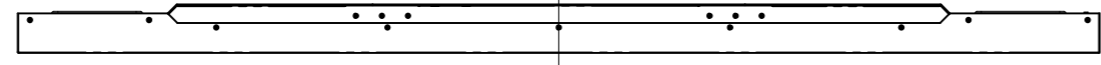


REV. NO		REV. HISTORY	LTR	ECO NO	DATE	APPR'L
DWG	PART					
00	00	INITIAL RELEASE	-	-	-	-



- NOTES.**
1. LCD Panel : 65"
 2. Material : E.G.I
 3. Color : Black

DRAWN	PLANNED	CHECKED	APPROVED	UNLESS OTHERWISE SPECIFIED ALL DIMENSION ARE IN MILLIMETERS TOLERANCES ARE: LINEAR : X ± 0.20 X ± 0.1 XX ± 0.01 ANGLES : ± 0.1° RADII UNLESS NOTED : R 0.3	ANGLE: 3rd.	TITLE : D65EM EXTERIOR VIEW	UNIT : mm	
S.W.SEO	S.H.JIANG	S.H.JIANG	Y.T.KIM		SCALE : 1/10		TYPE : PART	
'17.02.24	'17.02.24	'17.02.24	'17.02.24		MODEL NAME (CODE): D65EM_700cd		CUSTOMER: HDT	DWG REV : 00
HYUNDAI IT CO.,LTD.				FILE NAME : LAYOUT_D65EM(700)_170224.DWG	SHT NO : 1/1			