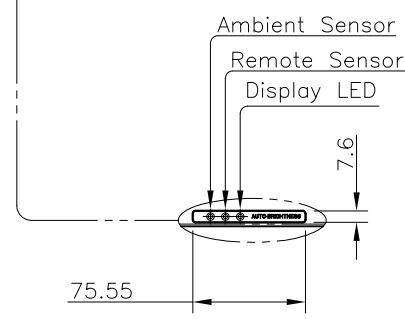
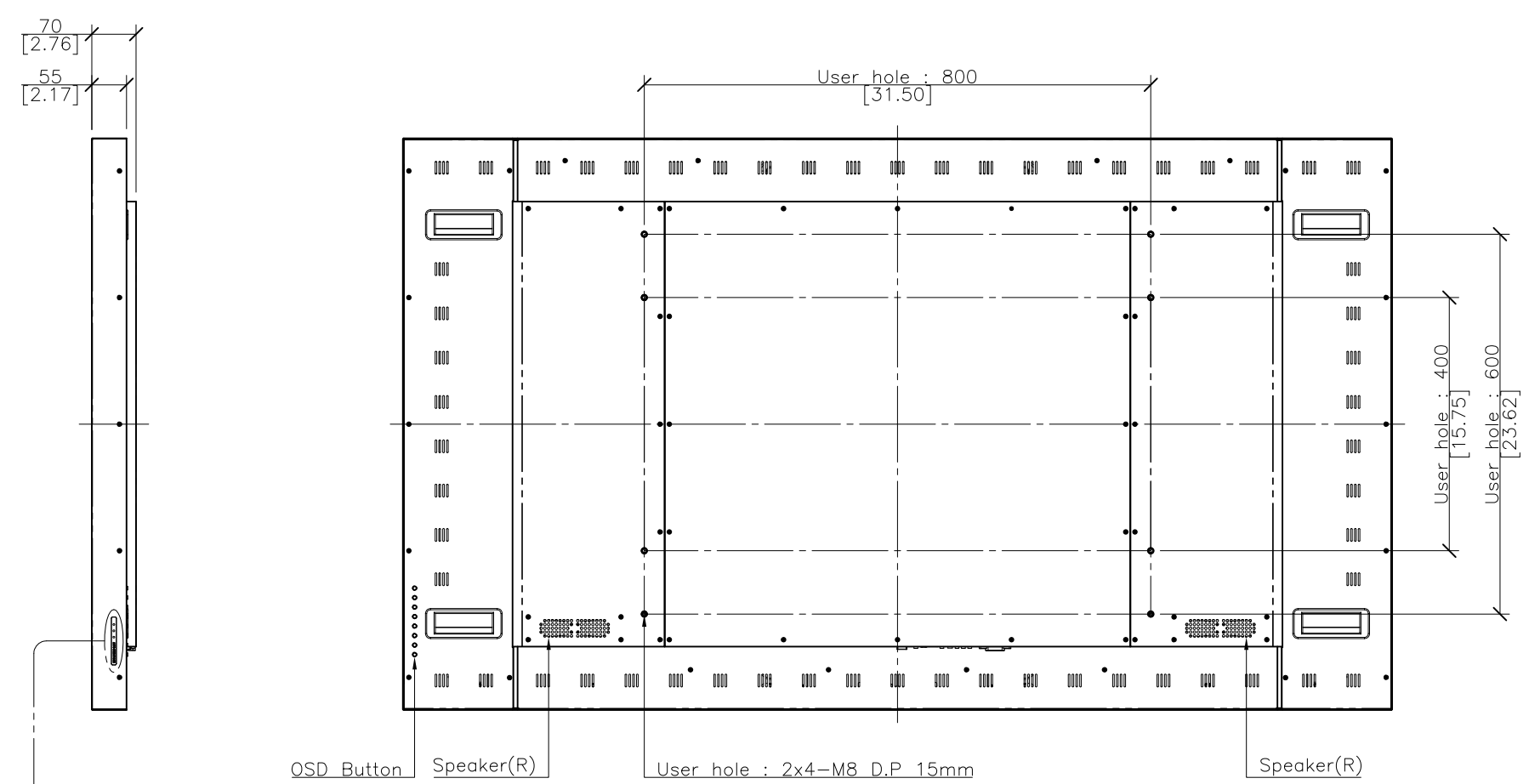
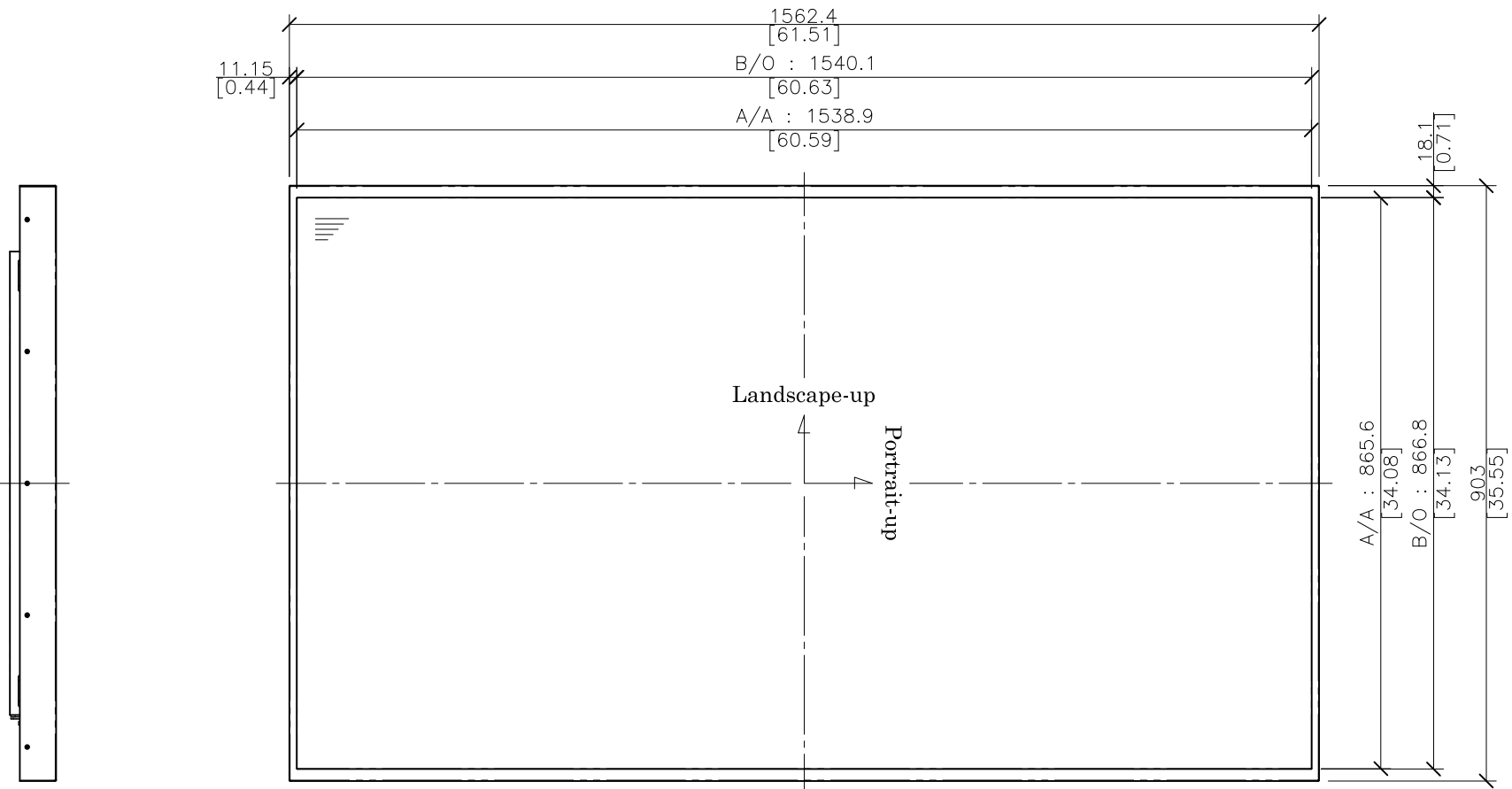
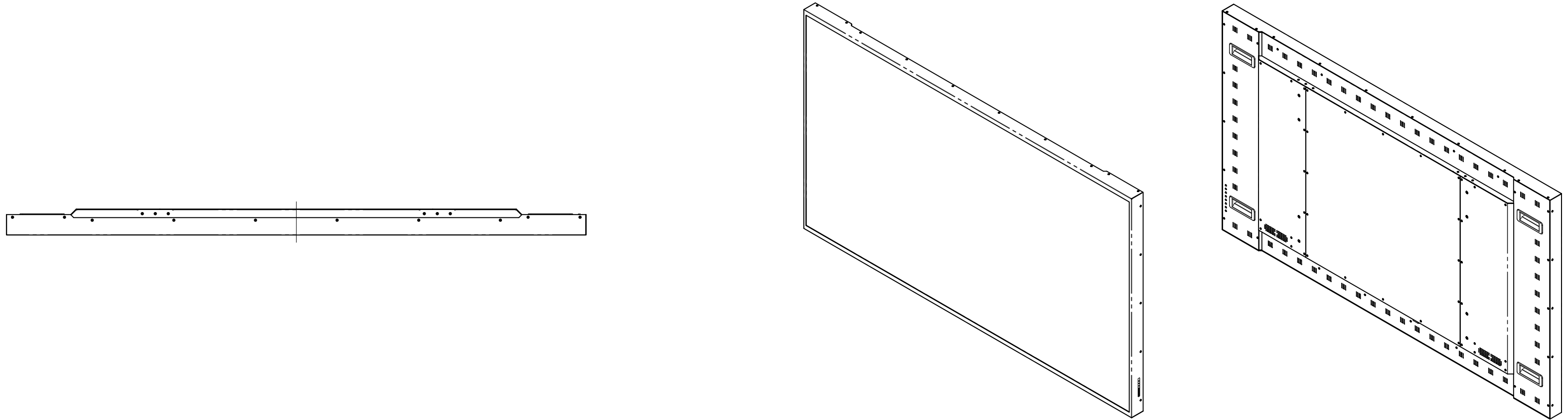


REV. NO		REV. HISTORY	LTR	ECO NO	DATE	APPR'L
DWG	PART					
00	00	INITIAL RELEASE	-	-	-	-



- NOTES**
1. LCD Panel : 70"
  2. Tempered Glass : 5.0t
  3. Material : E.G.I
  4. Color : Black

DRAWN	PLANNED	CHECKED	APPROVED	UNLESS OTHERWISE SPECIFIED ALL DIMENSION ARE IN MILLIMETERS	ANGLE 3rd.	TITLE	UNIT : mm
S.W.SEO	S.H.JANG	S.H.JANG	Y.T.KIM	TOLERANCES ARE: LINEAR : X ± 0.20 X ± 0.1 XX ± 0.01 ANGLE : ± 0.1° RADIH UNLESS NOTED : R 0.3	SCALE : 1/10	D70EMNG EXTERIOR VIEW	TYPE : PART
'17.05.11	'17.05.11	'17.05.11	'17.05.11	MODEL NAME (CODE): D70EMNG	CUSTOMER: HDT	DWG REV : 00	DWG(PART) NO. D70EMNG_001
<b>HYUNDAI IT CO.,LTD.</b>				FILE NAME : LAYOUT_D70EMN_170511.DWG	SHT NO : 1/1	SIZE : A2	

This drawing is the property of HYUNDAI IT CO.,LTD. and should not be disclosed to any third party without prior permission of HYUNDAI IT CO.,LTD..