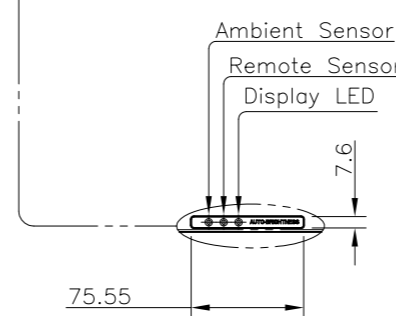
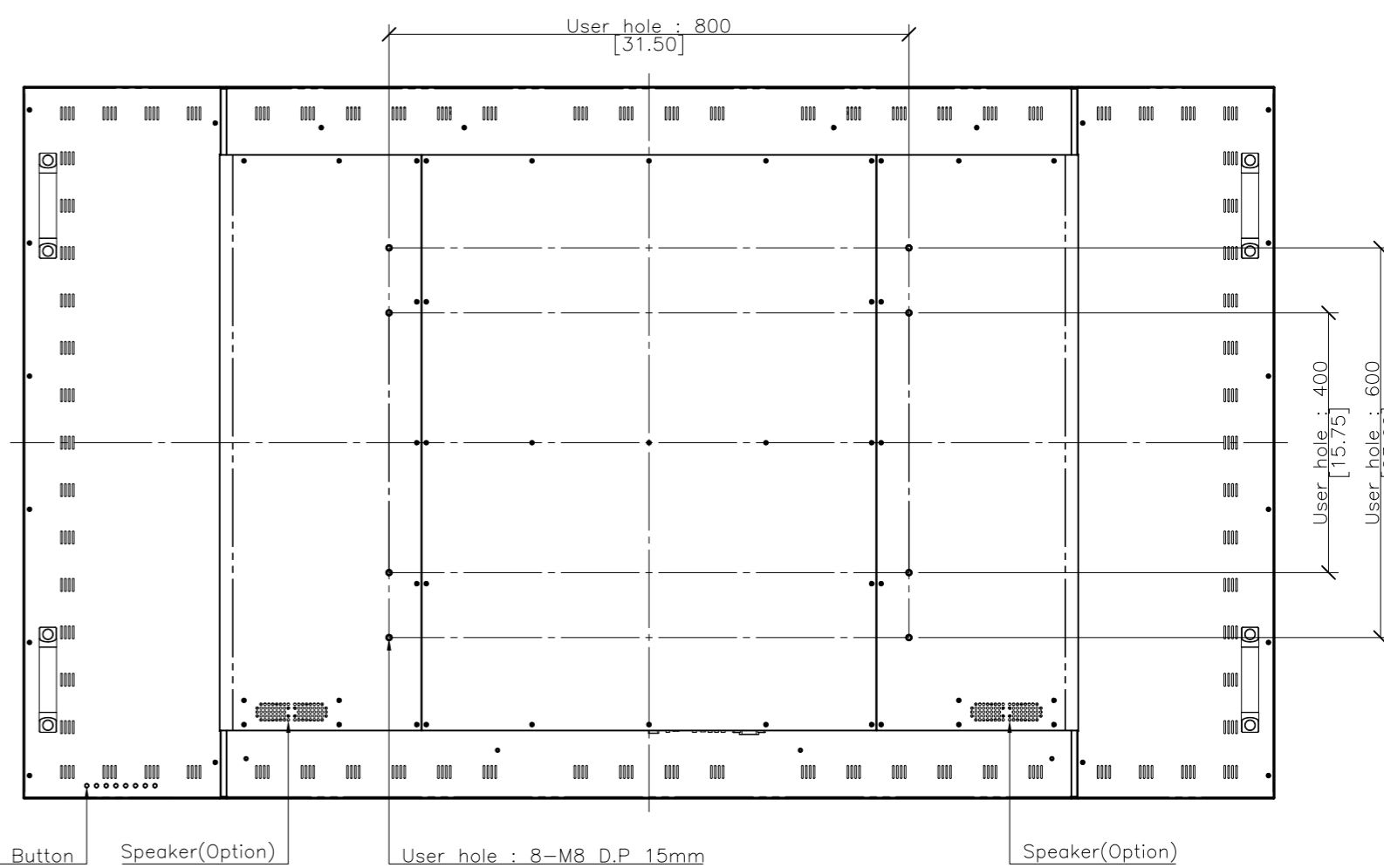
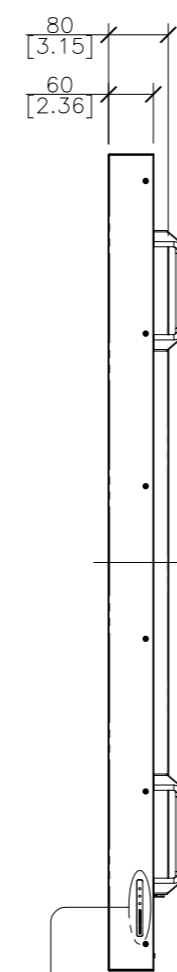
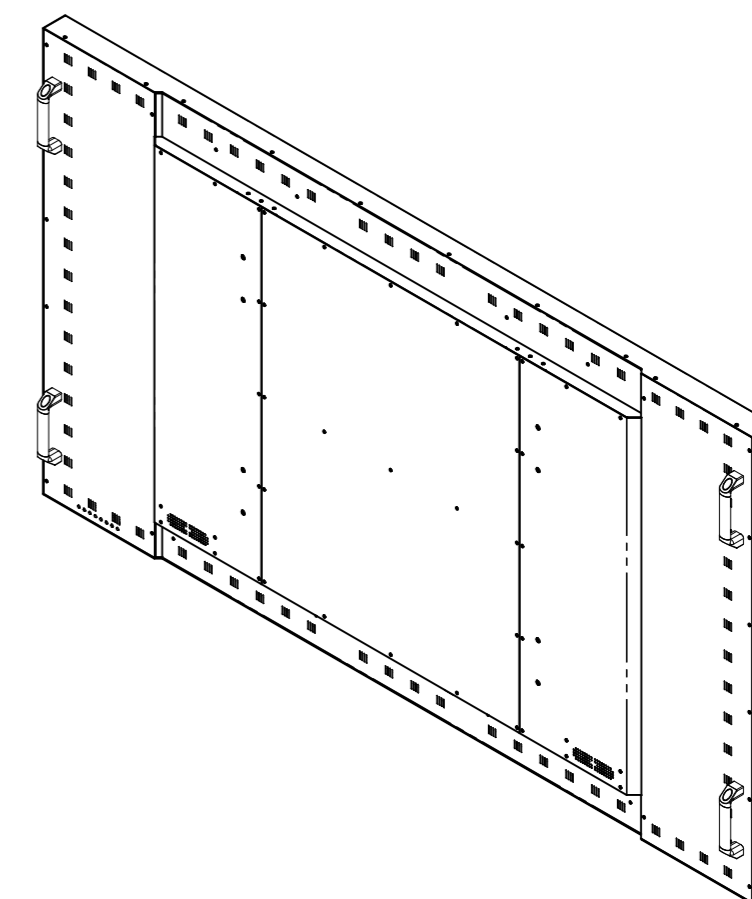
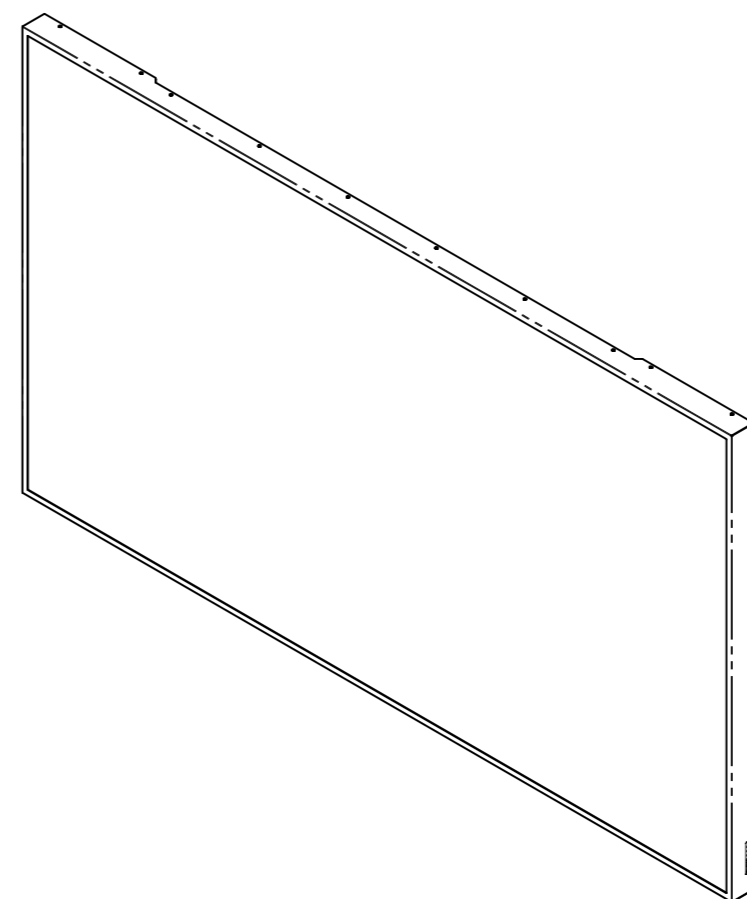
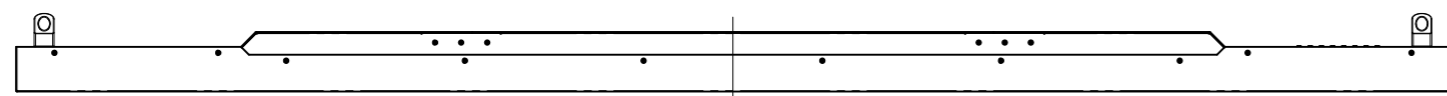


REV. NO		REV. HISTORY	LTR	ECO NO	DATE	APPR'L
DWG	PART					
00	00	INITIAL RELEASE	-	-	-	-



- NOTES.**
1. LCD Panel : 86" LED Back Light Panel
  2. Tempered Glass : 5.0t
  3. Material : E.G.I
  4. Color : Black

DRAWN	PLANNED	CHECKED	APPROVED	UNLESS OTHERWISE SPECIFIED ALL DIMENSION ARE IN MILLIMETERS	ANGLE 3rd.	TITLE : D86UMNG EXTERIOR VIEW	UNIT : mm
S.W.SEO	S.H.JANG	S.H.JANG	Y.T.KIM		SCALE : 1/10		TYPE : ASSY
'17.06.14	'17.06.14	'17.06.14	'17.06.14				
<b>HYUNDAI IT CO.,LTD.</b>				MODEL NAME (CODE): D86UMNG	CUSTOMER: HDT	DWG REV : 00	SIZE : A2
				FILE NAME : LAYOUT_D86XMNG_170614.DWG		SHT NO : 1/1	
						DWG(PART) NO. D86UMNG_001	