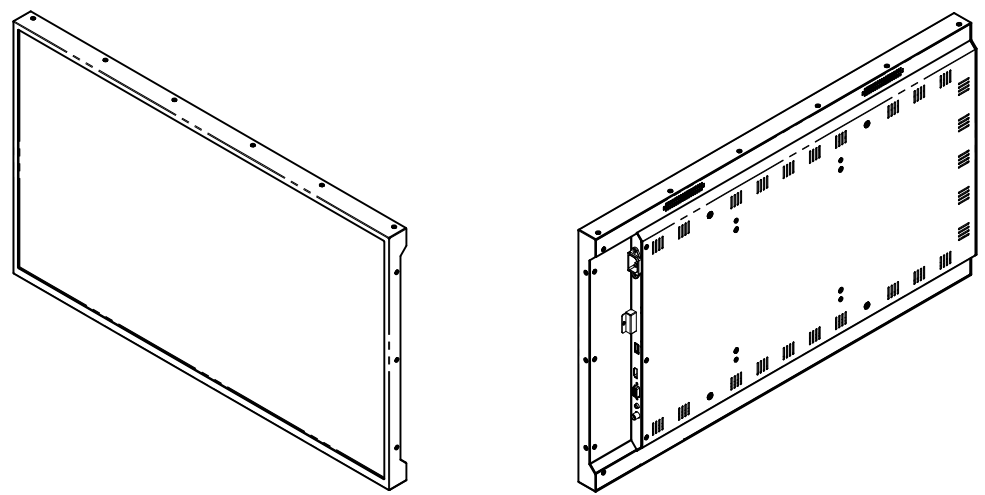
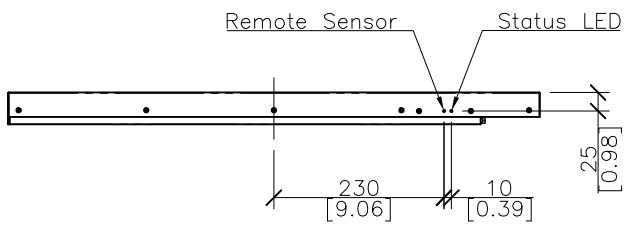
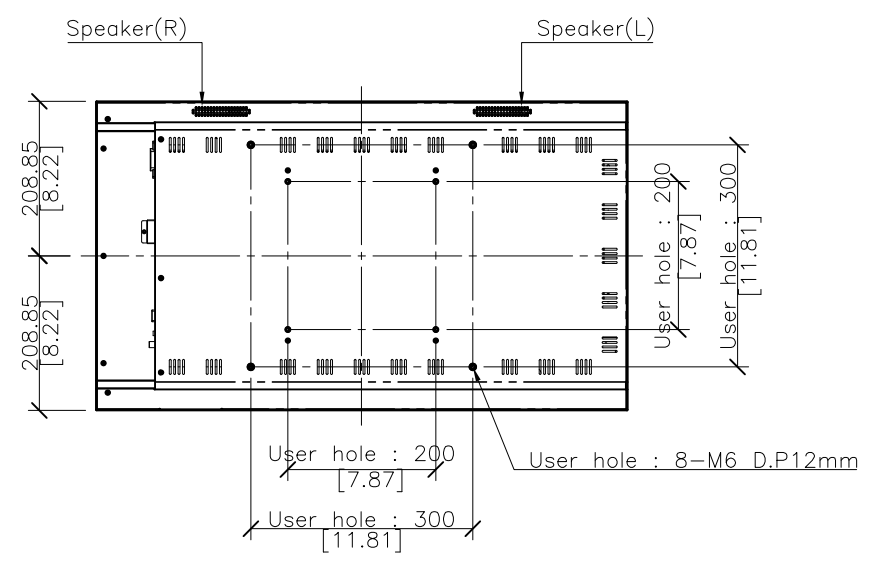
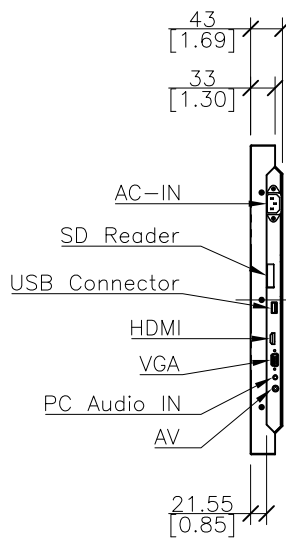
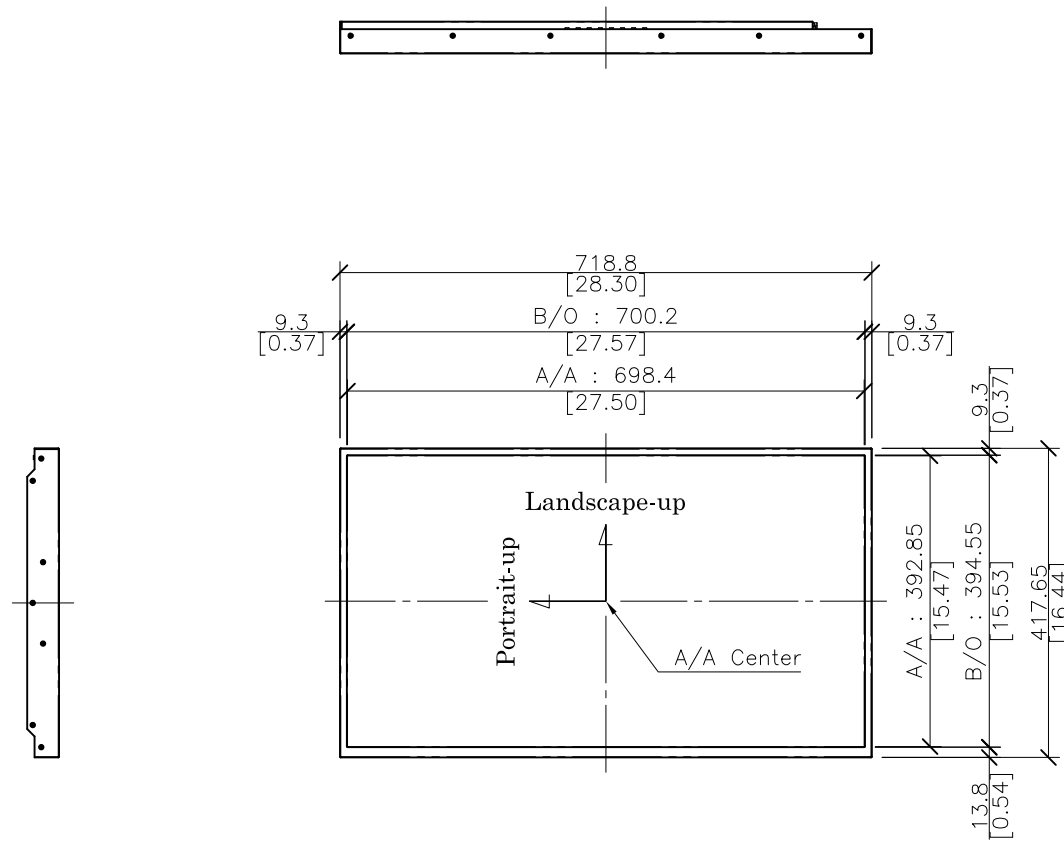


This drawing is the property of HYUNDAI IT CO.,LTD. and should not be disclosed to any third party without prior permission of HYUNDAI IT CO.,LTD..

REV. NO		REV. HISTORY	LTR	ECO NO	DATE	APPR'L
DWG	PART					
00	00	INITIAL RELEASE	-	-	-	-



- NOTES,**
- LCD Panel : 32" LED PANEL
 - Material : E.G.I

DRAWN	PLANNED	CHECKED	APPROVED	UNLESS OTHERWISE SPECIFIED ALL DIMENSION ARE IN MILLIMETERS	ANGLE 3rd.	TITLE : P32AMV EXTERIOR VIEW	UNIT : mm
S.W.SEO	S.H.JANG	S.H.JANG	Y.T.KIM		SCALE : 1/10		TYPE : ASSY
'20.04.03	'20.04.03	'20.04.03	'20.04.03	TOLERANCES ARE : LINEAR : X ± 0.2 X ± 0.1 XX ± 0.01 ANGLES : ± 0.1° RADII UNLESS NOTED : R 0.3	DWG REV : 00	DWG(PART) NO. P32AMV_001	SIZE : A3
HYUNDAI IT CO., LTD.				MODEL NAME (CODE): P32AMV	CUSTOMER. HDIT	SHT NO : 1/1	
				FILE NAME : LAYOUT_D32AM_BOE_SERIES_200403.DWG			