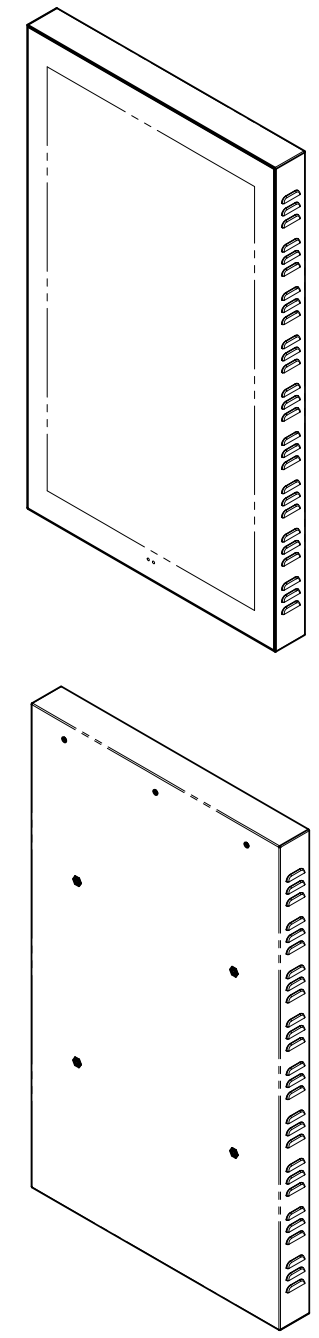
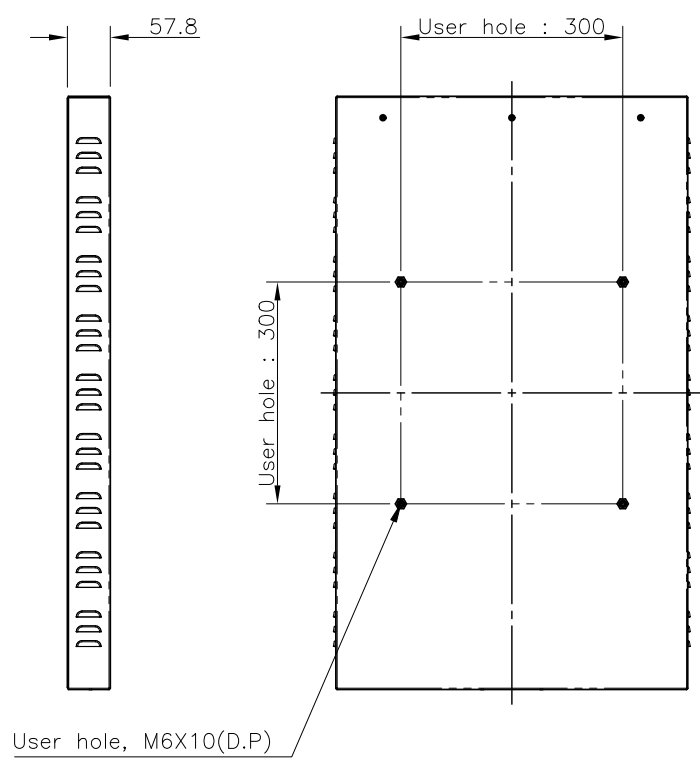
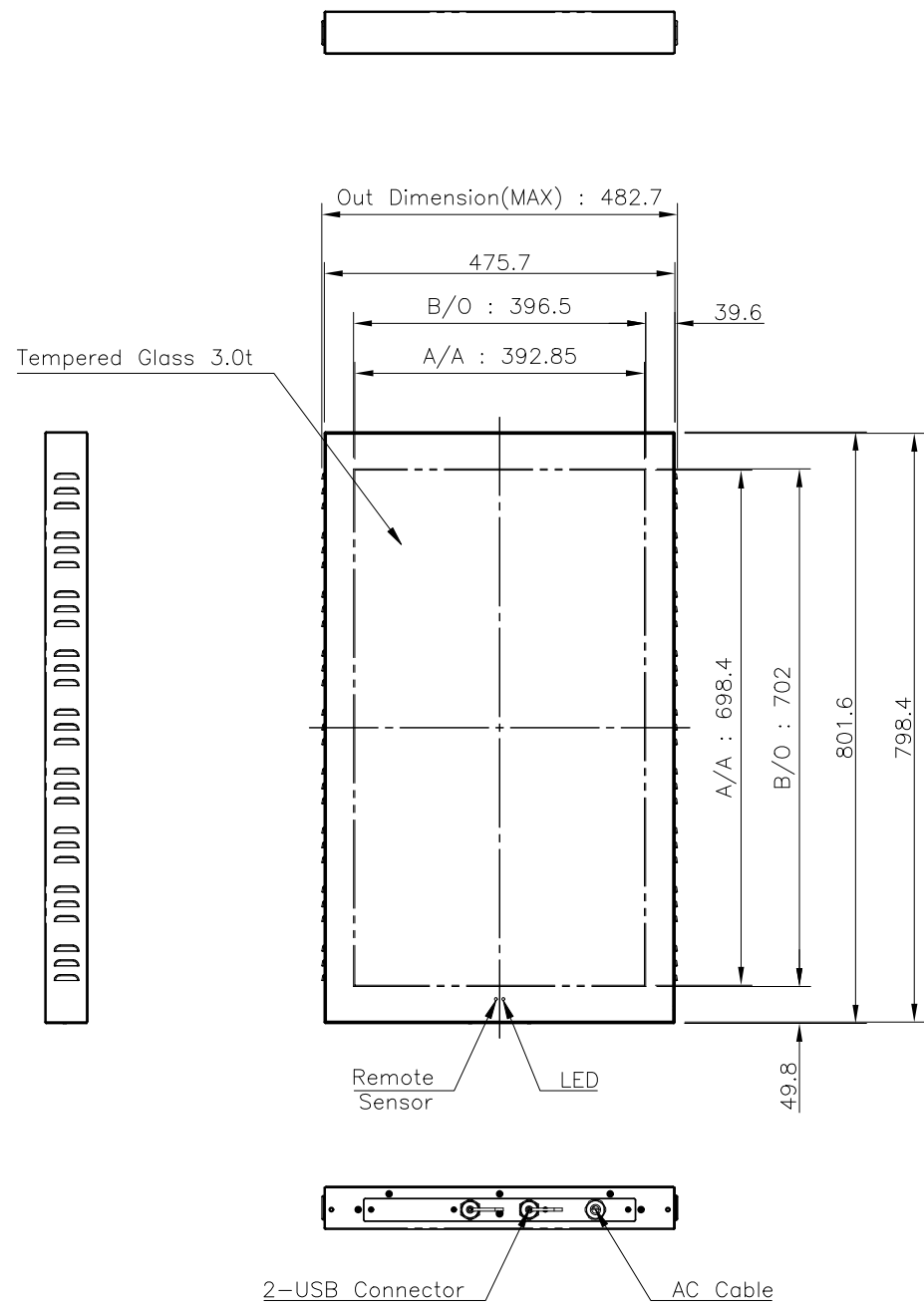


This drawing is the property of HYUNDAI IT CO.,LTD. and should not be disclosed to any third party without prior permission of HYUNDAI IT CO.,LTD..

REV. NO		REV. HISTORY	LTR	ECO NO	DATE	APPR'L
DWG	PART					
00	00	INITIAL RELEASE	-	-	-	-



- NOTES,**
1. LCD Panel : 32"
 2. Material : E.G.I (Steel)
 3. Cabinet Color : BLACK
 4. Tempered Glass : 3.0t

DRAWN	PLANNED	CHECKED	APPROVED	UNLESS OTHERWISE SPECIFIED ALL DIMENSION ARE IN MILLIMETERS	ANGLE. 3rd.	TITLE : H321MT(PORTRAIT) EXTERIOR VIEW	UNIT : mm
S.W.SEO	S.H.JANG	S.H.JANG	Y.T.KIM	TOLERANCES ARE : LINEAR : X ± 0.2 X ± 0.1 XX ± 0.01 ANGLES : ± 0.1° RADII UNLESS NOTED : R 0.3	SCALE : 1/10		TYPE : ASSY
'18.07.04	'18.07.04	'18.07.04	'18.07.04			DWG(PART) NO. H321MT_001	SIZE : A3
HYUNDAI IT CO., LTD.				MODEL NAME (CODE): H321MT	CUSTOMER: KYODOCOM	DWG REV : 00	
				FILE NAME : LAYOUT_H321M_Z321M_SERIES_180704.DWG		SH'T NO : 1/1	