

SPECIFICATIONS

Model	D65AM	
Panel	Screen Size (diagonal)	65"
	Active Display Area (inch mm)	56.24 x 31.63 1428.5 x 803.52
	Resolution	1920 x 1080
	Aspect Ratio	16 : 9
	Display Colors	16.7M
	Brightness (cd/m ² ; typ.)	350
	Contrast Ratio	4000:1
	Response Time (ms; GTG)	6.5
	Viewing Angle	178° / 178°
	Lifetime (hours)	30,000
	Backlight type	LED
Resolution	Monitor	1920 x 1080
	DTV	1080p
Input	1 x DP(Optional) 1 x HDMI 1 x DVI 1 x VGA(D-Sub) 1 x IR 1 x RS232C	
Output	1 x DVI 1 x IR 1 x RS232C Audio Line Out Speaker (Ready)	
Power	Input Voltage	100 – 240V AC
	Power consumption	150
Features	PIR Sensor (Motion detection)	Option
	Auto Power Control(DPMS)	Yes
Operation	Temperature (°C)	0 - 40
	Humidity (%)	20 - 80
	OSD Language	10 Lang
Dimension	Set (W x H x D) , in mm	
	57.39 x 32.87 x 2.87 1457.7 x 834.9 x 73	
Bezel Size (U/D/L/R), in mm	0.52 / 0.60 / 0.52 / 0.52 13.15 / 15.25 / 13.15 / 13.15	
Wall Mounting (WxH) mm	400 x 400 / 600 x 400 (M8)	
Weight	Set (lb kg)	T.B.D

FEATURES
LED Backlight

HYUNDAI's public displays with LED backlight bring the advantage of up to 40% lower power consumption, compared to displays with CCFL backlight.

Easy operating OSD menu, Remote control

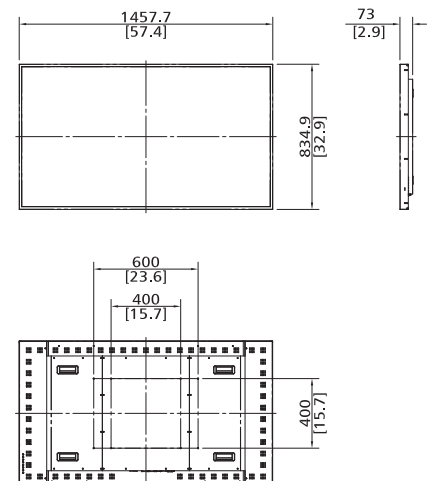
In order to setup a multi display wall, the single units are linked by a daisy chain connection over DVI interface. The configuration of each display can be easily set-up over the on-screen menu or the RS232C interface.

Slim Design

These products enable the slim design.

DIMENSIONS

[Unit: mm[inch]]



Specifications and design are subject to change without notice. See our website for detailed information.

UPDATE : OCT. 2015

HEAD OFFICE - HYUNDAI IT CO., LTD.
 S-20 Garden5 Tool 8F, Chungmin-ro, Songpa-gu, Seoul,
 138-962 Korea
 Tel. +82 70 7008 0110 E-mail: prio123@hyundaiit.com
 www.hdit.co.kr

HYUNDAI IT AMERICA CORP.
 2051 Junction AVE., Suite 112 San Jose, CA 95131, USA
 Tel. +1 408 954 8920 email : sales@hyundaita.com
 www.hyundaiit.com

HYUNDAI IT EUROPE GMBH
 Borsig Str. 11-13
 65205 Wiesbaden, Germany
 Tel. +49(0) 6122-70342-10 email : info@hyundaiit.eu
 www.hyundaiit.eu

HYUNDAI IT JAPAN
 Kawaziri Bldg. 2F, 534 Waseda Tsurumakicho,
 Shinjuku-ku, Tokyo, Japan
 Tel. +81 3 6273 9652 email : sales@hyundaiit.co.jp
 www.hyundaiit.com